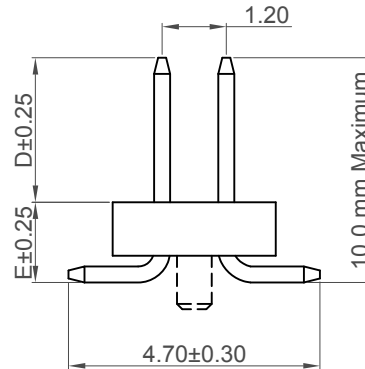
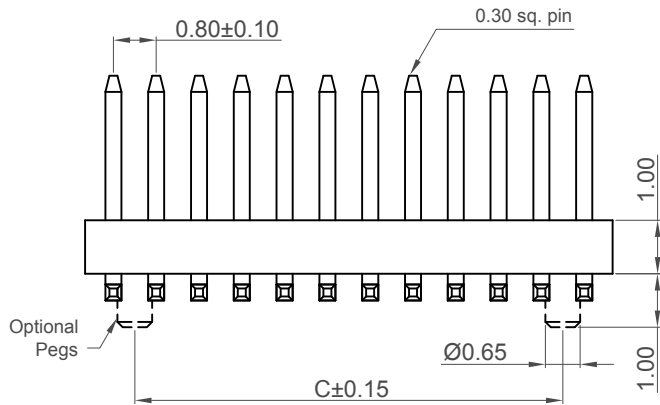
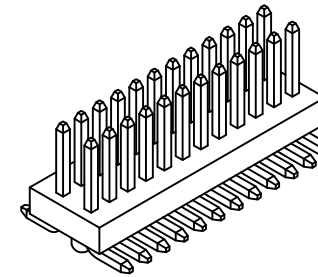


Recommended P.C.B Layout

▨ Solder Area



Specifications

Material

Contact: Phosphor Bronze

Insulator:

Standard: Polymer, LCP, UL 94-V0

Electrical

Current Rating: 0.5 Amp per pin

Insulation Resistance: 500 MΩ min

Contact Resistance: 20 mΩ max.

Dielectric Withstand Voltage: AC 200 V

Mechanical & Environmental

Operating Temperature: -40°C to +105°C

Soldering Process

LCP (Standard) -

IR Reflow: 260°C for 10 sec.

Wave: 250°C for 5 -10 sec

Manual Solder: 350°C for 3-5 sec

Mates with (Subject to pin length)

BB060

| Number of Contacts | Dimensions |       |       |
|--------------------|------------|-------|-------|
|                    | A          | B     | C     |
| 6                  | 1.60       | 2.66  | 0.80  |
| 8                  | 2.40       | 3.46  | 1.60  |
| 10                 | 3.20       | 4.26  | 2.40  |
| 12                 | 4.00       | 5.06  | 3.20  |
| 14                 | 4.80       | 5.86  | 4.00  |
| 16                 | 5.60       | 6.66  | 4.80  |
| 18                 | 6.40       | 7.46  | 5.60  |
| 20                 | 7.20       | 8.26  | 6.40  |
| 22                 | 8.00       | 9.06  | 7.20  |
| 24                 | 8.80       | 9.86  | 8.00  |
| 26                 | 9.60       | 10.66 | 8.80  |
| 28                 | 10.40      | 11.46 | 9.60  |
| 30                 | 11.20      | 12.26 | 10.40 |
| 32                 | 12.00      | 13.06 | 11.20 |
| 34                 | 12.80      | 13.86 | 12.00 |
| 36                 | 13.60      | 14.66 | 12.80 |
| 38                 | 14.40      | 15.46 | 13.60 |
| 40                 | 15.20      | 16.26 | 14.40 |
| 42                 | 16.00      | 17.06 | 15.20 |
| 44                 | 16.80      | 17.86 | 16.00 |
| 46                 | 17.60      | 18.66 | 16.80 |
| 48                 | 18.40      | 19.46 | 17.60 |
| 50                 | 19.20      | 20.26 | 18.40 |
| 52                 | 20.00      | 21.06 | 19.20 |
| 54                 | 20.80      | 21.86 | 20.00 |
| 56                 | 21.60      | 22.66 | 20.80 |
| 58                 | 22.40      | 23.46 | 21.60 |
| 60                 | 23.20      | 24.26 | 22.40 |
| 62                 | 24.00      | 25.06 | 23.20 |
| 64                 | 24.80      | 25.86 | 24.00 |
| 66                 | 25.60      | 26.66 | 24.80 |
| 68                 | 26.40      | 27.46 | 25.60 |
| 70                 | 27.20      | 28.26 | 26.40 |
| 72                 | 28.00      | 29.06 | 27.20 |
| 74                 | 28.80      | 29.86 | 28.00 |
| 76                 | 29.60      | 30.66 | 28.80 |
| 78                 | 30.40      | 31.46 | 29.60 |
| 80                 | 31.20      | 32.26 | 30.40 |
| 82                 | 32.00      | 33.06 | 31.20 |
| 84                 | 32.80      | 33.86 | 32.00 |
| 86                 | 33.60      | 34.66 | 32.80 |
| 88                 | 34.40      | 35.46 | 33.60 |
| 90                 | 35.20      | 36.26 | 34.40 |
| 92                 | 36.00      | 37.06 | 35.20 |
| 94                 | 36.80      | 37.86 | 36.00 |
| 96                 | 37.60      | 38.66 | 36.80 |
| 98                 | 38.40      | 39.46 | 37.60 |
| 100                | 39.20      | 40.26 | 38.40 |

Ordering Grid



No. of Contacts

06 to 100  
00 = 100

Contact Plating

A = Gold Flash (Standard)

Locating Peg

0 = No Peg  
1 = With Peg

Dimension D (1/100mm)

(Post Height)

0270 = 2.70mm (Standard)

or specify Dimension D

e.g. 2.50mm = 0250

(Minimum 0150 = 1.50mm)

(Maximum 0800 = 8.00mm)

Packing Options

B = Tape and Reel with Cap (Standard)

D = Tube (Unavailable in 6 & 8 Contacts)

E = Tube with Cap (Unavailable in 6 & 8 Contacts)

G = Box (6 & 8 Contacts only)

Insulator Material

L = LCP (Standard)

Dimension E (1/100mm)

(Top of Insulator to Bottom of Pin)

0150 = 1.50mm (Standard)

or specify Dimension E

e.g. 2.50mm = 0250

(Minimum 0130 = 1.30mm)

|              |                |                                                                   |                      |
|--------------|----------------|-------------------------------------------------------------------|----------------------|
| Part Number  |                | Product Description                                               |                      |
| BB080        |                | 0.8mm x 1.2mm Pitch Pin Header, Dual Row, Surface Mount, Vertical |                      |
| Drawing Date |                | 18th September 2009                                               |                      |
| By           | CC             | Tolerances (Except as Noted)                                      | Units:               |
| Detail       | BB080<br>D PCN | Length X ± 0.30<br>X.X ± 0.25<br>X.XX ± 0.15<br>X.XXX ± 0.10      | Metric (mm)          |
| Revision     | D1             | Angle X° ± 5.0°<br>X.X° ± 3.0°<br>X.XX° ± 2.0°<br>X.XXX° ± 1.0°   | 3rd Angle Projection |
| Date         | 17/01/18       |                                                                   |                      |



This drawing is confidential and copyright of Global Connector Technology, Ltd (GCT). This drawing must not be copied or disclosed without written consent. E & OE



www.gct.co

|              |             |               |
|--------------|-------------|---------------|
| Not to Scale | Drawn By AE | Sheet No. 1/1 |
|--------------|-------------|---------------|

H  
G  
F  
E  
D  
C  
B  
A

1 2 3 4 5 6 7 8