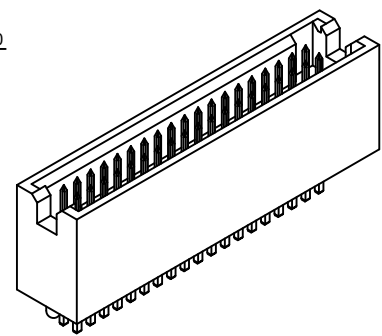
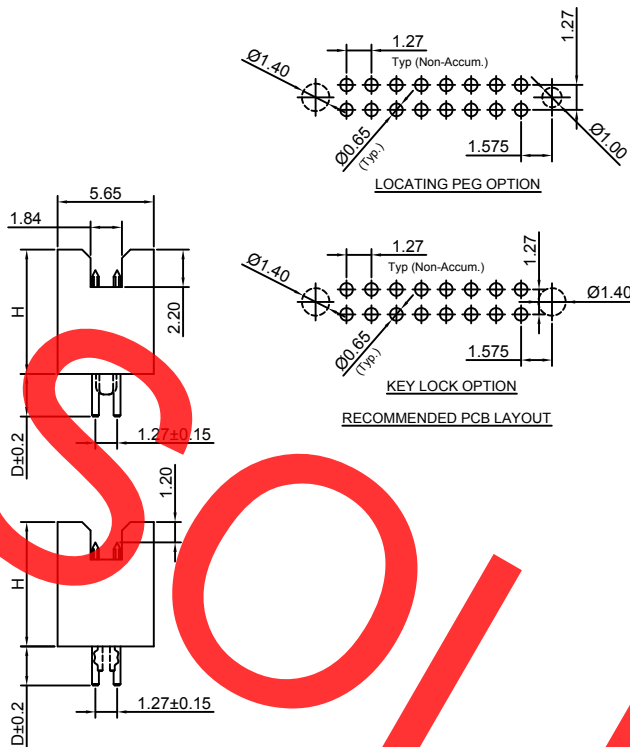
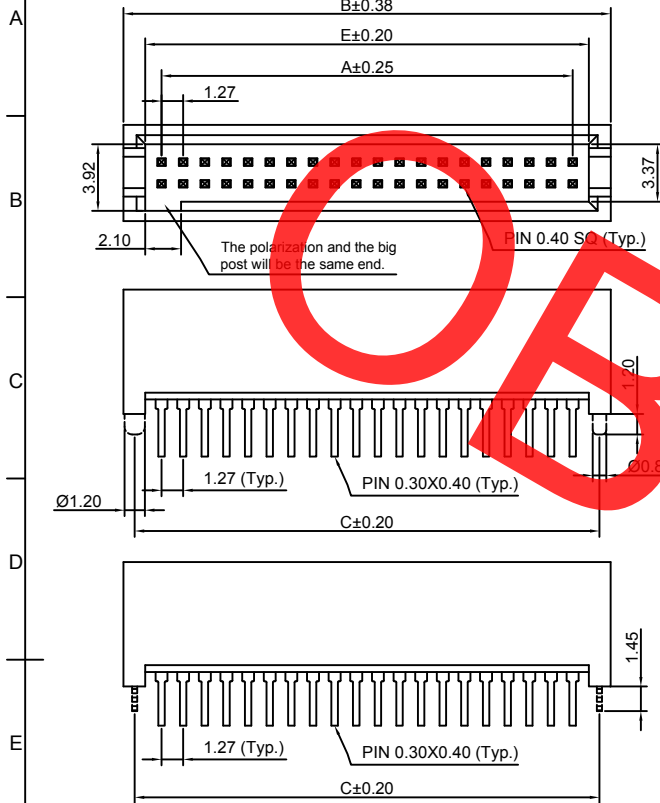


Global Connector Technology Ltd. - BD031: 1.27mm PITCH SHROUDED PIN HEADER, DUAL ROW, THROUGH HOLE, VERTICAL



CONTACTS	DIMENSIONS			
	A	B	C	E
10	5.08	9.55	8.23	6.95
12	6.35	10.82	9.50	8.22
14	7.62	12.09	10.77	9.49
16	8.89	13.36	12.04	10.76
18	10.16	14.63	13.31	12.03
20	11.43	15.90	14.58	13.30
22	12.70	17.17	15.85	14.57
24	13.97	18.44	17.12	15.84
26	15.24	19.71	18.39	17.11
28	16.51	20.98	19.66	18.38
30	17.78	22.25	20.93	19.65
32	19.05	23.52	22.20	20.92
34	20.32	24.79	23.47	22.19
36	21.59	26.06	24.74	23.46
38	22.86	27.33	26.01	24.73
40	24.13	28.60	27.28	26.00
42	25.40	29.87	28.55	27.27
44	26.67	31.14	29.82	28.54
46	27.94	32.41	31.09	29.81
48	29.21	33.68	32.36	31.08
50	30.48	34.95	33.63	32.35
52	31.75	36.22	34.90	33.62
54	33.02	37.49	36.17	34.89
56	34.29	38.76	37.44	36.16
58	35.56	40.03	38.71	37.43
60	36.83	41.30	39.98	38.70
62	38.10	42.57	41.25	39.97
64	39.37	43.84	42.52	41.24
66	40.64	45.11	43.79	42.51
68	41.91	46.38	45.06	43.78
70	43.18	47.65	46.33	45.05
72	44.45	48.92	47.60	46.32
74	45.72	50.19	48.87	47.59
76	46.99	51.46	50.14	48.86
78	48.26	52.73	51.41	50.13
80	49.53	54.00	52.68	51.40
82	50.80	55.27	53.95	52.67
84	52.07	56.54	55.22	53.94
86	53.34	57.81	56.49	55.21
88	54.61	59.08	57.76	56.48
90	55.88	60.35	59.03	57.75
92	57.15	61.62	60.30	59.02
94	58.42	62.89	61.57	60.29
96	59.69	64.16	62.84	61.56
98	60.96	65.43	64.11	62.83
100	62.23	66.70	65.38	64.10
102	63.50	67.97	66.65	65.37
104	64.77	69.24	67.92	66.64
106	66.04	70.51	69.19	67.91
108	67.31	71.78	70.46	69.18
110	68.58	73.05	71.73	70.45
112	69.85	74.32	73.00	71.72
114	71.12	75.59	74.27	72.99
116	72.39	76.86	75.54	74.26
118	73.66	78.13	76.81	75.53
120	74.93	79.40	78.08	76.80

Ordering Grid: **BD031** - XXX - X - X - X - XXX - L - X

No. of Contacts: 10 to 120, e.g. 010 = 10
 Contact Plating: **A = Gold Flash All Over (Standard)**, **B = Selective Gold Flash Contact Area/Tin On Tail**
 C = Tin All Over
 G = 10µ" Gold Contact Area/Tin On Tail
 I = 30µ" Gold Contact Area/Tin On Tail
 Insulator Height 'H': **S = 5.70mm (Standard)**, T = 7.30mm
 Locating Peg: 0 = No Peg/No Key Lock, 1 = With Peg, 2 = With Key Lock
 Dimension D (1/100mm) (Tail Length): **0230 = 2.30mm (Standard)** or specify Dimension D, e.g. 0250 = 2.50mm
 Packing Options: **D = Tube (Standard)**, H = Tray
 Insulator Material: **L = LCP**
REQUEST SAMPLES AND QUOTATION

SPECIFICATIONS 规格:
 CURRENT RATING 电流额定值: 1 AMP
 INSULATOR RESISTANCE 绝缘电阻值: 1000 MΩ MIN.
 DIELECTRIC WITHSTANDING 耐电压: AC 300 V
 CONTACT RESISTANCE 接触电阻值: 20 mΩ Max.
 OPERATING TEMPERATURE 工作温度: -40°C TO +105°C
 CONTACT MATERIAL 端子物料: COPPER ALLOY
 INSULATOR MATERIAL 绝缘体物料: STANDARD 标准物料: POLYESTER 聚酯, LCP, UL 94V-0
 SOLDERING PROCESS 可焊性: IR REFLOW 回流焊: 260°C for 10 sec. △, WAVE 波峰焊: 250°C for 5-10 sec, MANUAL SOLDER 人工焊接: 350°C for 3-5 sec
 MATES WITH 配套之母座 (SUBJECT TO PIN LENGTH 在端子长度适合的条件下):
 BD065 - Allowing perfect polarisation
 - Non-Polarised mating connections available - contact GCT for details

By	AE	AE	AJO	AJO
DETAIL	DRAWING RELEASE	INSULATOR INFO AMMENDED	B2B PCN002 1.27mm HEADER N6T REMOVAL	BD031 X PCN
REV DATE	A 27/03/08	B 27/07/09	C 18/03/13	X 15/05/14



Tolerances (Except as noted)	Part Number:-	Date:-
Dimensions in mm	BD031	30 MAR 08
Description:-	1.27mm PITCH SHROUDED PIN HEADER, DUAL ROW, THROUGH HOLE, VERTICAL	
Third Angle Projection	THIS DRAWING IS CONFIDENTIAL AND MUST NOT BE COPIED OR DISCLOSED WITHOUT WRITTEN CONSENT	

GCT
www.gct.co

Scale	Revision	Material	Drawn by	E & OE	Sheet No.
NTS	X	See Note	AE		1/1