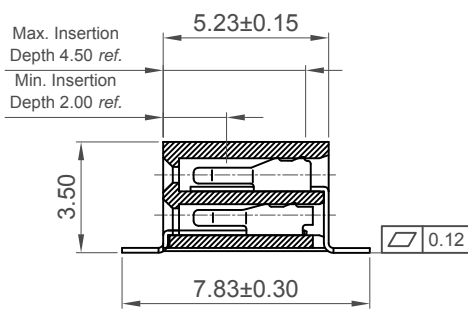
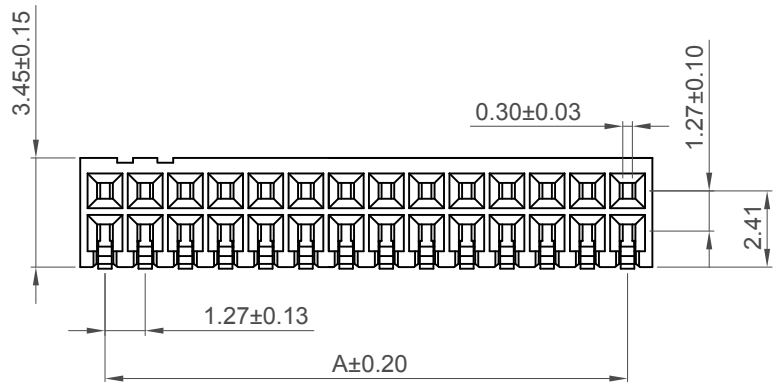


No. of Contacts	Dimensions	
	A	B
4	1.27	2.84
6	2.54	4.11
8	3.81	5.38
10	5.08	6.65
12	6.35	7.92
14	7.62	9.19
16	8.89	10.46
18	10.16	11.73
20	11.43	13.00
22	12.70	14.27
24	13.97	15.54
26	15.24	16.81
28	16.51	18.08
30	17.78	19.35
32	19.05	20.62
34	20.32	21.89
36	21.59	23.16
38	22.86	24.43
40	24.13	25.70
42	25.40	26.97
44	26.67	28.24
46	27.94	29.51
48	29.21	30.78
50	30.48	32.05
52	31.75	33.32
54	33.02	34.59
56	34.29	35.86
58	35.56	37.13
60	36.83	38.40
62	38.10	39.67
64	39.37	40.94
66	40.64	42.21
68	41.91	43.48
70	43.18	44.75
72	44.45	46.02
74	45.72	47.29
76	46.99	48.56
78	48.26	49.83
80	49.53	51.10



Specifications

Material

Insulator Material:
Polymer, LCP, UL 94V-0
Contact Terminal : Copper Alloy

Plating

See Ordering Grid

Electrical

Current Rating: 1A per pin
Contact Resistance: 20 mΩ max.
Insulating Resistance: 1000 MΩ min.
Dielectric Withstand Voltage: 300V AC

Soldering Process

IR Reflow: 260°C for 10 sec.
Wave: 250°C for 5-10 sec
Manual Solder: 350°C for 3-5 sec

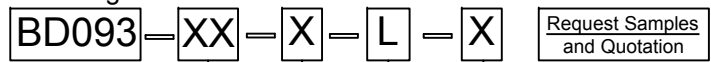
Mechanical & Environmental

Operating Temperature: -40°C to +105°C

Mates with (Subject to pin length)

BD030 BD035 BD038

Ordering Grid



No. of Contacts

04 to 80

Contact Plating

A = Gold Flash All Over (Standard)
B = Selective Gold Flash Contact Area/ Tin On Tail
C = Tin All Over
G = 10μ" Gold Contact Area/Tin On Tail
I = 30μ" Gold Contact Area/Tin On Tail

Packing Options

A = Tape and Reel (Standard)
D = Tube

Insulator Material

L = LCP

Part Number		Product Description	
BD093		1.27mm Pitch Socket, Dual Row, Surface Mount, Horizontal	
Drawing Date		23rd April 2008	
By	CC	Tolerances (Except as Noted)	Units:
Detail	BD093 D PCN	Length X. ± 0.30 X.X ± 0.20 X.XX ± 0.15 X.XXX ± 0.10	Metric (mm)
Revision	D1	Angle X.° ± 5° X.X° ± 3° X.XX° ± 2° X.XXX° ± 1°	3rd Angle Projection
Date	06/11/17		



This drawing is confidential and copyright of Global Connector Technology, Ltd (GCT). This drawing must not be copied or disclosed without written consent. E & OE



www.gct.co

Not to Scale	Drawn By ASE	Sheet No. 1/1
--------------	--------------	---------------