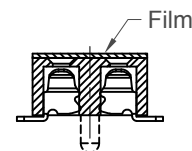
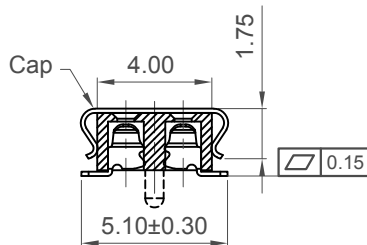
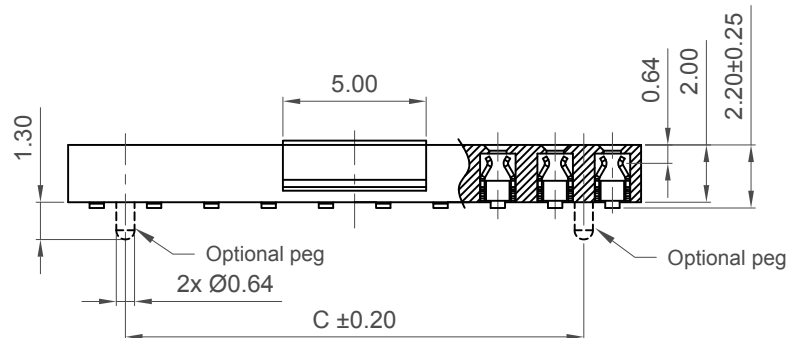


Recommended PCB Layout

▨ Solder Area



Single Peg for 4P Part only

Contacts	Dimensions		
	A	B	C
4	2.0	4.0	/
6	4.0	6.0	2.0
8	6.0	8.0	4.0
10	8.0	10.0	6.0
12	10.0	12.0	8.0
14	12.0	14.0	10.0
16	14.0	16.0	12.0
18	16.0	18.0	14.0
20	18.0	20.0	16.0
22	20.0	22.0	18.0
24	22.0	24.0	20.0
26	24.0	26.0	22.0
28	26.0	28.0	24.0
30	28.0	30.0	26.0
32	30.0	32.0	28.0
34	32.0	34.0	30.0
36	34.0	36.0	32.0
38	36.0	38.0	34.0
40	38.0	40.0	36.0
42	40.0	42.0	38.0
44	42.0	44.0	40.0
46	44.0	46.0	42.0
48	46.0	48.0	44.0
50	48.0	50.0	46.0
52	50.0	52.0	48.0
54	52.0	54.0	50.0
56	54.0	56.0	52.0
58	56.0	58.0	54.0
60	58.0	60.0	56.0
62	60.0	62.0	58.0
64	62.0	64.0	60.0
66	64.0	66.0	62.0
68	66.0	68.0	64.0
70	68.0	70.0	66.0
72	70.0	72.0	68.0
74	72.0	74.0	70.0
76	74.0	76.0	72.0
78	76.0	78.0	74.0
80	78.0	80.0	76.0

Specifications

Material
 Contact: Phosphor Bronze
 Insulator :
 Standard: Polyamide, Nylon 6T, UL 94V-0
 Options: Polymer, LCP, UL 94V-0

Electrical
 Current Rating: 2 Amp Per Pin
 Insulation Resistance: 1000 MΩ min
 Contact Resistance: 20 mΩ max.
 Dielectric Withstand Voltage: AC 500 V

Mechanical & Environmental
 Operating Temperature: -40°C to +105°C

Soldering Process:
 Nylon 6T (Standard)
 IR Reflow: 260°C for 10 sec.
 Wave: 230°C for 5-10 sec.
 Manual Solder : 350°C for 3-5 sec .
 LCP (Option)
 IR Reflow: 260°C for 10 sec.
 Wave: 250°C for 5-10 sec.
 Manual Solder: 350°C for 3-5 sec.

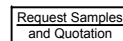
Mates with (Subject to pin length):
 BF030 BF045 BF050 BF055
 BF060 BF135 BF140 BF145

Ordering Grid



Contact Plating
 A = Gold Flash All Over (Standard)
 C = Tin All Over
 N = 30u" gold on contact area, gold flash on tail
 P = 10u" gold on contact area, gold flash on tail

Locating Peg
 0 = No Peg
 1 = With Peg



Packing Options
 C = Tape and Reel with Film (Standard)
 A = Tape and Reel
 B = Tape and Reel with Cap
 D = Tube
 E = Tube and Cap
 F = Tube and Film
Insulator Material
 N = Nylon 6T (Standard)
 L = LCP

Part Number		Product Description	
BF121		2.00mm Pitch Socket	
Drawing Date		Dual Row, Surface Mount, Dual Entry	
13th October 2020			
By	CC	Tolerances (Except as Noted)	Units:
Detail	Drawing Release	Length X. ± 0.30 X.X ± 0.25 X.XX ± 0.15 X.XXX ± 0.10	Metric (mm)
Revision	A	Angle X° ± 5° X.X° ± 3° X.XX° ± 2° X.XXX° ± 1°	RoHS COMPLIANT 2011/65/UE Deca-BDE
Date	13/10/20	3rd Angle Projection	This drawing is confidential and copyright of Global Connector Technology, Ltd (GCT). This drawing must not be copied or disclosed without written consent. E & OE



Not to Scale	Drawn By CC	Sheet No. 1/1
--------------	-------------	---------------