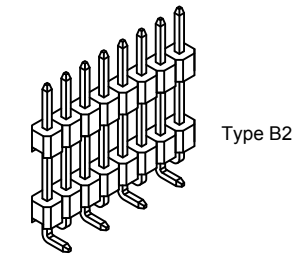
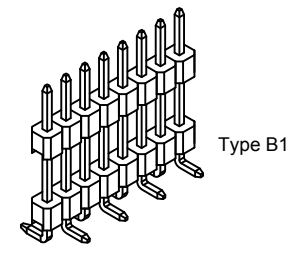
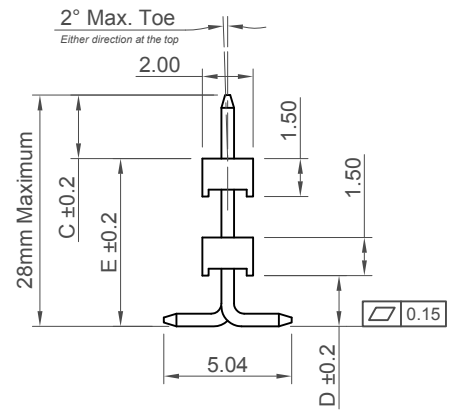
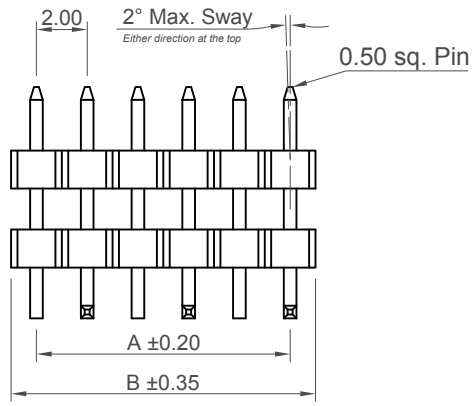


**Recommended PCB Layout**  
 Solder Area



**Specifications**

**Material**  
 Contact: Copper Alloy  
 Insulator:  
 Standard: Polyamide, Nylon 6T, UL 94V-0  
 Options: Polymer, LCP, UL 94V-0

**Plating**  
 See Ordering Grid

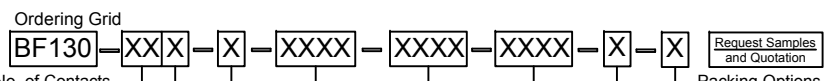
**Electrical**  
 Current Rating: 2 Amp Per Pin  
 Insulation Resistance: 1000 MΩ min  
 Contact Resistance: 20 mΩ max.  
 Dielectric Withstand Voltage: AC 500 V

**Mechanical & Environmental**  
 Operating Temperature: -40°C to +105°C

**Soldering Process:**  
 Nylon 6T (Standard) -  
 IR Reflow: 260°C for 10 sec.  
 Wave: 230°C for 5-10 sec.  
 Manual Solder: 350°C for 3-5 sec  
 LCP (Option) -  
 IR Reflow: 260°C for 10 sec.  
 Wave: 230°C for 5-10 sec.  
 Manual Solder: 350°C for 3-5 sec

**Mates with (Subject to pin length):**  
 BF070 BF085 BF086 BF087 BF088 BF090  
 BF085 Recommended mating length 3.00mm

Contacts	Dimensions	
	A	B
3	4.0	6.0
4	6.0	8.0
5	8.0	10.0
6	10.0	12.0
7	12.0	14.0
8	14.0	16.0
9	16.0	18.0
10	18.0	20.0
11	20.0	22.0
12	22.0	24.0
13	24.0	26.0
14	26.0	28.0
15	28.0	30.0
16	30.0	32.0
17	32.0	34.0
18	34.0	36.0
19	36.0	38.0
20	38.0	40.0
21	40.0	42.0
22	42.0	44.0
23	44.0	46.0
24	46.0	48.0
25	48.0	50.0
26	50.0	52.0
27	52.0	54.0
28	54.0	56.0
29	56.0	58.0
30	58.0	60.0
31	60.0	62.0
32	62.0	64.0
33	64.0	66.0
34	66.0	68.0
35	68.0	70.0
36	70.0	72.0
37	72.0	74.0
38	74.0	76.0
39	76.0	78.0
40	78.0	80.0



**Contact Plating**  
**A = Gold Flash All Over (Standard)**  
**B = Selective Gold Flash Contact Area/ Tin On Tail**  
**C = Tin All Over**  
**G = 10µ" Gold Contact Area/Tin On Tail**  
**I = 30µ" Gold Contact Area/Tin On Tail**  
**Type**  
 1 = Type B1  
 2 = Type B2  
**Dimension C (1/100mm) (Post Height)**  
**0300 = 3.00mm(Standard)**  
**0400 = 4.00mm(Standard)**  
 Or specify Dimension C (eg 0250 = 2.50mm)  
 (Maximum 1500 = 15.00mm)  
 (Minimum 0050 = 0.50mm)

**No. of Contacts**  
 03 to 40  
**Packing Options**  
**B = Tape & Reel with Cap (Standard)**  
**D = Tube (Standard where total height ≥25mm)**  
**E = Tube with Cap**  
**Insulator Material**  
**N = Nylon 6T (Standard)**  
**L = LCP**  
**Dimension E (1/100mm) (Stack Height)**  
**0750 = 7.50mm (Standard)**  
 Or specify Dimension E (eg 0250 = 2.50mm)  
 (Maximum 2000 = 20.00mm)  
**Dimension D (1/100mm) (PCB to Insulator)**  
**0125 = 1.25mm (Standard)**  
 Or specify Dimension D (eg 0250 = 2.50mm)  
 (Minimum 0050 = 0.50mm)

Part Number		Product Description	
BF130		2.00mm Pitch Elevated Pin Header	
Drawing Date		Single Row, Surface Mount	
31st October 2007			
By	CC	Tolerances (Except as Noted)	Units:
Detail	BF130 C PCN	Length X ± 0.30 C PCN XX ± 0.20 Revision C4 Date 11/09/17	Angle X° ± 5° XX° ± 2° XXX° ± 1° X.XXX° ± 0.5°
			Metric (mm)
			3rd Angle Projection
			RoHS COMPLIANT 2011/65/UEU Deca-BIDE
			This drawing is confidential and copyright of Global Connector Technology, Ltd (GCT). This drawing must not be copied or disclosed without written consent. E & OE

**GCT**  
 www.gct.co

Not to Scale | Drawn By LYH | Sheet No. 1/1