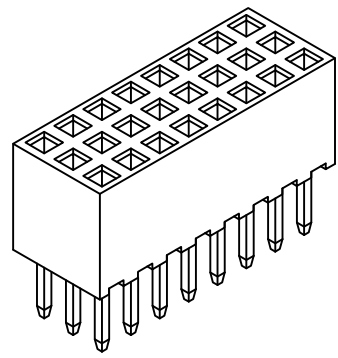
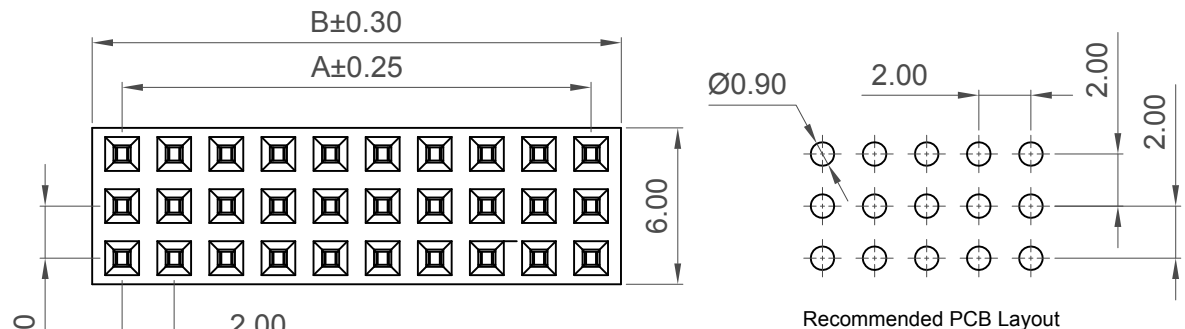


H  
G  
F  
E  
D  
C  
B  
A



Number of Contacts	Dimensions	
	A	B
6	2.00	4.30
9	4.00	6.30
12	6.00	8.30
15	8.00	10.30
18	10.00	12.30
21	12.00	14.30
24	14.00	16.30
27	16.00	18.30
30	18.00	20.30
33	20.00	22.30
36	22.00	24.30
39	24.00	26.30
42	26.00	28.30
45	28.00	30.30
48	30.00	32.30
51	32.00	34.30
54	34.00	36.30
57	36.00	38.30
60	38.00	40.30
63	40.00	42.30
66	42.00	44.30
69	44.00	46.30
72	46.00	48.30
75	48.00	50.30
78	50.00	52.30
81	52.00	54.30
84	54.00	56.30
87	56.00	58.30
90	58.00	60.30
93	60.00	62.30
96	62.00	64.30
99	64.00	66.30
102	66.00	68.30
105	68.00	70.30
108	70.00	72.30
111	72.00	74.30
114	74.00	76.30
117	76.00	78.30
120	78.00	80.30

**Specifications**

**Material**  
 Contact: Phosphor Bronze  
 Insulator:  
 Standard: Polyamide, Nylon 6T, UL 94V-0  
 Options: Polymer, LCP, UL 94V-0

**Plating**  
 See Ordering Grid

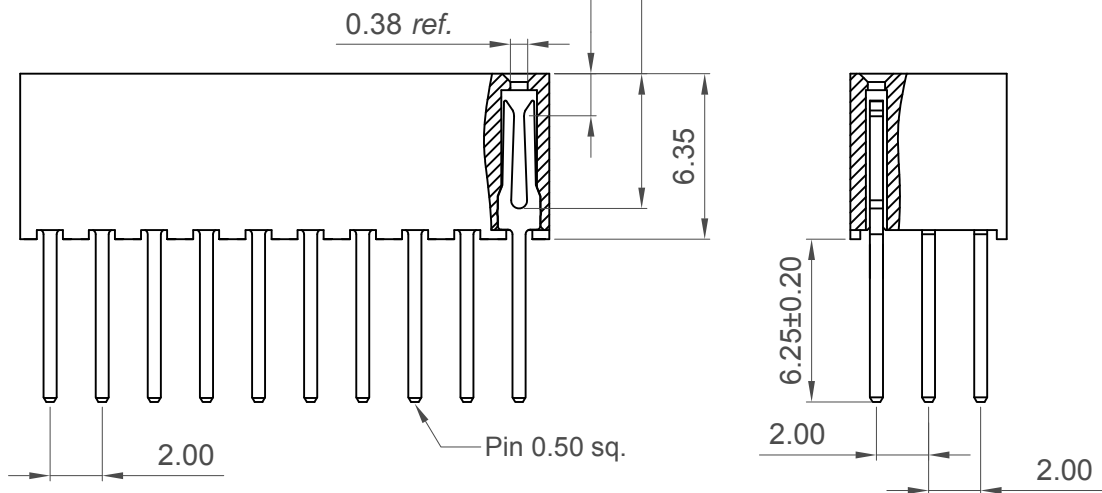
**Electrical**  
 Current Rating: 2 Amp Per Pin  
 Insulation Resistance: 1000 MΩ min  
 Contact Resistance: 20 mΩ max.  
 Dielectric Withstand Voltage: AC 500 V

**Mechanical & Environmental**  
 Operating Temperature: -40°C to +105°C

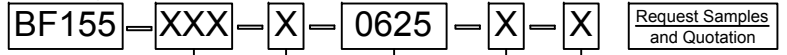
**Soldering Process:**  
 Nylon 6T (Standard) -  
 IR Reflow: 260°C for 10 sec.  
 Wave: 230°C for 5-10 sec.  
 Manual Solder: 350°C for 3-5 sec  
 LCP (Option) -  
 IR Reflow: 260°C for 10 sec.  
 Wave: 250°C for 5-10 sec.  
 Manual Solder: 350°C for 3-5 sec

**Mates with (Subject to pin length):**  
 BF150 BF165 BF170

Min. Insertion Depth 1.61 ref.  
 Max. Insertion Depth 5.00 ref.



**Ordering Grid**



**No. of Contacts**  
 06 to 120

**Contact Plating**  
**A = Gold Flash All Over (Standard)**  
 B = Selective Gold Flash Contact Area/  
 Tin On Tail  
 C = Tin All Over  
 G = 10μ" Gold Contact Area/Tin On Tail  
 I = 30μ" Gold Contact Area/Tin On Tail

**Packing**  
 D = Tube (Standard)  
 F = Tube with Film  
 G = Plastic Box

**Insulator Material**  
 N = Nylon 6T (Standard)  
 L = LCP

**Tail Length (1/100mm)**  
 0625 = 6.25mm

Part Number		Product Description	
BF155		2.00mm Pitch Socket, Triple Row, Through Hole, Vertical	
Drawing Date		8th April 2007	
By	CC	Tolerances (Except as Noted)	Units:
Detail	BF155 B PCN	Length X. ± 0.30 X.X ± 0.25 X.XX ± 0.15 X.XXX ± 0.10	Metric (mm)
Revision	B1	Angle X° ± 5° X.X° ± 3° X.XX° ± 2° X.XXX° ± 1°	RoHS COMPLIANT 2011/65/EU Deca-SIDE
Date	09/11/17	3rd Angle Projection	This drawing is confidential and copyright of Global Connector Technology, Ltd (GCT). This drawing must not be copied or disclosed without written consent. E & OE

**GCT**  
 www.gct.co

Not to Scale  
 Drawn By LYH  
 Sheet No. 1/1