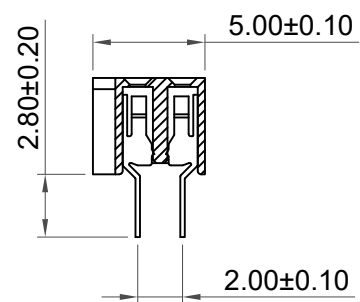
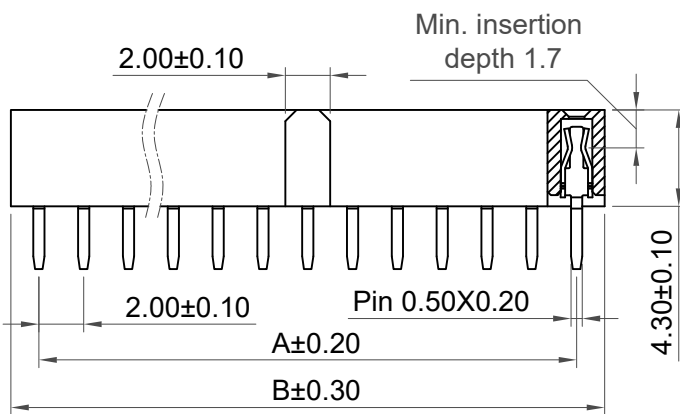
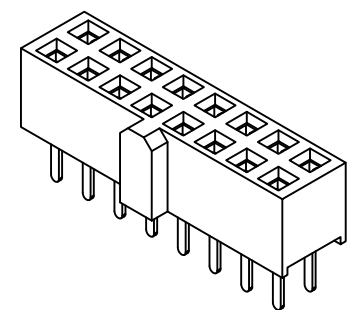


**Recommended PCB Layout**  
General Tolerance ±0.05



**Specifications**

**Insulator:**  
Standard: Nylon 9T, UL94V-0, Black  
Options: LCP, UL94V-0, Black  
**Contact:** Phosphor Bronze

**Plating**

**Contact:** See Ordering Grid

**Electrical**

**Current Rating:** 2 Amp per pin  
**Contact Resistance:** 20 mΩ max.  
**Insulation Resistance:** 1000 MΩ min.  
**Dielectric Withstand Voltage:** 500V AC

**Mechanical & Environmental**

**Operating Temperature:** -40°C to +105°C

**Soldering Process**

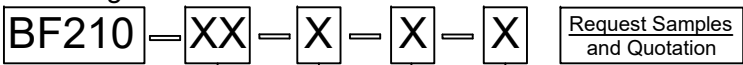
**IR Reflow:** 260°C for 10 sec.  
**Wave:** 230°C for 5-10 sec.  
**Manual Solder:** 350°C for 3-5sec

**Mates with**

BF190 BF195 BF200

Number of Contacts	Dimensions	
	A	B
6	4.00	6.50
8	6.00	8.50
10	8.00	10.50
12	10.00	12.50
14	12.00	14.50
16	14.00	16.50
18	16.00	18.50
20	18.00	20.50
22	20.00	22.50
24	22.00	24.50
26	24.00	26.50
28	26.00	28.50
30	28.00	30.50
32	30.00	32.50
34	32.00	34.50
36	34.00	36.50
38	36.00	38.50
40	38.00	40.50
42	40.00	42.50
44	42.00	44.50
46	44.00	46.50
48	46.00	48.50
50	48.00	50.50

**Ordering Grid**



**No. of Contacts**  
06 to 50

**Contact Plating**

**A = Gold Flash All Over (Standard)**  
**B = Selective Gold Flash Contact Area/ Tin On Tail**  
**C = Tin All Over**  
**G = 10µ" Gold Contact Area/Tin On Tail**  
**I = 30µ" Gold Contact Area/Tin On Tail**

**Packing Options**

**D = Tube (Standard)**  
**C = Tape & Reel With Film**  
**F = Tube With Film**  
**H = Tray**

**Insulator Material**

**9 = Nylon 9T (Standard)**  
**L = LCP**

Part Number		Product Description	
BF210		2.0mm pitch Socket	
Drawing Date		Dual Row, Through Hole, Vertical	
27th September 2023			
By	CC	Tolerances (Except as Noted)	Units:
Detail	Drawing Release	Length	Metric (mm)
Revision	A	Angle	
Date	27/09/23	X.X ± 0.30	
		X.XX ± 0.20	



This drawing is confidential and copyright of Global Connector Technology, Ltd (GCT). This drawing must not be copied or disclosed without written consent. E & OE



Not to Scale	Drawn By CC	Sheet No. 1/1
--------------	-------------	---------------