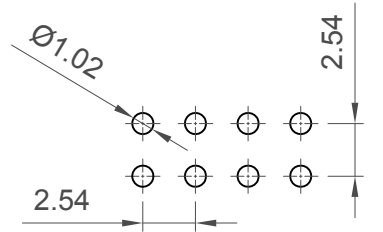
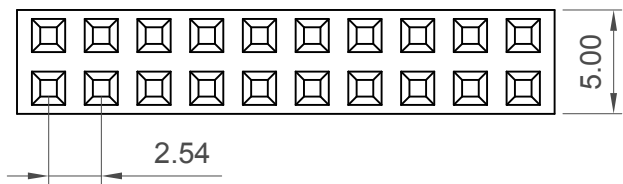
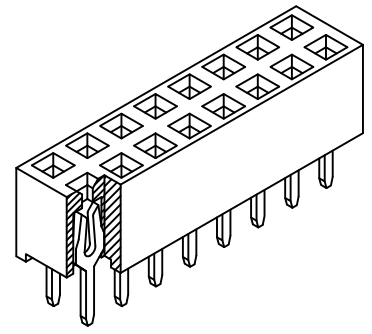


H  
G  
F  
E  
D  
C  
B  
A



Recommended PCB Layout



Number of Contacts	Dimensions	
	A	B
4	2.54	5.58
6	5.08	8.12
8	7.62	10.66
10	10.16	13.20
12	12.70	15.74
14	15.24	18.28
16	17.78	20.82
18	20.32	23.36
20	22.86	25.90
22	25.40	28.44
24	27.94	30.98
26	30.48	33.52
28	33.02	36.06
30	35.56	38.60
32	38.10	41.14
34	40.64	43.68
36	43.18	46.22
38	45.72	48.76
40	48.26	51.30
42	50.80	53.84
44	53.34	56.38
46	55.88	58.92
48	58.42	61.46
50	60.96	64.00
52	63.50	66.54
54	66.04	69.08
56	68.58	71.62
58	71.12	74.16
60	73.66	76.70
62	76.20	79.24
64	78.74	81.78
66	81.28	84.32
68	83.82	86.86
70	86.36	89.40
72	88.90	91.94
74	91.44	94.48
76	93.98	97.02
78	96.52	99.56
80	99.06	102.10

Specifications

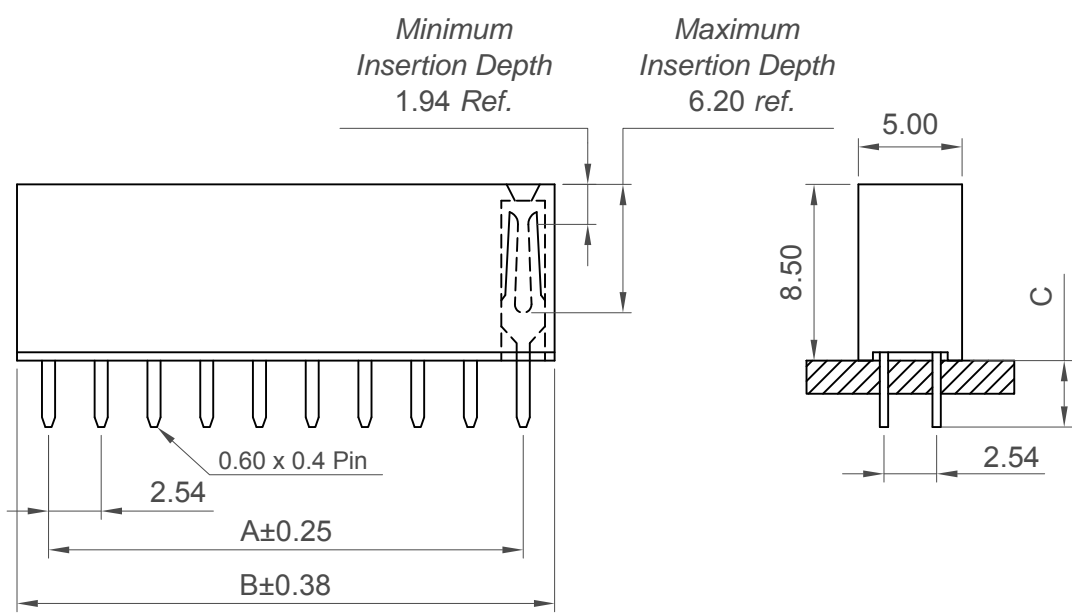
Material  
 Contact: Copper Alloy  
 Insulator Material:  
 Standard: Polyamide, Nylon 6T, UL 94V-0  
 Options: Polymer, LCP, UL 94V-0  
 Polyester, PBT, UL 94V-0

Plating  
 See Ordering Grid

Electrical Current Rating: 3 Amp per pin  
 Insulator Resistance: 1000 MΩ min.  
 Contact Resistance: 20 mΩ max.  
 Dielectric Withstanding: AC 600 V

Environmental & Mechanical  
 Operating Temperature: -40° to +105°C  
 Soldering Process:  
 Nylon 6T (Standard) -  
 IR Reflow: 260°C for 10 sec.  
 Wave: 230°C for 5-10 sec.  
 Manual Solder: 350°C for 3-5 sec  
 LCP (Option) -  
 IR Reflow: 260°C for 10 sec.  
 Wave: 250°C for 5-10 sec.  
 Manual Solder: 350°C for 3-5 sec  
 PBT (Option)  
 Manual solder: 330°C for 3-5 sec.  
 (Not suitable for hi-temp process)

Mates with (subject to pin length)  
 BG025 BG040 BG041 BG045  
 BG050 BG065 BG066 BG070  
 BG085



Ordering Grid  
**BG150** = XX = X = XXXX = X = X  
 Request Samples and Quotation

No. of Contacts  
 04 to 80

Contact Plating  
**A = Gold Flash All Over (Standard)**  
 B = Selective Gold Flash Contact Area/Tin On Tail  
 C = Tin All Over  
 G = 10µ" Gold Contact Area/Tin On Tail  
 I = 30µ" Gold Contact Area/Tin On Tail

Packing Options  
**D = Tube (Standard)**  
 E = Tube with Cap  
 F = Tube with Film  
 G = Plastic Box

Insulator Material  
**N = Nylon 6T (Standard)**  
 P = PBT  
 L = LCP

Dimension C (1/100mm) (Tail Length)  
**0320 = 3.20mm (Standard)**  
 0300 = 3.00mm

Part Number		Product Description	
BG150		2.54mm Pitch Socket	
Drawing Date		Dual Row, Through Hole, Vertical	
30th October 2006			
By	CC	Tolerances (Except as Noted)	Units:
Detail	BG150 1 PCN	Length X ± 0.30 XX ± 0.20 XXX ± 0.15 X.XXX ± 0.10	Angle X° ± 5° X.X° ± 2° X.XX° ± 1° X.XXX° ± 0.5°
Revision	I2		Metric (mm)
Date	16/11/17		



This drawing is confidential and copyright of Global Connector Technology Ltd (GCT). This drawing must not be copied or disclosed without written consent. E & OE



Not to Scale	Drawn By AJO	Sheet No. 1/1
--------------	-----------------	------------------