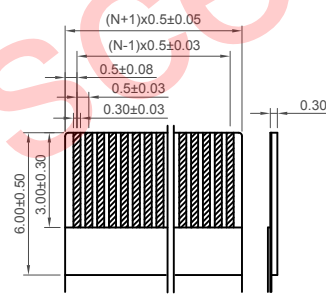
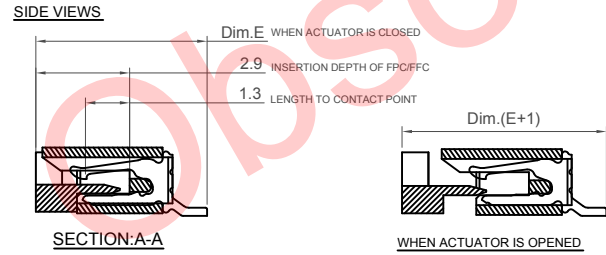
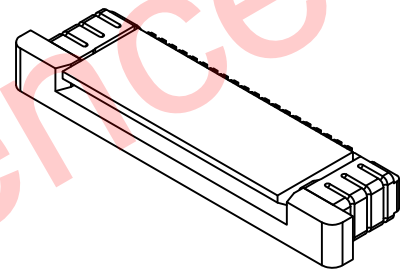
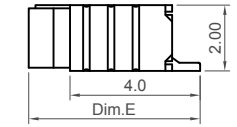


RECOMMENDED PCB LAYOUT
AS VIEWED FROM COMPONENT SIDE
 Solder Area Component Outline



RECOMMENDED FFC/FPC DIMENSIONS
THICKNESS: 0.30±0.03



Pin No.	Dim.A	Dim.B	Dim.C	Dim.D	Dim.E
4	7.6	6.5	1.50	2.60	5.2
6	8.6	7.5	2.50	3.60	
10	10.6	9.5	4.50	5.60	
12	11.6	10.5	5.50	6.60	
14	12.6	11.5	6.50	7.60	
20	15.6	14.5	9.50	10.60	
22	16.6	15.5	10.50	11.60	
26	18.6	17.5	12.50	13.60	
27	19.1	18.0	13.00	14.10	
30	20.6	19.5	14.50	15.60	
32	21.6	20.5	15.50	16.60	
40	25.6	24.5	19.50	20.60	
54	32.6	31.5	26.50	27.60	
				5.7	

Specification 规格:

Material 物料规格:

Housing Material 塑胶外壳: High-Temp Plastic LCP (UL 94V-0), White 高温塑胶
 Actuator: LCP (UL 94V-0), Black
 Contact: Phosphor Bronze 磷青铜
 Finish (a) Contact Plating: see ordering grid
 (b) Underplating: Nickel-plated all over
 Fitting Nail: Brass, tin plated 黄铜, 镀锡

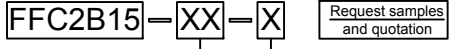
Electrical 电气规格:

Voltage Rating (Max.): 50V AC/DC 最大额定电压 50V AC/DC
 Current Rating (Max.): 0.4A AC/DC 最大额定电流 0.4A AC/DC
 Dielectric Strength: 250V AC for 1 minute
 between adjacent terminal, no breakdown
 电介质强度: 250V AC于相邻端子, 1分钟, 无损害
 Insulation Resistance: 50 MΩ Min. 250V DC
 for 1 minute between adjacent terminal
 绝缘阻抗: 50MΩ, 250V DC于相邻端子1分钟
 Contact Resistance: 40 mΩ Max. 接触阻抗: 40 毫欧

Mechanical & Environmental 机械 & 环境

Durability: 20 Cycles
 Operating Temperature: -25°C to +85°C 工作温度: -25° to +85°
 Solder Profile: Peak Temp 260°C (+0/-5°C) Maximum (5 seconds)

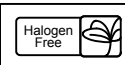
Ordering Grid



No. of Contacts
04 - 54
(see dimension table)

Contact Plating
T= Tin Plating over all (Standard) - reel qty=2000pcs
G= Gold Flash over all - reel qty=2000pcs
 (Only available in 30&54 cricuits)

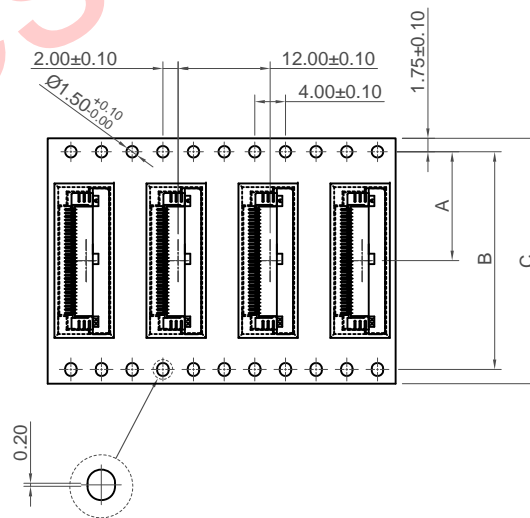
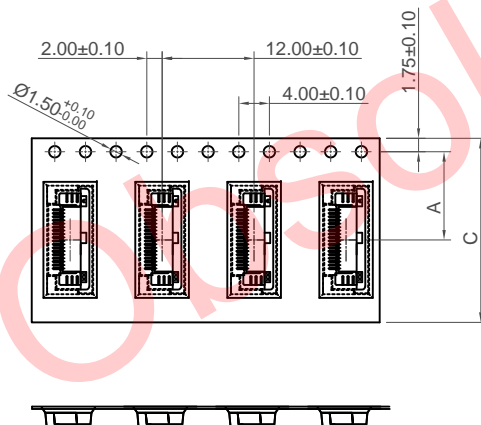
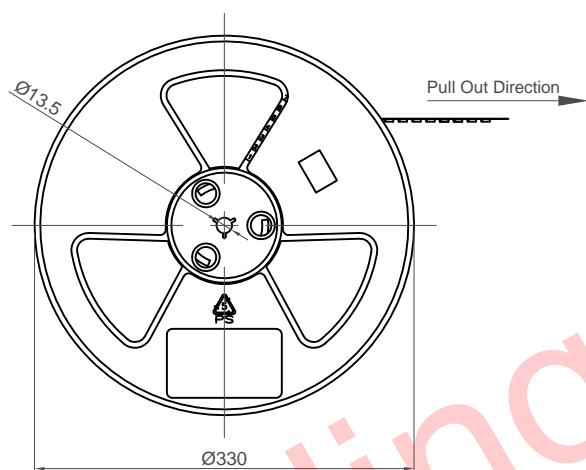
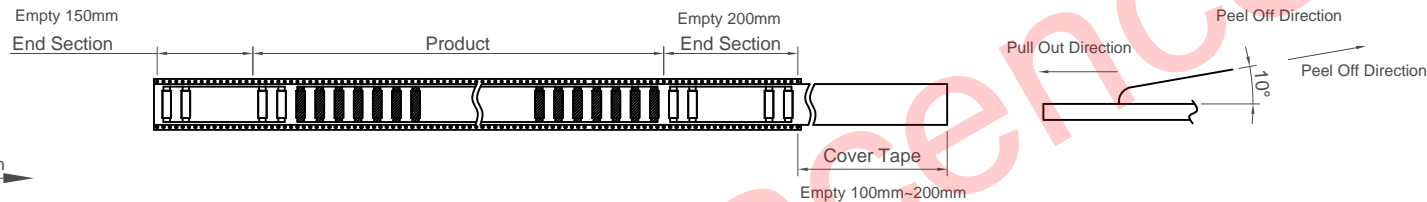
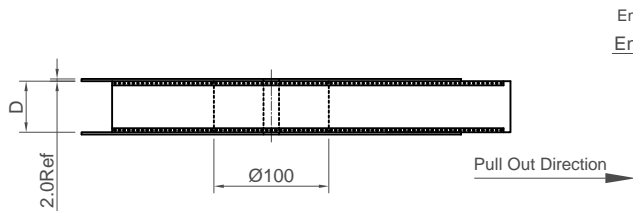
Part Number		Product Description	
FFC2B15		FPC 0.5mm Pitch Side Entry, Top Contact, SMT, Height=2.0mm, ZIF, Slide Type	
Drawing Date		19th May 2010	
By	CC	Tolerances (Except as Noted)	Units:
Detail	FFC2B15 B PCN	Length X.X ± 0.30 X.XX ± 0.15 X.XXX ± 0.10	Metric (mm)
Revision	B	Angle X.X° ± 2° X.XX° ± 1° X.XXX° ± 0.5°	3rd Angle Projection
Date	21/12/16		



This drawing is confidential and copyright of Global Connector Technology, Ltd (GCT).
This drawing must not be copied or disclosed without written consent. E & OE

GCT
Global Connector Technology
www.gct.co

Not to Scale	Drawn By PKN	Sheet No. 1/2
--------------	--------------	---------------



No. of Contacts	Dimensions			
	A	B	C	D
4 ~ 6	7.5±0.20	/	16.0±0.30	16.4±0.30
7 ~ 22	11.5±0.20	/	24.0±0.30	24.4±0.30
23 ~ 32	14.2±0.20	28.4±0.20	32.0±0.30	32.4±0.30
33 ~ 54	20.2±0.25	40.4±0.20	44.0±0.30	44.4±0.30

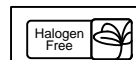
NOTES:

1.Number of Connectors:
2000 Pcs/Reel

2.Material
Carrier Tape:PET,PE,PEF
Reel:PS

3.Peeling off force of top tape
30gf~130gf

Part Number FFC2B15		Product Description FPC 0.5mm Pitch Side Entry, Top Contact, SMT, Height=2.0mm, ZIF, Slide Type	
Drawing Date 19th May 2010			
By CC		Tolerances (Except as Noted) Length X.X ± 0.30 X.XX ± 0.20 X.XXX ± 0.10	Units: Metric (mm)
Detail FFC2B15 B PCN		Angle X.X° ± 5° X.XX° ± 3° X.XXX° ± 1°	RoHS COMPLIANT 2011/65/EU Deca-SIDE
Revision B			This drawing is confidential and copyright of Global Connector Technology, Ltd (GCT). This drawing must not be copied or disclosed without written consent. E & OE
Date 21/12/16			



GCT

Global Connector Technology
www.gct.co

Not to Scale | Drawn By PKN | Sheet No. 2/2