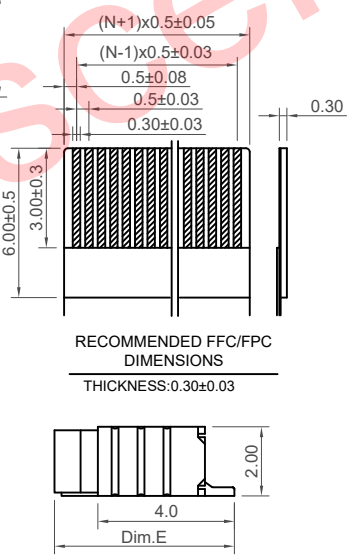
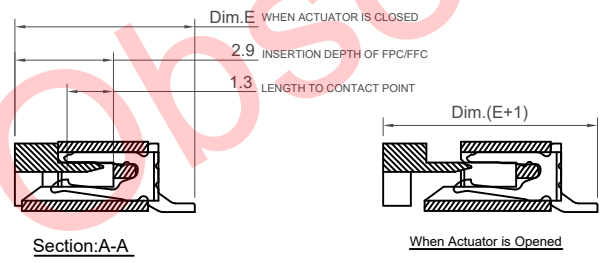


RECOMMENDED PCB LAYOUT
AS VIEWED FROM COMPONENT SIDE
 Solder Area Component Outline

Side Views



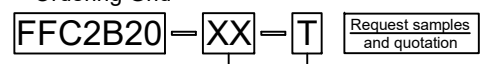
Specification 规格:

Material 物料规格:
 Housing Material: High-Temp Plastic LCP (UL 94V-0), White 高温塑胶
 Actuator: LCP (UL 94V-0), Black
 Contact: Phosphor Bronze 磷青铜
 Finish (a) Contact Plating: see ordering grid
 (b) Underplating: Nickel-plated all over
 Fitting Nail: Brass, tin plated 黄铜, 镀锡

Electrical 电气规格:
 Voltage Rating (Max.): 50V AC/DC 最大额定电压 50V AC/DC
 Current Rating (Max.): 0.4A AC/DC 最大额定电流 0.4A AC/DC
 Dielectric Strength: 250V AC for 1 minute
 between adjacent terminal, no breakdown
 电介质强度: 250V AC于相邻端子, 1分钟, 无损害
 Insulation Resistance: 50 MΩ Min. 250V DC
 for 1 minute between adjacent terminal
 绝缘阻抗: 50MΩ, 250V DC于相邻端子1分钟
 Contact Resistance: 40 mΩ Max. 接触阻抗: 40 毫欧

Mechanical & Environmental 机械 & 环境
 Durability: 20 Cycles
 Operating Temperature: -25°C to +85°C 工作温度: -25° to +85°
 Solder Profile: Peak Temp 260°C (+0/-5°C) Maximum (5 seconds)

Ordering Grid



No. of Contacts
 06, 08, 10, 12, 16, 20,
 28, 32, 33, 40, 50
 (see dimension table)

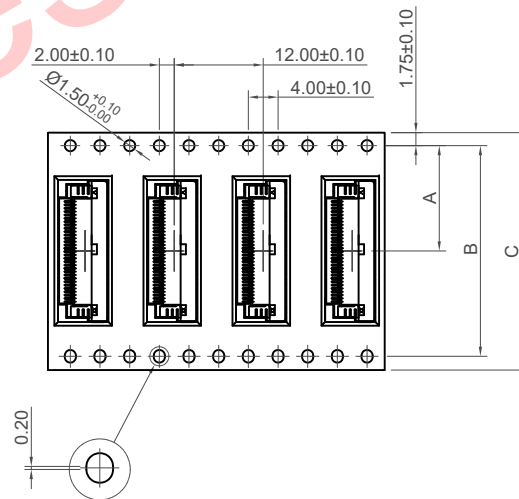
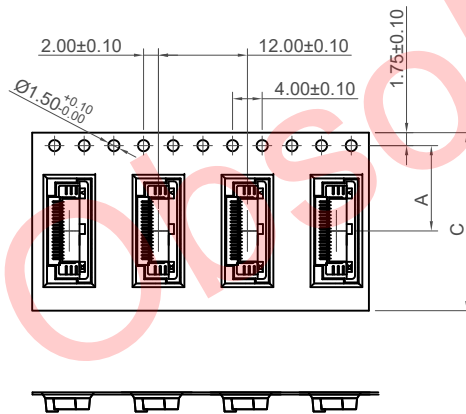
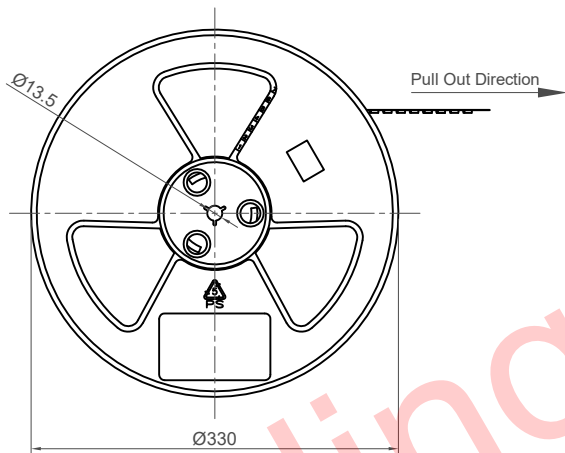
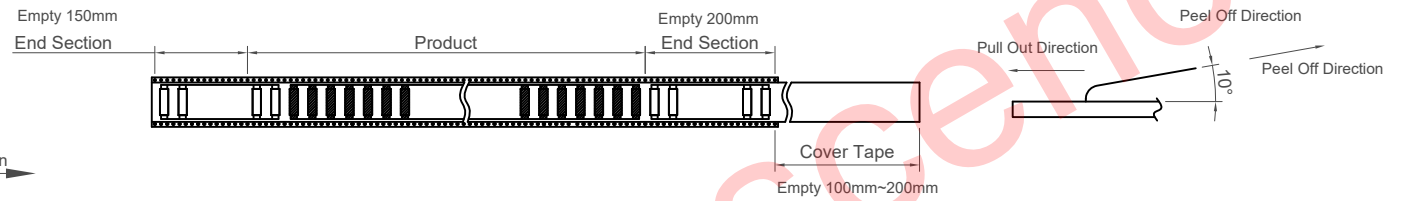
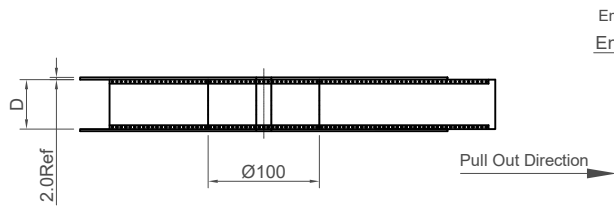
Contact Plating
 T= Tin Plating over all (reel qty=2000pcs)

Pin No.	Dim.A	Dim.B	Dim.C	Dim.D	Dim.E
6	8.6	7.5	2.50	3.60	5.2
8	9.6	8.5	3.50	4.60	
10	10.6	9.5	4.50	5.60	
12	11.6	10.5	5.50	6.60	
16	13.6	12.5	7.50	8.60	
20	15.6	14.5	9.50	10.60	
28	19.6	18.5	13.50	14.60	
32	21.6	20.5	15.50	16.60	
33	22.1	21.0	16.00	17.10	
40	25.6	24.5	19.50	20.60	
50	30.6	29.5	24.50	25.60	

Part Number FFC2B20		Product Description FPC 0.5mm Pitch Side Entry, Bottom Contact, SMT, Height=2.0mm, ZIF, Slide Type	
Drawing Date 19th May 2010			
By CC	FFC2B20 B PCN	Tolerances (Except as Noted) Length X.X ± 0.30 X.XX ± 0.15 X.XXX ± 0.10	Angle X.X° ± 2° X.XX° ± 1° X.XXX° ± 0.5°
Detail Revision Date	B 21/12/16	Units: Metric (mm)	
Halogen Free			

GCT
 Global Connector Technology
 www.gct.co

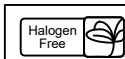
Not to Scale Drawn By PKN Sheet No. 1/2



No. of Contacts	Dimensions			
	A	B	C	D
6	7.5±0.20	/	16.0±0.30	16.4±0.30
7 ~ 22	11.5±0.20	/	24.0±0.30	24.4±0.30
23 ~ 32	14.2±0.20	28.4±0.20	32.0±0.30	32.4±0.30
33 ~ 50	20.2±0.25	40.4±0.20	44.0±0.30	44.4±0.30

- NOTES:
- Number of Connectors:
2000 Pcs/Reel
 - Material
Carrier Tape:PET,PE,PEF
Reel:PS
 - Peeling off force of top tape
30gf~130gf

Part Number FFC2B20		Product Description FFC 0.5mm Pitch Side Entry, Bottom Contact, SMT, Height=2.0mm, ZIF, Slide Type	
Drawing Date 19th May 2010			
By CC	Tolerances (Except as Noted)		Units: Metric (mm)
Detail FFC2B20 B PCN	Length	Angle	 3rd Angle Projection
Revision B	X.X ± 0.30	X.X° ± 5°	
Date 21/12/16	X.XX ± 0.20	X.XX° ± 3°	
	X.XXX ± 0.10	X.XXX° ± 1°	



This drawing is confidential and copyright of Global Connector Technology, Ltd (GCT).
This drawing must not be copied or disclosed without written consent. E & OE

GCT
Global Connector Technology
www.gct.co

Not to Scale | Drawn By PKN | Sheet No. 2/2