

Specification 规格:

Electrical 电气规格:

Voltage Rating 电压额定值: 150 V AC
 Current Rating 电流额定值: 1.5 Amp
 Contact Resistance 接触电阻值: 30mΩ Max.
 Insulation Resistance 绝缘电阻值: 500MΩ Min.
 Dielectric Strength 电介质强度: 1000 VAC, 1 Min.

Material 物料规格:

Housing Material 塑胶外壳: High Temp Nylon UL94V-0 or Glass Filled Polyester UL94V-0, Black

Contact Material 端子材料: Phosphor Bronze $\phi 0.45\text{mm}$ $\triangle B$

Plating 电镀规格: Contact Area: Gold Plating over Nickel $\triangle B$
 Tails: Gold Plating over Nickel

Operating Life 使用寿命: 1000 Cycles Min.

Environmental 环境的:

Storage Temperature 储存温度: -10°C to $+70^{\circ}\text{C}$
 Operation Temperature 使用温度: -40°C to $+85^{\circ}\text{C}$

Ordering Grid

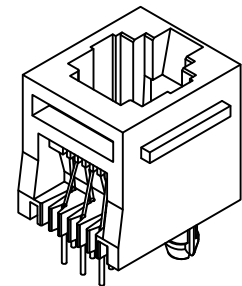
MJ3110 - 66 - X - X - X REQUEST SAMPLES AND QUOTATION

No. of Positions/
 Positions Loaded
 66=6/6

$\triangle B$ Panel Stop
 0=Without (Standard)
 1=With

Insulator Material
 N=High Temp Nylon (Standard)
 P=Glass Filled Polyester

Plating $\triangle B$
 2=6 μm Gold (Standard)
 4=30 μm Gold
 5=50 μm Gold



By	PKN	SA	AJO
DETAIL	DRAWING RELEASE	CONTACT MATERIAL & GRID UPDATE	OBSOLESCENCE NOTICE
REV DATE	A 13/05/10	B 15/12/10	X 13/08/15



Tolerances (Except as noted)	Part Number:-	Date:-
Dimensions in mm	MJ3110 - 6 POSITION	13 MAY 10
X.X ± 0.25	Description:-	
X.XX ± 0.15	MODULAR JACK CONNECTOR, 6 POSITION, CATEGORY 3, VERTICAL THROUGH HOLE	
X.XXX ± 0.075	THIS DRAWING IS CONFIDENTIAL AND MUST NOT BE COPIED OR DISCLOSED WITHOUT WRITTEN CONSENT	
Third Angle Projection		

GCT
 www.gct.co

Scale	Revision	Material	Drawn by	Sheet No.
NTS	X	See Note	PKN	E & OE 1/2

1. Packing Material 包材 - PVC Tray 1 PC

Quantity 數量 -

With Panel Stop 窗口带有线缆挡板: 1*100=100 PCS

Without Panel Stop 窗口没有线缆挡板: 1*110=110 PCS

Tray: Body and Cover 真空盒上下蓋各 - 1PCS Each

Tracing Label 流程單編號標籤 - 1 PCS

Lead Free Label 無鉛製程標籤 - 1PCS

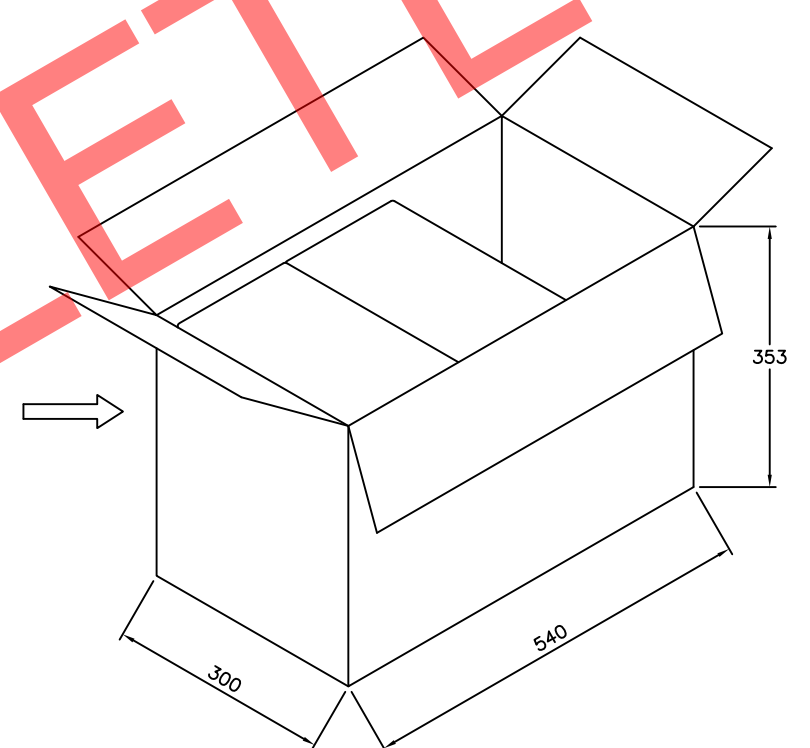
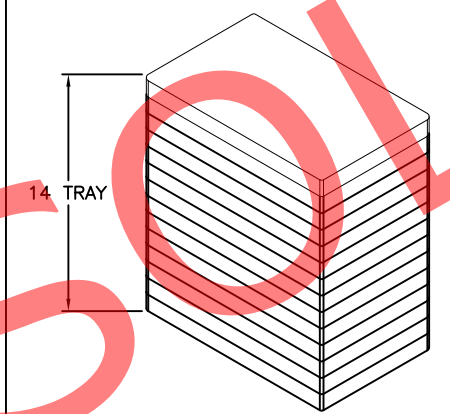
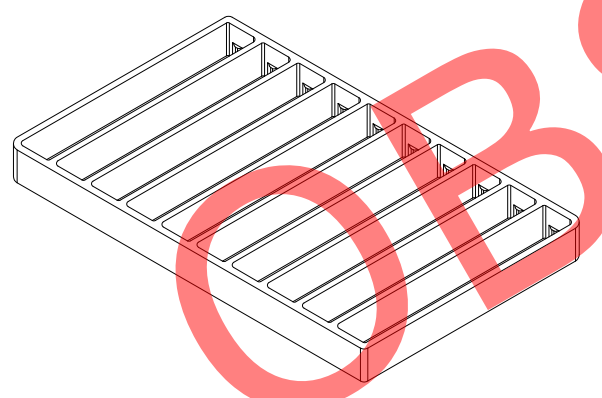
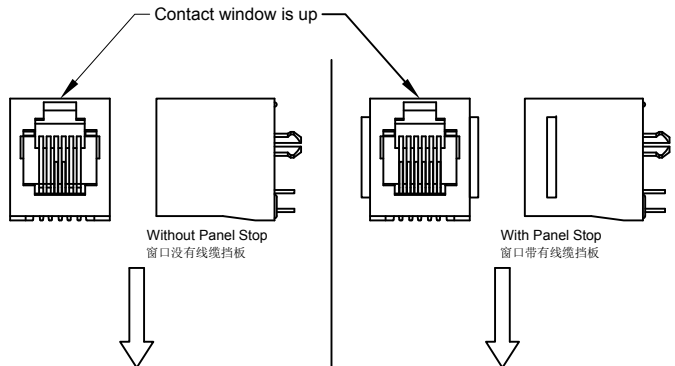
2. Packing Material 包材 - Carton 1 PC

Quantity 數量 -

With Panel Stop 窗口带有线缆挡板: 100*42=4200 PCS

Without Panel Stop 窗口没有线缆挡板: 110*42=4620 PCS

Part Number 零部件料号	Panel Stop 线缆挡板	Net Weight 淨重	Gross Weight 毛重	Q'TY 數量
MJ3110-66-1-X-X	With	12.7Kg	16.7±0.3Kg	4200
MJ3110-66-0-X-X	Without	12Kg	16±0.3Kg	4620



By	PKN	SA	AJO
DETAIL	DRAWING RELEASE	CONTACT MATERIAL & GRID UPDATE	OBSOLESCENCE NOTICE
REV DATE	A 13/05/10	B 15/12/10	X 13/08/15



Tolerances (Except as noted)	Part Number:- MJ3110 - 6 POSITION	Date:- 13 MAY 10
Dimensions in mm	Description:- MODULAR JACK CONNECTOR, 6 POSITION, CATEGORY 3, VERTICAL THROUGH HOLE	
Third Angle Projection	© THIS DRAWING IS CONFIDENTIAL AND MUST NOT BE COPIED OR DISCLOSED WITHOUT WRITTEN CONSENT	

GCT www.gct.co				
Scale NTS	Revision X	Material See Note	Drawn by PKN	Sheet No. 2/2