

Recommended PCB Layout
as viewed from component side
□ Component Outline

Ordering Grid
MJ3205 - **88** - X - X - X Request Samples and Quotation
 No. of Positions/
Positions Loaded
88=8/8
 Panel Stop
0=Without (Standard)
1=With
 Insulator Material
N=High Temp Nylon (Standard)
P=Glass Filled Polyester
 Contact Plating
2=6µ" Gold (Standard)
4=30µ" Gold
5=50µ" Gold

Specification 规格:

Electrical 电气规格:

Voltage Rating 电压额定值: 150 V AC
 Current Rating 电流额定值: 1.5 Amp
 Contact Resistance 接触电阻值: 30mΩ Max.
 Insulation Resistance 绝缘电阻值: 500MΩ Min.
 Dielectric Strength 电介质强度: 1000 VAC, 1 Min.

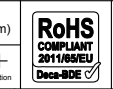
Material 物料规格:

Housing Material 塑胶外壳: High Temp Nylon UL94V-0 or Glass Filled Polyester UL94V-0, Black
 Contact Material 端子材料:
Spring Wire 圆针: Phosphor Bronze Ø0.45mm
 Plating 电镀规格:
Contact Area: Gold Plating over Nickel
Tails: Gold Plating over Nickel
Operating Life 使用寿命: 1000 Cycles Min.

Environmental 环境的:

Storage Temperature 储存温度: -10°C to +70°C
 Operation Temperature 使用温度: -40°C to +85°C

| | | | |
|--------------|---------------------|---|----------------------|
| Part Number | | Product Description | |
| MJ3205-88 | | Modular Jack Connector, 8Position, Cat 3, Right Angle. Through Hole, Standard Profile, Inverted Latch | |
| Drawing Date | | 13th May 2010 | |
| By | AJO | Tolerances (Except as Noted) | Units: |
| Detail | Obsolescence Notice | Length | Metric (mm) |
| Revision | X | X.X ± 0.25 | 3rd Angle Projection |
| Date | 13/08/15 | X.XX ± 0.15 X.XXX ± 0.075 | |



This drawing is confidential and copyright of Global Connector Technology, Ltd (GCT).
 This drawing must not be copied or disclosed without written consent. E & OE

GCT
 Global Connector Technology
 www.gct.co
 Not to Scale | Drawn By PKN | Sheet No. 1/2

1. Packing Material 包材 - PVC Tray 1 PC

Quantity 數量 -

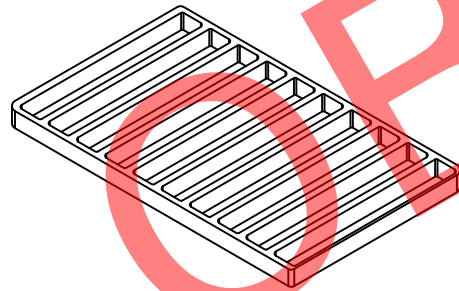
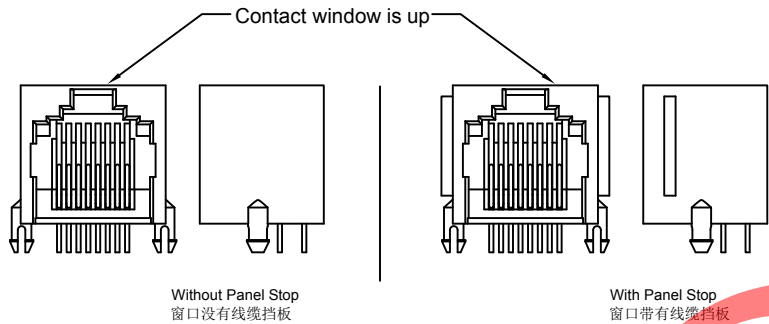
With Panel Stop 窗口带有线缆挡板: 1*90=90 PCS

Without Panel Stop 窗口没有线缆挡板: 1*90=90 PCS

Tray: Body and Cover 真空盒上下蓋各 - 1PCS Each

Tracing Label 流程單編號標籤 - 1 PCS

Lead Free Label 無鉛製程標籤 - 1PCS



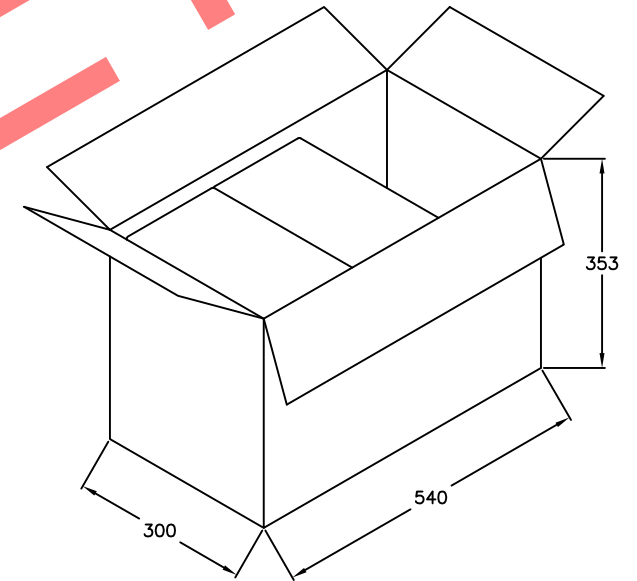
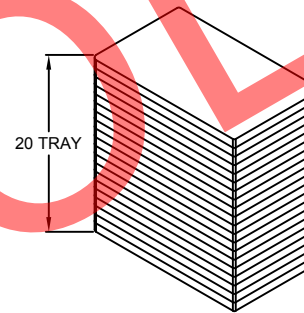
2. Packing Material 包材 - Carton 1 PC

Quantity 數量 -

With Panel Stop 窗口带有线缆挡板: 90*60=5400 PCS

Without Panel Stop 窗口没有线缆挡板: 90*60=5400 PCS

| Part Number 零部件料号 | Panel Stop 线缆挡板 | Net Weight 淨重 | Gross Weight 毛重 | Q'TY 數量 |
|----------------------|--------------------|------------------|--------------------|------------|
| MJ3205-88-0-X-X | With | 10.9Kg | 14.9±0.3Kg | 5400 |
| MJ3205-88-1-X-X | Without | 11.2Kg | 15.2±0.3Kg | 5400 |



| | | | |
|--------------|---------------------|---|----------------------|
| Part Number | | Product Description | |
| MJ3205-88 | | Modular Jack Connector, 8Position, Cat 3, Right Angle. Through Hole, Standard Profile, Inverted Latch | |
| Drawing Date | | 13th May 2010 | |
| By | PKN | Tolerances (Except as Noted) | Units: |
| Detail | Obsolescence Notice | Length | Metric (mm) |
| Revision | X | X.X ± 0.25 | 3rd Angle Projection |
| Date | 13/08/15 | X.XX ± 0.15 X.XXX ± 0.075 | |



This drawing is confidential and copyright of Global Connector Technology, Ltd (GCT). This drawing must not be copied or disclosed without written consent. E & OE

GCT

Global Connector Technology
www.gct.co

| | | |
|--------------|--------------|---------------|
| Not to Scale | Drawn By PKN | Sheet No. 2/2 |
|--------------|--------------|---------------|