

- Section A-A**
- C1 → VCC
 - C2 → RST
 - C3 → CLK
 - C5 → GND
 - C6 → V_{pp}
 - C7 → I/O

Recommended PCB Layout
 General Tolerance ±0.05

as viewed from component side

- Solder Area
- Keep Out Area
- Component Outline

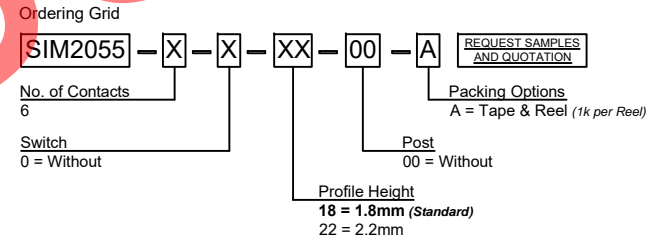
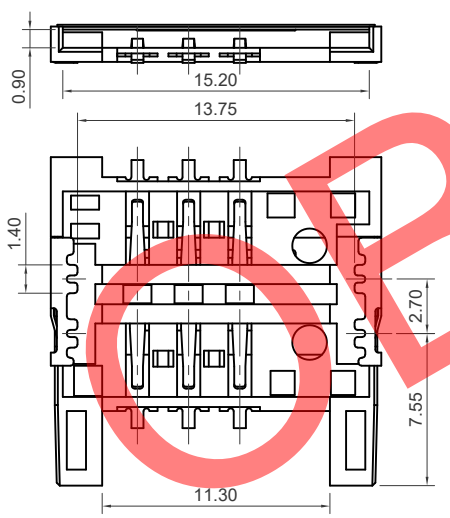
Specifications 规格:

Material 物料规格:
 Plastic Housing 塑胶外壳: LCP(MG350) UL94V-0, Black LCP 高温塑胶, 黑色
 Contact Terminal 接触端子: Phosphor Bronze (T=0.15±0.01mm) 磷青铜
 Metallic Shell 金属外壳: Stainless Steel(SUS304R-H,T=0.15mm) 不锈钢

Plating 电镀规格:
 Contact Terminal plating 端子电镀:
 Under-plating 底层电镀: 50µ" min. Nickel over all 全部镀镍最少50µ"
 Contact Area 接触区: 15µ" Gold 镀金15µ"
 Soldering Area 焊接区: Gold Flash 镀闪金
 Metallic Shell plating 金属外壳电镀:
 Under-plating 底层电镀: Nickel all over 全部镀镍
 Soldering Area 焊接区: Gold Flash 镀闪金

Electrical 电气规格:
 Voltage rating 电压额定值: 250 V (R.M.S.) max.
 Current rating 电流额定值: 1 A max.
 Operating Temperature 工作温度: -55°C to +105°C
 Contact Resistance 接触电阻值: 50 mΩ max.
 Insulating Resistance 绝缘电阻值: 100 MΩ min. (Apply 施加250 V DC)
 Dielectric Withstand Voltage 介电耐压: Current Leakage 漏电流 0.5 mA (Apply 500 V AC for 1 minute 施加500 V AC共1分钟)

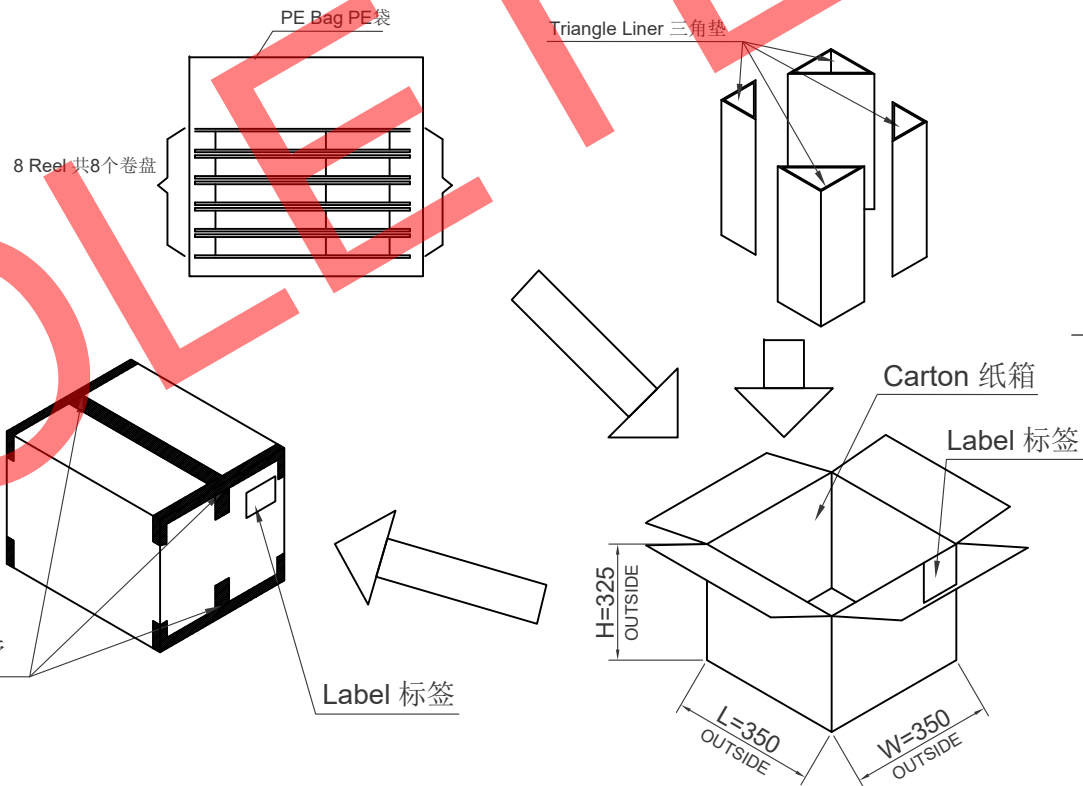
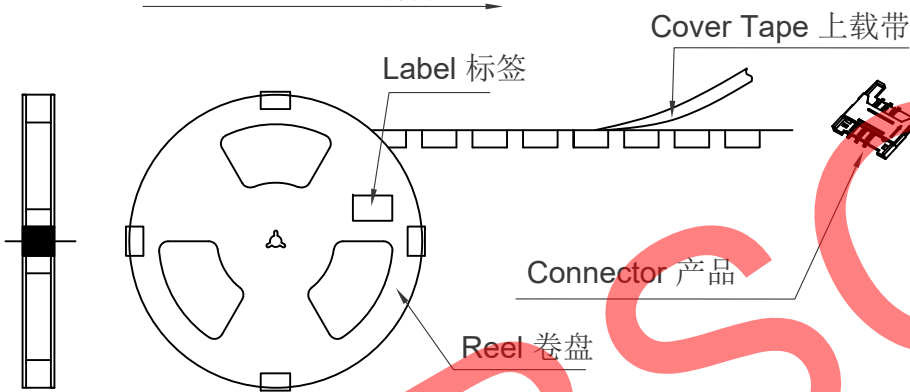
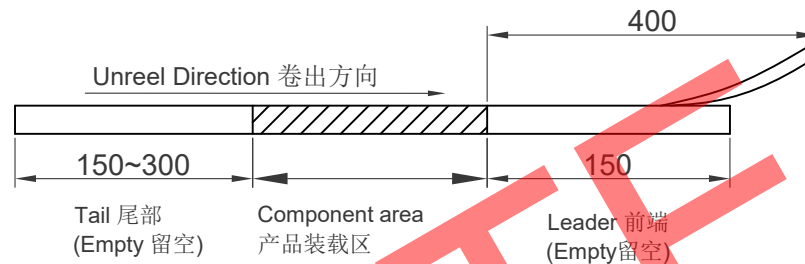
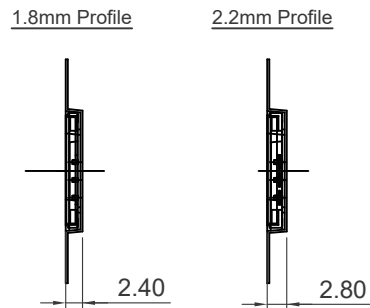
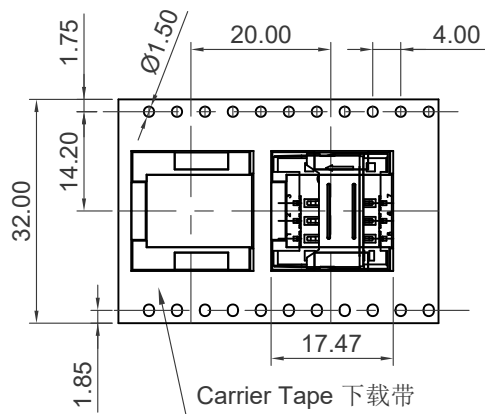
Mechanical 机械性规格:
 Durability 耐久性: 5,000 cycles 5,000 次插拔
 Contact Normal Force 端子正向力: 50gf/Pin
 Contact Retention Force 端子保持力: 50gf/Pin



Part Number SIM2055		Product Description SIM Card Connector, Receiver Type	
Drawing Date 23rd August 2007		6 Pin, SMT, 1.8mm or 2.2mm Profile	
By AJO	Detail SIM2055 X PCN	Tolerances (Except as Noted) Length X. ± 0.50 X.X ± 0.30 X.XX ± 0.20	Units: Metric (mm)
Revision X	Date 12/11/21	Angle X° ± 2° X.X° ± 1°	
This drawing is confidential and copyright of Global Connector Technology, Ltd (GCT). This drawing must not be copied or disclosed without written consent. E & OE			

GCT
www.gct.co

Not to Scale | Drawn By PKN | Sheet No. 1/2



Part	Specification	Q'ty
Connector 产品		8000 Pcs
Reel 卷盘	OD330 mm, ID100 mm, H 40 mm	1000 Pcs
Cover Tape 上载带	W 25.5 mm, T 0.05 mm	20.0m
Carrier Tape 下载带	W 32 mm, P 20 mm, T 0.30 mm	20.6m
Triangle Liner 三角垫	150 mm*133 mm*67 mm (T=3 mm)	4 Pcs
Carton 纸箱	L 350 mm * W350 mm * H325 mm	1 Pcs
PE bag PE袋		1 Pcs

Part Number		Product Description	
SIM2055		SIM Card Connector, Receiver Type	
Drawing Date		6 Pin, SMT, 1.8mm or 2.2mm Profile	
23rd August 2007			
By	AJO	Tolerances (Except as Noted)	Units:
Detail	SIM2055 X PCN	Length X. ± 0.25 X.X ± 0.20 X.XX ± 0.15 X.XXX ± 0.10	Metric (mm)
Revision	X	Angle X.° ± 3° X.X° ± 2.5° X.XX° ± 2° X.XXX° ± 1.5°	3rd Angle Projection
Date	14/07/14		



This drawing is confidential and copyright of Global Connector Technology, Ltd (GCT). This drawing must not be copied or disclosed without written consent. E & OE



Not to Scale
Drawn By PKN
Sheet No. 2/2