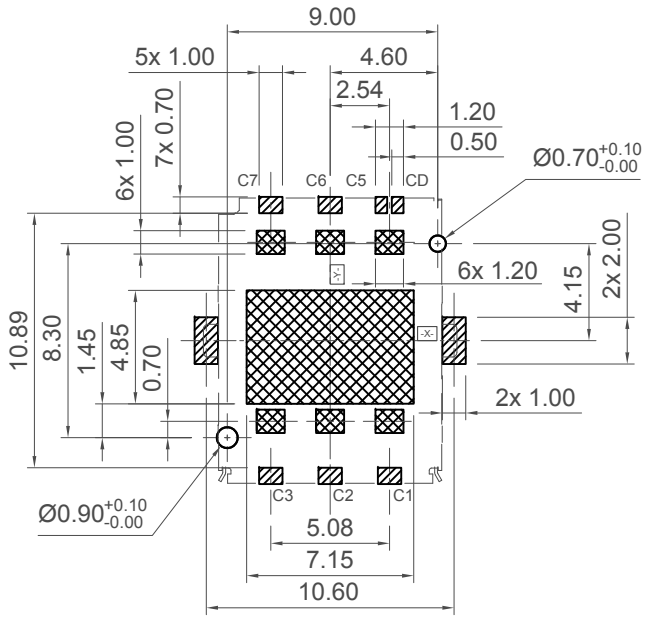
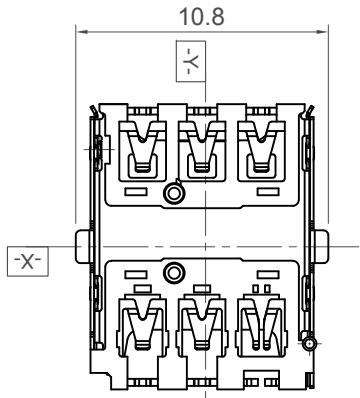
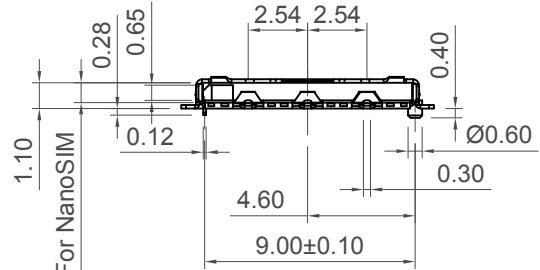
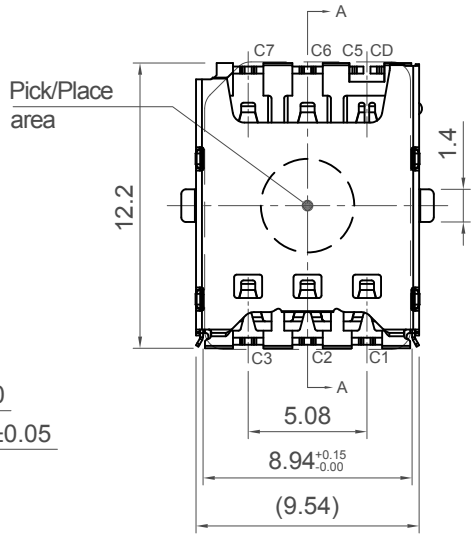
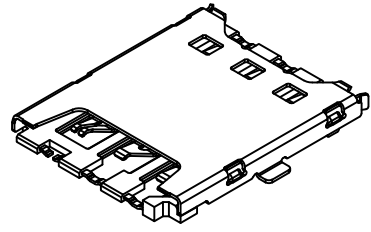
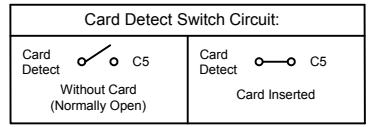
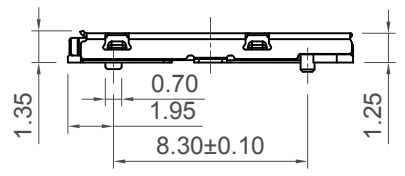


Section A-A



Recommended PCB Layout
 As viewed from component side General Tolerance ±0.05
 Locating peg holes only applicable to locating peg version

Solder Area
 Keep Out Area
 Component Outline



Specification:

Material:

Plastic Housing: LCP 30%GF, UL94V-0, Black
 Contact Terminal: Phosphor Bronze, T= 0.12mm
 Cover: SUS301-H, T= 0.15mm

Plating:

Contact Terminal:
 Contact Area: 3μ" Gold
 Solder area: Gold Flash
 Underplating: Ni overall 50μ" min.
 Cover: Ni overall 50μ" min.

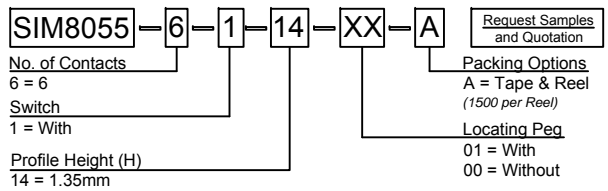
Mechanical:

Duration: 5000 cycles

Electrical:

Voltage Rating: 30V max.
 Current Rating: 0.5A max.
 Operating Temperature: -40°C to +85°C
 Dielectric Withstanding Voltage: 100V AC (60 Sec min.)
 Insulation Resistance: 1000 MΩ min.
 Contact Resistance: 100 mΩ max.

Ordering Grid

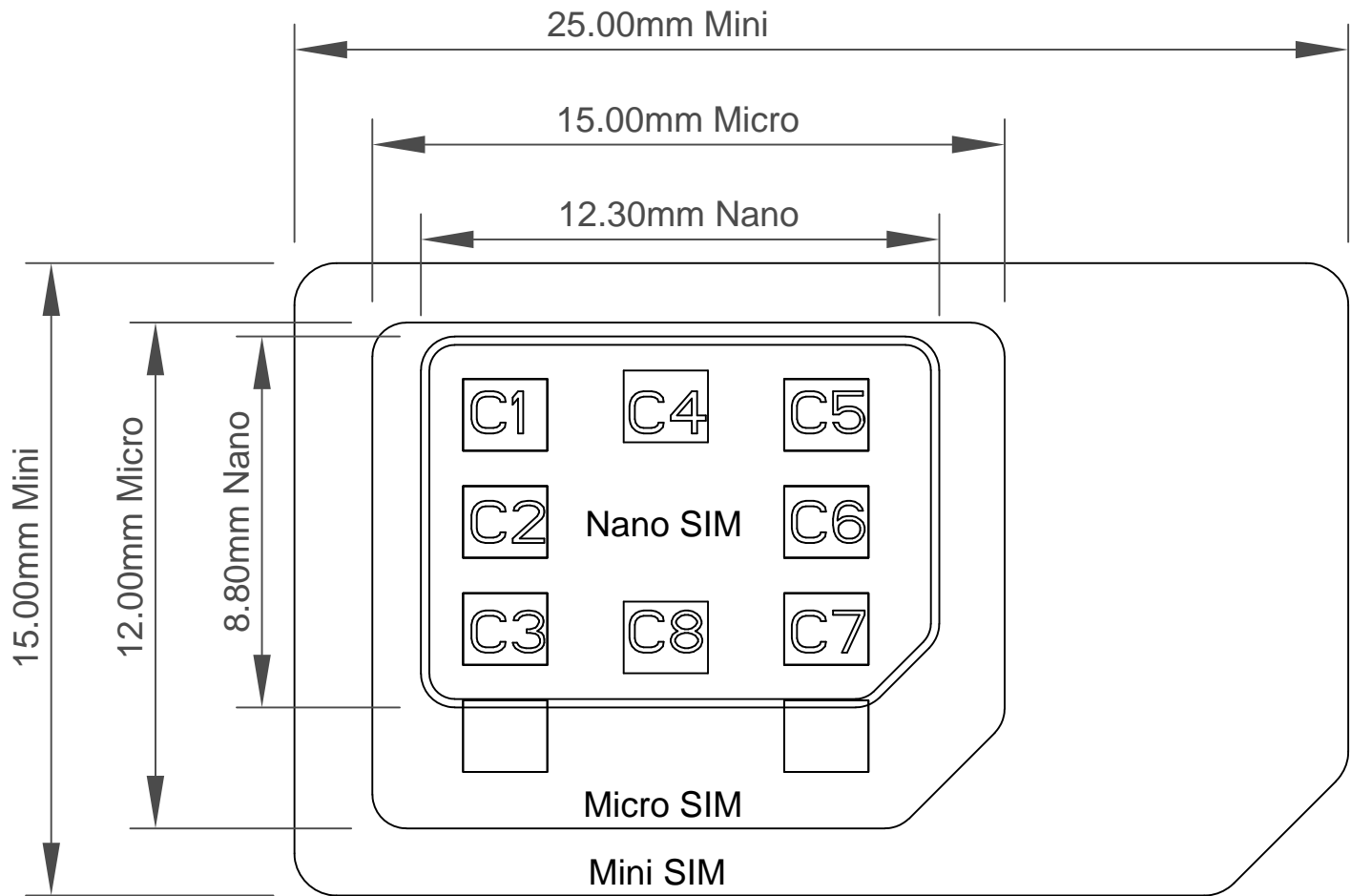


Part Number		Product Description	
SIM8055		Nano SIM Card Connector, Push-Pull Type, with Switch	
Drawing Date		6 Pin, SMT, Profile 1.35mm	
27th November 2017			
By	CC	Tolerances (Except as Noted)	Units:
Detail	Drawing Release	Length	Metric (mm)
Revision	A5	X. ± 0.35	
Date	22/01/21	X.X ± 0.25	
		X.XX ± 0.15	
		X.XXX ± 0.10	

This drawing is confidential and copyright of Global Connector Technology, Ltd (GCT). This drawing must not be copied or disclosed without written consent. E & OE



Not to Scale	Drawn By CC	Sheet No. 1/3
--------------	-------------	---------------



- C1----->VCC
- C2----->RST
- C3----->CLK
- C5----->GND
- C6----->Vpp
- C7----->I/O

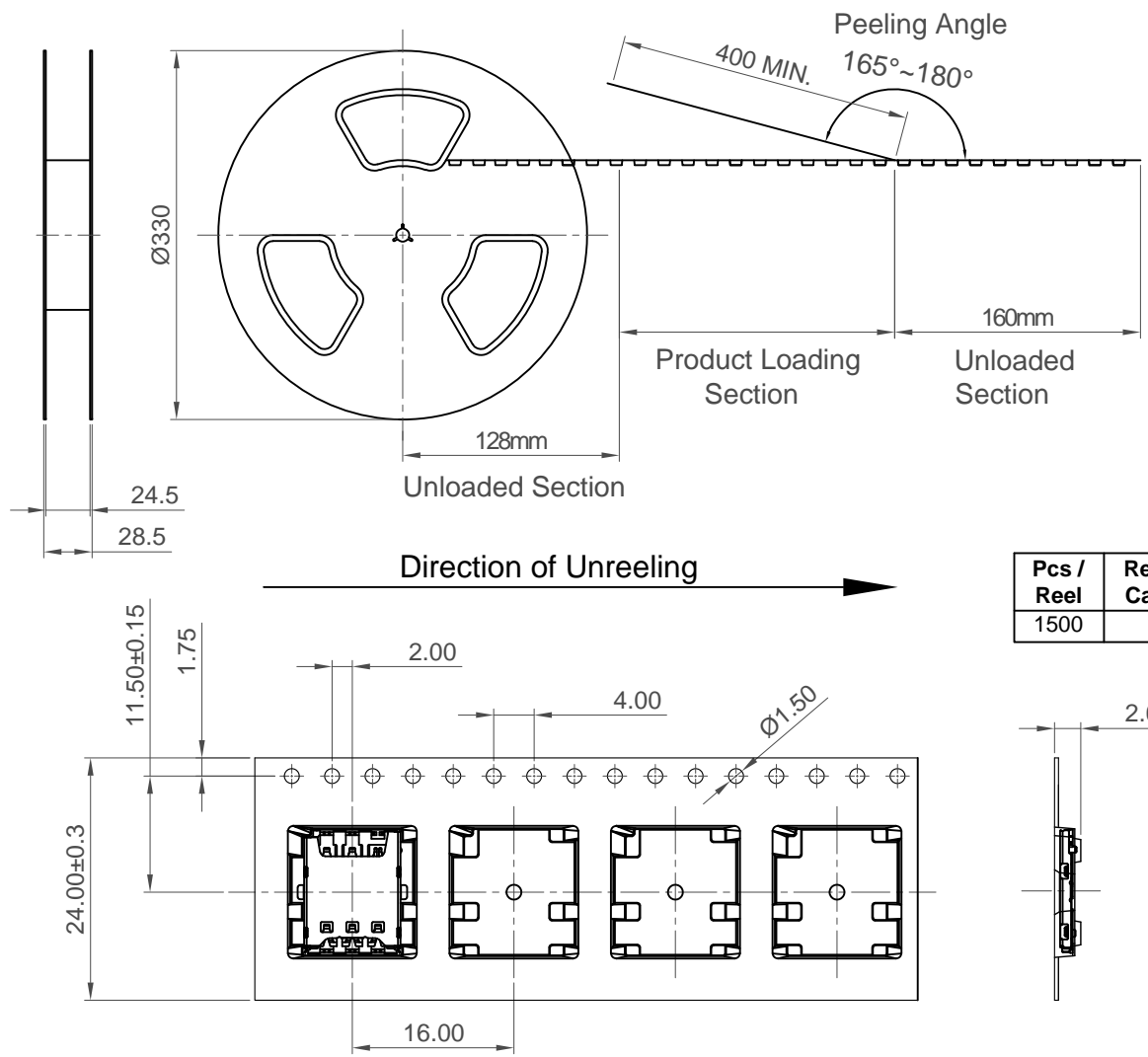
Reference

Part Number		Product Description	
SIM8055		Nano SIM Card Connector, Push-Pull Type, with Switch	
Drawing Date		6 Pin, SMT, Profile 1.35mm	
27th November 2017			
By	CC	Tolerances (Except as Noted)	Units:
Detail	Drawing Release	Length	Metric (mm)
Revision	A5	X. ± 0.35	
Date	22/01/21	X.X ± 0.25	
		X.XX ± 0.15	
		X.XXX ± 0.10	
		All ± 2°	
		This drawing is confidential and copyright of Global Connector Technology, Ltd (GCT). This drawing must not be copied or disclosed without written consent. E & OE	
Not to Scale	Drawn By	CC	Sheet No.
			2/3

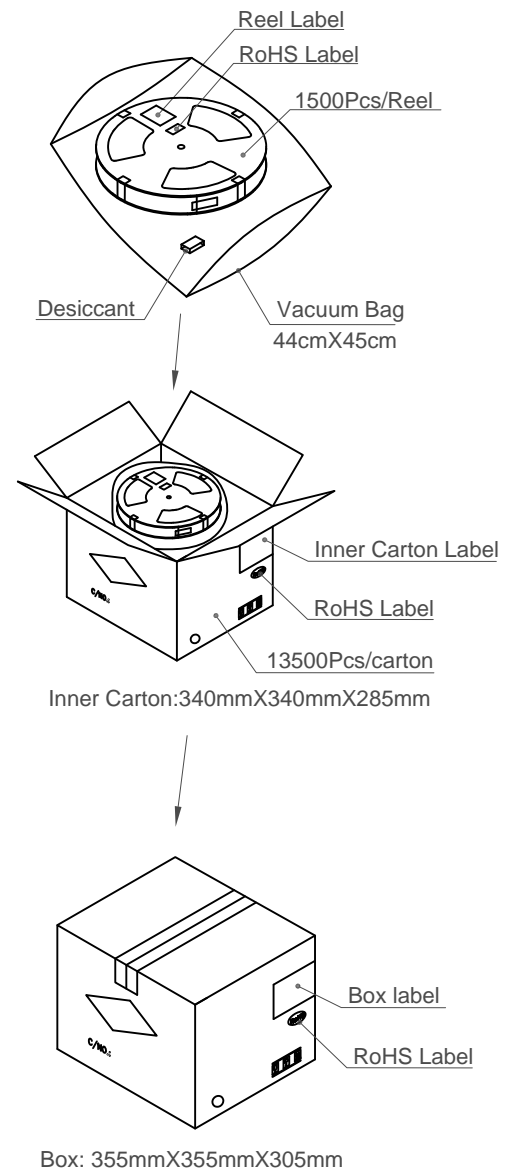


A
B
C
D
E
F
G
H

1 2 3 4 5 6 7 8



Pcs / Reel	Reels / Carton	Total Quality
1500	9	13500



Notes:
Peeling off force of top tape: 0.1-1.3N (Peeling direction as shown)

Materials:
Carrier Tape: Polystyrene (PS)
Top Tape: PE
Reel Tape: Polystyrene (PS)
Bag: PE

Part Number		Product Description	
SIM8055		Nano SIM Card Connector, Push-Pull Type, with Switch	
Drawing Date		6 Pin, SMT, Profile 1.35mm	
27th November 2017			
By	CC	Tolerances (Except as Noted)	Units:
Detail	Drawing Release	Length	Metric (mm)
Revision	A5	Angle	
Date	22/01/21		



This drawing is confidential and copyright of Global Connector Technology, Ltd (GCT). This drawing must not be copied or disclosed without written consent. E & OE



Not to Scale	Drawn By CC	Sheet No. 3/3
--------------	-------------	---------------