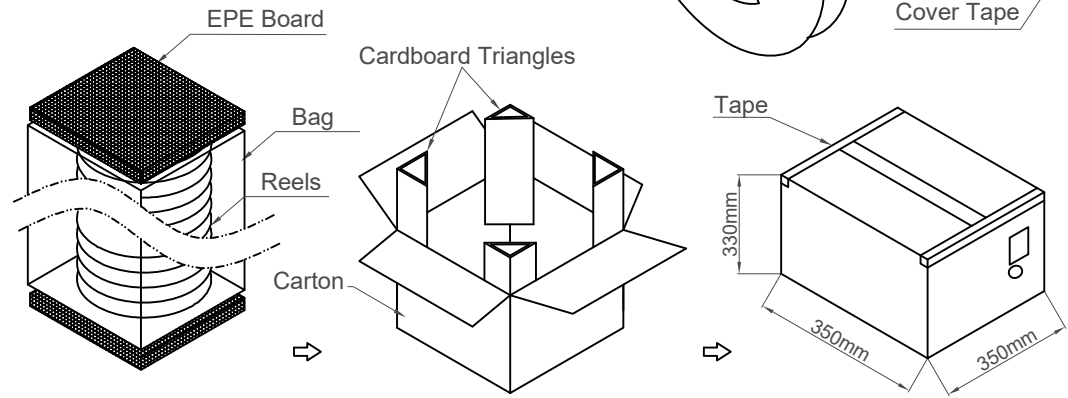






Part Number	Specification	Q'ty
Carrier Tape	32.0mm (W) x 8.3m (L)	8
Cover Tape	25.5mm (W)	70.88m
Reel	$\varnothing 330$ x 32.5mm	8
Bag	400 x 400 x 400mm, PE	1
Cardboard Triangles	305 x 310x3mm	4
Carton	350 x 350 x 330mm	1
EPE Board	335 x 335 x 10mm	2

Part Number	Pcs./Reel	Reels/Carton	Pcs./Carton
USB1020	350	8	2800



Part Number USB1020		Product Description USB Rec, Type A, Mid Mnt, 1.48mm Offset, Through-Hole Horizontal, Bottom Mount, w/Shell Stakes & SMT Holdowns		 <a href="http://www.gct.co">www.gct.co</a>
Drawing Date 14th February 2011				
By CC	Tolerances (Except as Noted) Length Angle	Units: Metric (mm)	  This drawing is confidential and copyright of Global Connector Technology, Ltd (GCT). This drawing must not be copied or disclosed without written consent. E & OE	
Detail Drawing Release				
Revision A4				
Date 02/11/23				
Not to Scale		Drawn By SA	Sheet No. 2/2	