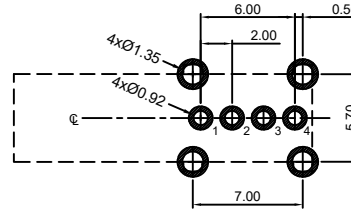
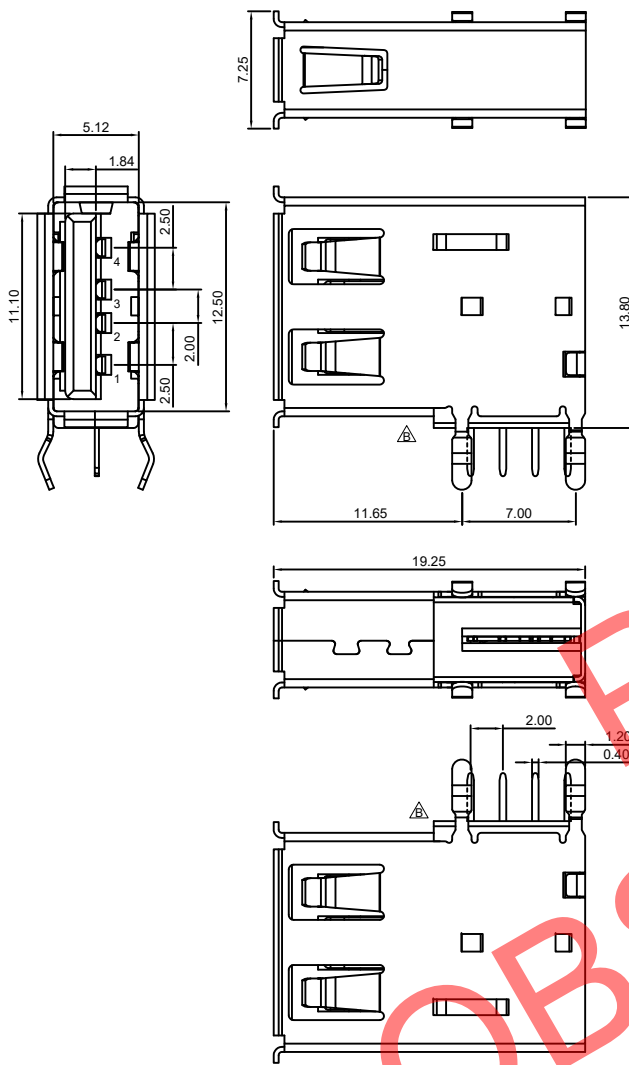
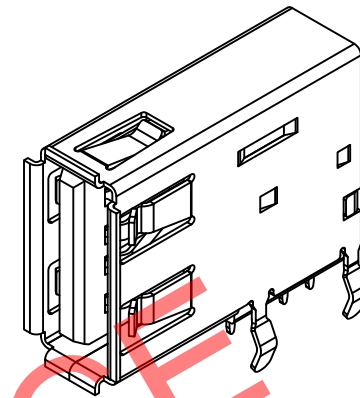


Global Connector Technology Ltd. - USB1025:USB Receptacle, Type A, 4 Pin, Through Hole, Upright, With Kinked Shell Stakes, Standard (left) insulator orientation



**Recommended P.C.B Layout**  
 Thickness: 1.2mm General Tolerance: ±0.05  
 as Viewed from Component Side



**Specifications 规格:**

**Materials & Plating 物料与电镀:**

**Plastic Housing 塑胶外壳:** Thermoplastic, Glass Fibre Filled, UL94V-0, Black 热塑性塑料, PBT; 玻纤填充, UL94V-0; 黑色

**Contact Terminal 接触端子:** Phosphor Bronze 磷青铜

**Metallic Shell 金属外壳:** Brass 黄铜

**Metallic Shell Rear 金属外壳后:** SPCC

**Finish 表面处理:**

**Underplating 底层电镀:** 50µ" Nickel 50µ" 镍

**Plating 电镀:**

**Contact Area:** Gold Flash or 30µ" Gold 闪金或30µ"金

**Solder Tails 焊接末端:** 50µ" Tin 50µ" 锡

**Metallic Shell 金属外壳:** Nickel 镍

**Electrical 电气规格:**

**Voltage Rating 电压额定值:** 30V

**Current Rating 电流额定值:** 1.5A

**Operating Temperature 工作温度:** -40°C to +85°C

**Contact Resistance 接触电阻值:** 30mΩ Max.

**Insulating Resistance 绝缘电阻值:** 1000MΩ Min.

**Dielectric Withstand Voltage 耐电压:** 500V AC

**Mechanical 机械性规格:**

**Mating Force 插入力:** 35N (3.57Kgf) Max.

**Unmating Force 拔出力:** 10N (1.02Kgf) Min.

**Durability 耐久性:** 1,500 Cycles 1500次插拔

**Ordering Grid**



**Contact Plating**  
**GF = Gold Flash (Standard)**  
 30 = 30µ" Gold

**Packing Options**  
 B = Tray (100 per tray)  
**Insulator Material**  
 P = PBT

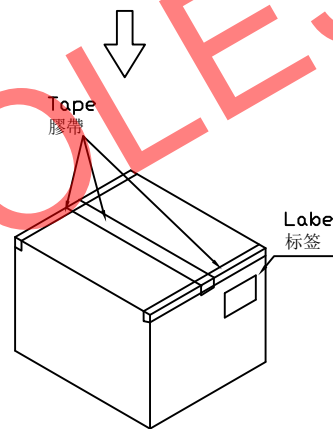
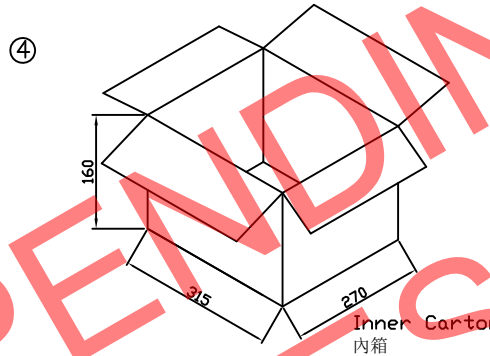
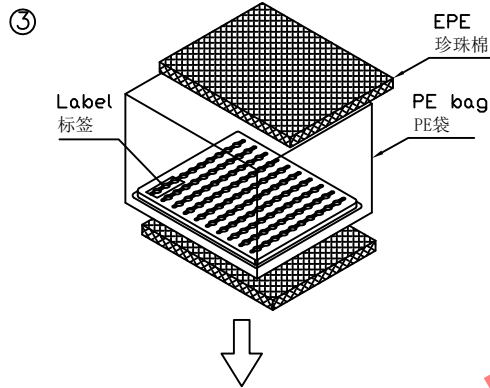
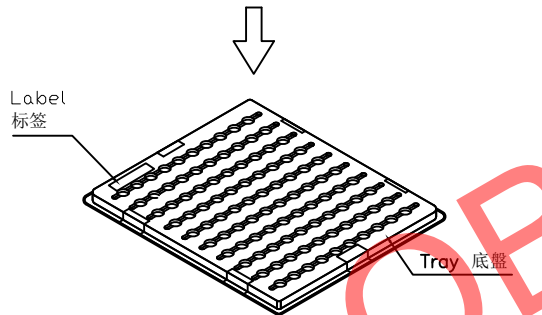
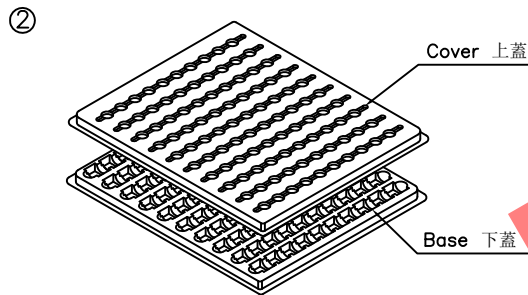
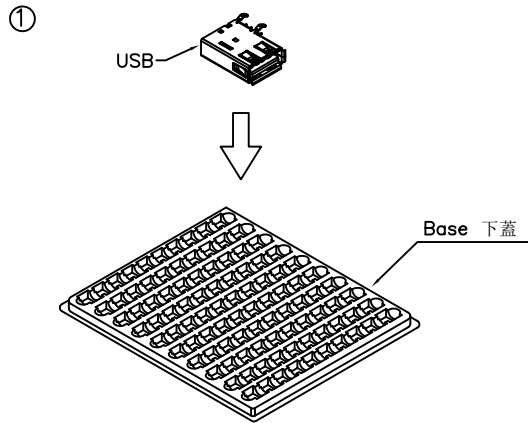
By	SA	AJO
DETAIL	DRAWING RELEASE	PCN USB1025 -001
REV DATE	A 14/02/11	B 16/12/13



Tolerances (Except as noted)	Part Number:-	Date:-
Dimensions in mm	USB1025	14 FEB 11
X.X ± 0.35 X° ± 1°	Description:-	
X.XX ± 0.25 X.X° ± 0.5°	USB RECEPTACLE, TYPE A, 4 PIN, THROUGH HOLE, UPRIGHT, WITH KINKED SHELL STAKES	
	THIS DRAWING IS CONFIDENTIAL AND MUST NOT BE COPIED OR DISCLOSED WITHOUT WRITTEN CONSENT	



Scale NTS	Revision A	Material See Note	Drawn by SA	E & OE	Sheet No. 1/2
-----------	------------	-------------------	-------------	--------	---------------



Products P/N	PCS/Tray	Trays/Carton	PCS/Carton
USB1025-XX-P-B	100	10	1000

Packing Rules 封装規則?

1. USB's placed into the tray base. 将USB连接器放入吸塑盘内
2. Tray cover and base taped together to keep USB's in place. USB连接器放好后, 加上吸塑盖, 并用胶带缠绕好
3. 10 trays put into carton. 10吸塑盘一叠, 放入纸箱
4. Boxed taped and label stuck on the outer carton. 用胶带封住纸箱; 并贴上标签。

By	SA	AJO
DETAIL	DRAWING RELEASE	PCN USB1025-001
REV DATE	A 14/02/11	B 16/12/13



Tolerances (Except as noted)	Part Number:-	Date:-
Dimensions in mm	USB1025	14 FEB 11
	Description:-	
	USB RECEPTACLE, TYPE A, 4 PIN, THROUGH HOLE, UPRIGHT, WITH KINKED SHELL STAKES	
	© THIS DRAWING IS CONFIDENTIAL AND MUST NOT BE COPIED OR DISCLOSED WITHOUT WRITTEN CONSENT	



Scale	Revision	Material	Drawn by	Sheet No.
NTS	B	See Note	SA	2/2