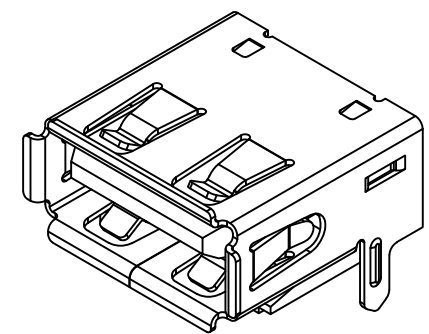
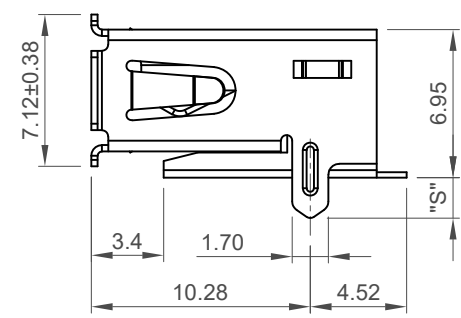


Recommended PCB Layout (Top View)
 T=1.4mm (General Tolerances: ±0.05mm)
 ▨ Solder Area □ Component Outline



Specifications

Materials & Plating
 Plastic Housing: LCP, UL94V-0, Black
 Contact Terminal: Copper Alloy
 Metallic Shell: SPCC

Plating:
 Underplating: 50µ" Nickel
 Contact Area: Gold Flash
 Solder Tails: 50µ" Tin
 Metallic Shel: Nickel

Electrical:
 Voltage Rating: 30V
 Current Rating: 1.5A
 Operating Temperature: -40°C to +85°C
 Contact Resistance: 30 mΩ max.
 Insulating Resistance: 1000 MΩ min.
 Dielectric Withstand Voltage: 500V AC

Mechanical:
 Mating Force: 35N (3.57Kgf) max.
 Unmating Force: 10N (1.02Kgf) min.
 Durability: 1,500 Cycles

Ordering Grid

USB1046 - GF - XXXX - L - B - X Request Samples and Quotation

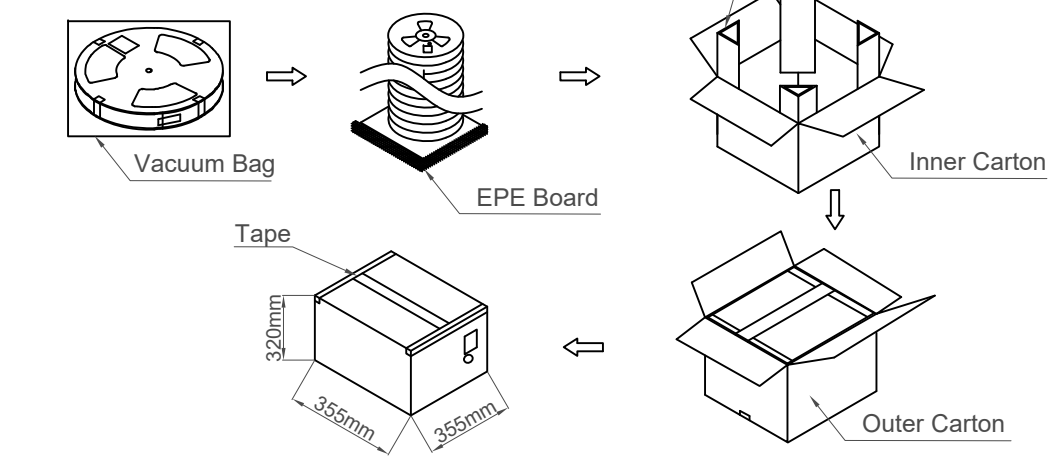
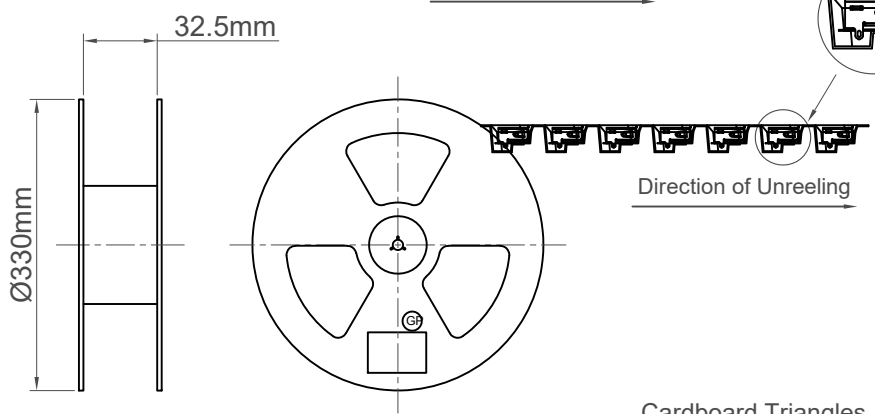
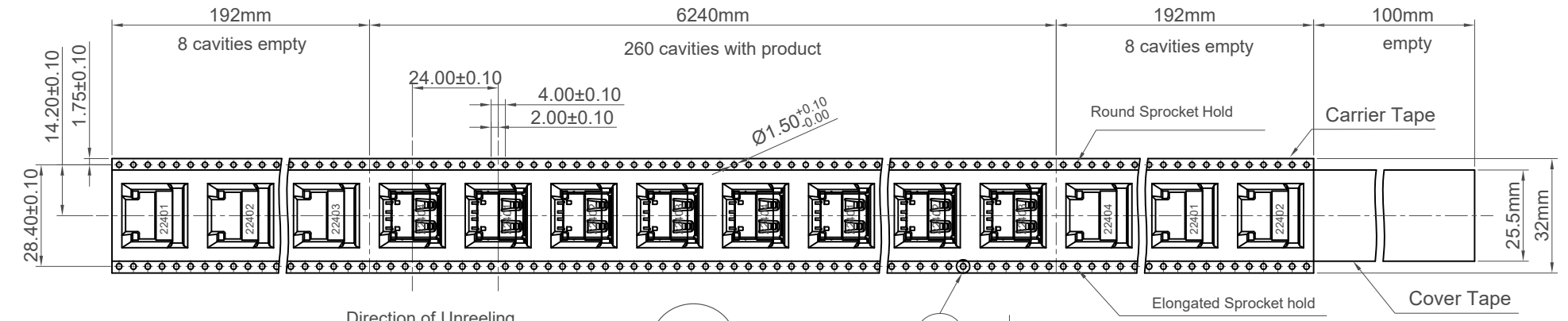
Contact Plating
 GF = Gold Flash

Shell Stake Length "S"
0190 = 1.9mm (Standard)
 (for 1.60mm thick PCB)
0270 = 2.7mm
 (for 2.00mm thick PCB)

Packing Options
A = Tape & Reel (Standard)
 (260 per reel)
 B = Tray
 Insulator Colour
 B = Black

Insulator Material
 L = LCP

Part Number		Product Description			www.gct.co
USB1046		USB Receptacle, Type A, 4 Pin, Surface Mount, Horizontal, Top Mount, with Shell Stakes			
Drawing Date		8th September 2014			
By	CC	Tolerances (Except as Noted)	Units:		
Detail	USB1046 B PCN	Length	Metric (mm)		
Revision	B4	Angle			
Date	13/05/22	X.X ± 0.35 X.XX ± 0.25	X.° ± 3° X.X° ± 1.5°		
		3rd Angle Projection		This drawing is confidential and copyright of Global Connector Technology, Ltd (GCT). This drawing must not be copied or disclosed without written consent. E & OE	
				Not to Scale	Drawn By AJO
				Sheet No. 1/2	



Part Number	Specification	Q'ty
Carrier Tape	32.0mm (W) x 6.624m (L)	8
Cover Tape	25.5mm (W) x 6.724m(L)	8
Reel	Ø330 x 32.5mm	8
Vacuum Bag	PE	8
Cardboard Triangles	260 x 245x 5mm	4
Inner Carton	340 x 340 x 300mm	1
Outer Carton	355 x 355 x 320mm	1
EPE Board	350 x 350 x 10mm	1

Part Number	Pcs./Reel	Reels/Carton	Pcs./Carton
USB1046	260	8	2080

Part Number USB1046		Product Description USB Receptacle, Type A, 4 Pin, Surface Mount, Horizontal, Top Mount, with Shell Stakes	
Drawing Date 8th September 2014			
By CC	Tolerances (Except as Noted) Length	Units: Metric (mm)	 This drawing is confidential and copyright of Global Connector Technology, Ltd (GCT). This drawing must not be copied or disclosed without written consent. E & OE
Detail USB1046 B PCN	Angle	3rd Angle Projection	
Revision B4			
Date 13/05/22			

