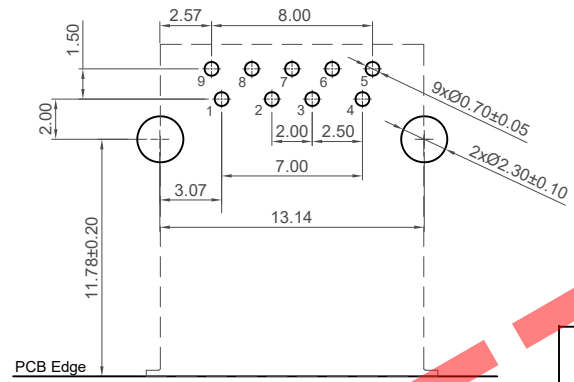
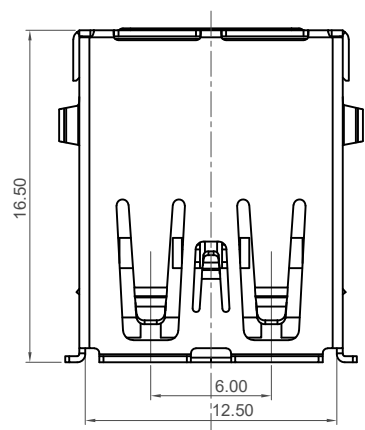
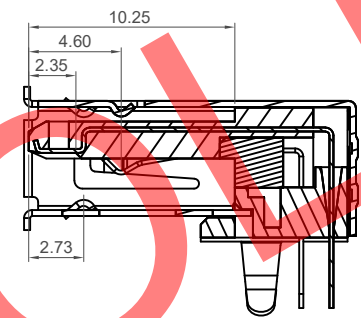
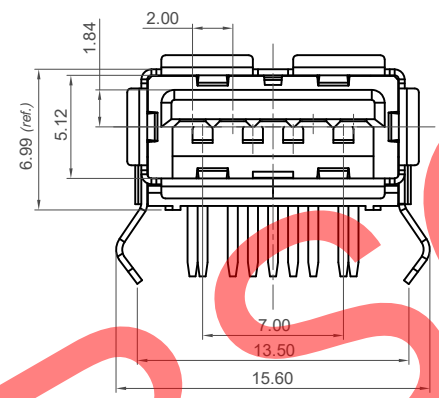
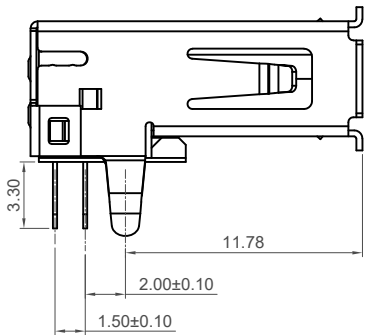
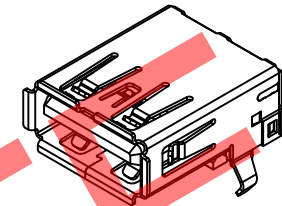


H
G
F
E
D
C
B
A

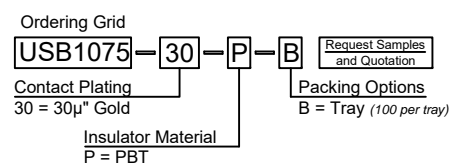
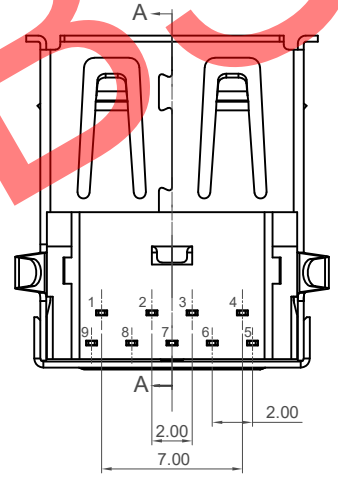


Recommended P.C.B Layout
as viewed from component side
□ Component Outline

Designed to comply with physical, electrical and environmental requirements of full size USB Standard Compliance (USB3.0).



Section A-A



Specifications

Material

Plastic Housing: PBT, UL94V-0, Blue
Contact Terminal: Copper Alloy
Metallic Shell: Copper Alloy

Plating

Underplating: Nickel
Contact Area: 30µ" Gold
Solder Tails: 100µ" min. Tin
Metallic Shell: Nickel

Electrical

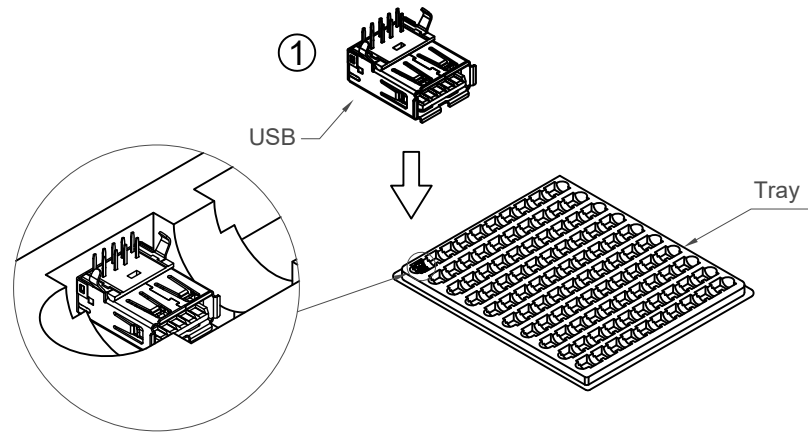
Voltage Rating: 100V
Current Rating:
0.25 A (Signal Pins 2,3,5,6,7,8,9)
1.8 A (Power Pins 1,4)
Operating Temperature: -55°C to +85°C
Contact Resistance: 30 mΩ max.
Insulating Resistance: 1000 MΩ min.
Dielectric Withstand Voltage: 100V AC

Mechanical & Environmental

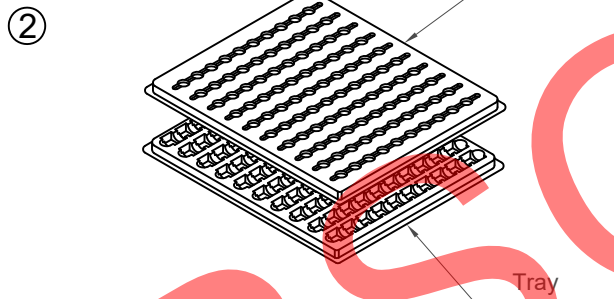
Mating Force: 35N max.
Unmating Force: 10N initial, 8N min. after test
Durability: 5,000 Cycles

Part Number USB1075		Product Description USB 3.0 Receptacle, Type A, Through Hole, Horizontal, 9 Pin, Top Mount, with Kinked Shell Stakes			 www.gct.co
Drawing Date 16th May 2011					
By	CC	Tolerances (Except as Noted)	Units:	This drawing is confidential and copyright of Global Connector Technology, Ltd (GCT). This drawing must not be copied or disclosed without written consent. E & OE	Not to Scale Drawn By AJO Sheet No. 1/2
Detail	USB1075	Length	Metric (mm)		
Revision	X	Angle	3rd Angle Projection		
Date	29/06/23	X.X ± 0.40 X.XX ± 0.25 X.XXX ± 0.05	X.X° ± 2° X.XX° ± 1° X.XXX° ± 0.5°		

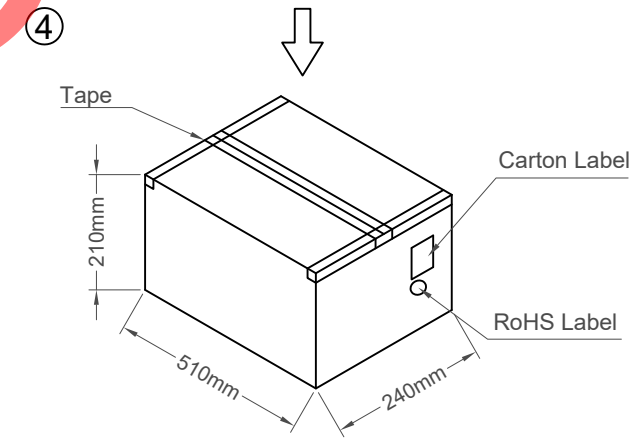
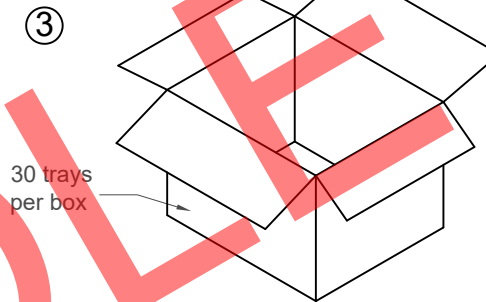
H
G
F
E
D
C
B
A



Solder tails face up in the tray



Products P/N	PCS/Tray	Trays/Carton	PCS/Carton
USB1075	100	30	3000



OBSOLETE

Part Number		Product Description	
USB1075		USB 3.0 Receptacle, Type A, Through Hole, Horizontal, 9 Pin, Top Mount, with Kinked Shell Stakes	
Drawing Date		16th May 2011	
By	CC	Tolerances (Except as Noted)	Units:
Detail	USB1075 X PCN	Length X.X ± 0.40 X.XX ± 0.25 X.XXX ± 0.05	Metric (mm)
Revision	X	Angle X.X° ± 2° X.XX° ± 1° X.XXX° ± 0.5°	3rd Angle Projection
Date	29/06/23		



This drawing is confidential and copyright of Global Connector Technology, Ltd (GCT). This drawing must not be copied or disclosed without written consent. E & OE



Not to Scale	Drawn By AJO	Sheet No. 2/2
--------------	--------------	---------------

1 2 3 4 5 6 7 8