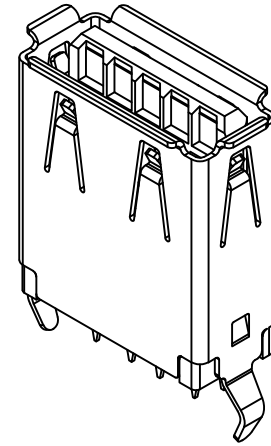


Recommended PCB Layout (Top View)
T=1.6mm (General Tolerances: ±0.05mm)



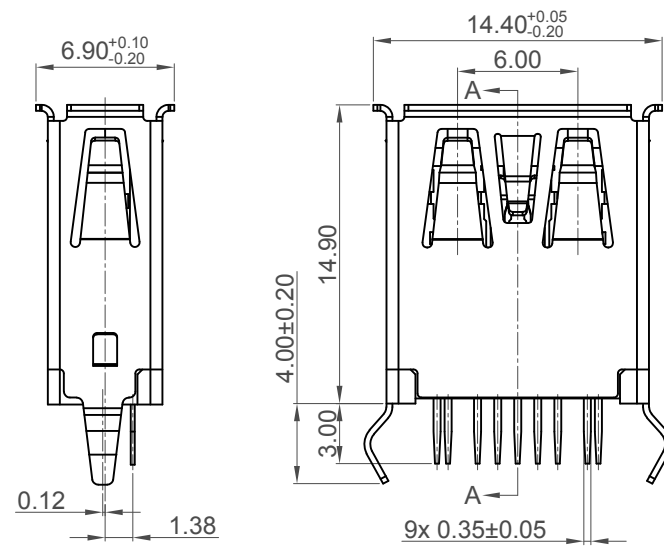
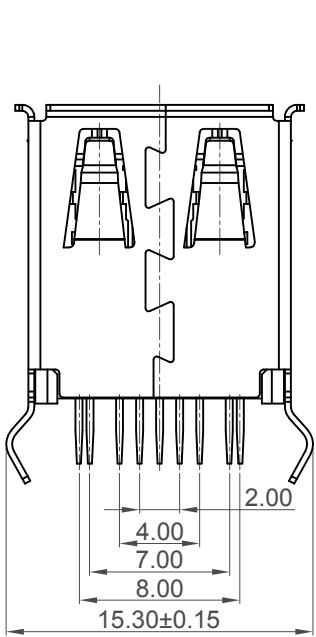
Specifications

Materials & Plating
 Plastic Housing: LCP, Blue, UL94V-0
 Contact Terminal: Copper Alloy, T=0.20mm
 Metallic Shell: SUS201, T=0.30mm

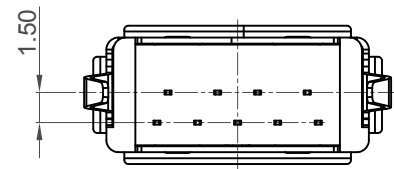
Plating:
 Contact:
 Contact Area: Gold Flash
 Solder Tails: 100u" min. Tin
 Underplating: 50u" min. Nickel
 Shell: 50u" min. Nickel Plating Overall

Electrical:
 Voltage Rating: 30V
 Current Rating: 0.25A (Signal Pins)
 3.0A (Power Pins)
 Operating Temperature: -40°C to +85°C
 Contact Resistance:
 30 mΩ max. (Power Pins)
 50 mΩ max. (Signal Pins)
 Insulation Resistance: 100 MΩ min.
 Dielectric Withstand Voltage: 100V R.M.S.

Mechanical:
 Mating Force: 35N max.
 Unmating Force: 10N min. Initial
 8N min. Final
 Durability: 20000 Cycles



Section A-A



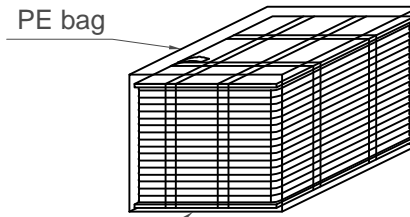
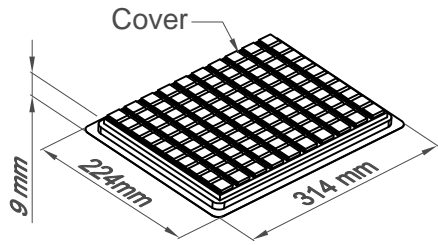
Pin No.	Signal
1	VBUS
2	D-
3	D+
4	GND
5	STDA_SSRX-
6	STDA_SSRX+
7	GND_DRAIN
8	STDA_SSTX-
9	STDA_SSTX+

Ordering Grid

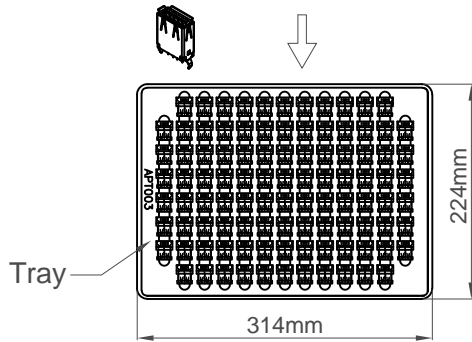
USB1086 - **GF** - **B** Request Samples and Quotation

Contact Plating GF = Gold Flash **Packing Options** B = Tray (100 per tray)

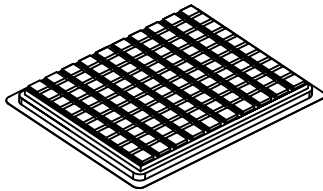
Part Number USB1086		Product Description USB 3.0 Receptacle, Type A, Through Hole, Vertical, Top Mount		
Drawing Date 06th January 2020				
By	CC	Tolerances (Except as Noted)	Units:	
Detail	Drawing Release	Length X.X ± 0.35 X.XX ± 0.25	Angle X.° ± 3.0° X.X° ± 1.5°	
Revision	A2			
Date	08/12/20			
This drawing is confidential and copyright of Global Connector Technology, Ltd (GCT). This drawing must not be copied or disclosed without written consent. E & OE				©
Not to Scale	Drawn By CC	Sheet No. 1/2		



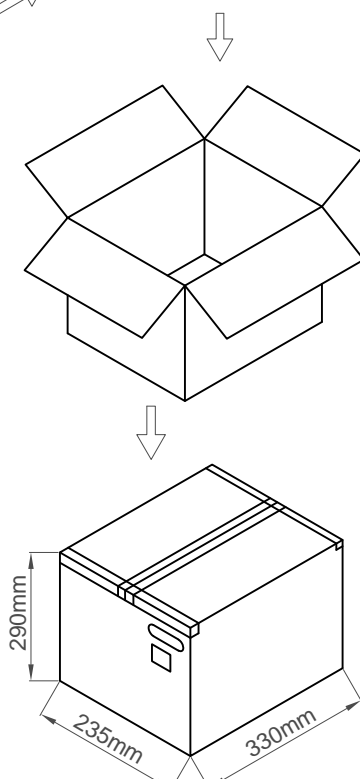
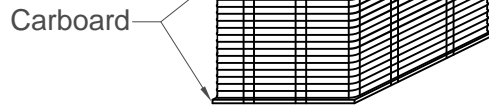
32 Trays/Stack



100PCS/tray



Use stretch film winding



PCS/Tray	Trays/Carton	PCS/Carton
100	32	3200

Part Number		Product Description	
USB1086		USB 3.0 Receptacle, Type A, Through Hole, Vertical, Top Mount	
Drawing Date		06th January 2020	
By	CC	Tolerances (Except as Noted)	Units:
Detail	Drawing Release	Length	Metric (mm)
Revision	A2	$X.X \pm 0.35$	$X.^{\circ} \pm 3.0^{\circ}$
Date	08/12/20	$X.XX \pm 0.25$	$X.X^{\circ} \pm 1.5^{\circ}$
		3rd Angle Projection	
		This drawing is confidential and copyright of Global Connector Technology, Ltd (GCT). This drawing must not be copied or disclosed without written consent. E & OE	



Not to Scale	Drawn By CC	Sheet No. 2/2
--------------	-------------	---------------