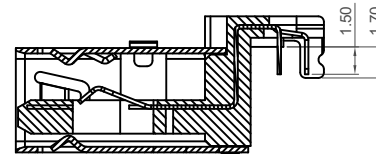
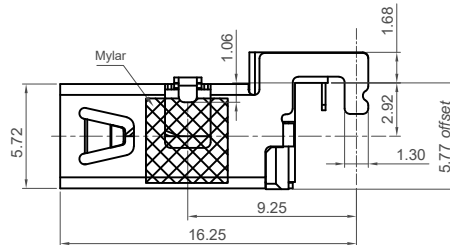
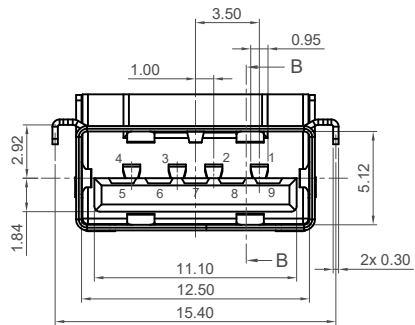
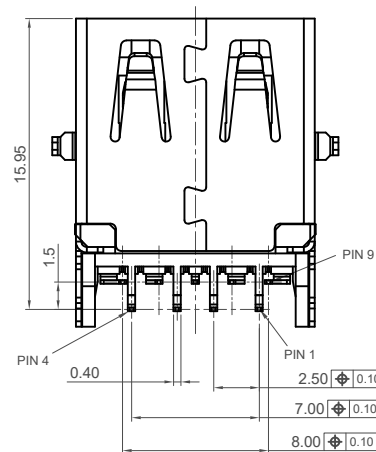


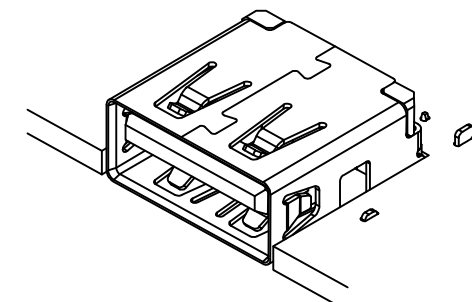
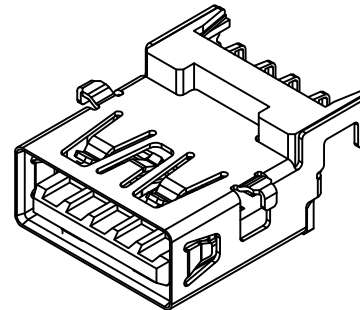
**Recommended PCB Layout**  
as viewed from bottom side. Tolerance: ±0.05mm  
□ Component Outline    ▣ Keep Out Area



SECTION B-B



PIN No.	SIGNAL NAME	DESCRIPTION	MATING SEQUENCE
1	VBUS	POWER	SECOND
2	D-	USB2.0 DIFFERENTIAL PAIR	THIRD
3	D+		
4	GND	GROUND FOR POWER RETURN	SECOND
5	StdA_SSRX-	SUPERSPEED RECEIVER DIFFERENTIAL PAIR	LAST
6	StdA_SSRX+		
7	GND_DRAIN	GROUND FOR SIGNAL RETURN	LAST
8	StdA_SSTX-	SUPERSPEED TRANSMITTER DIFFERENTIAL PAIR	LAST
9	StdA_SSTX+		
SHELL	Shield	CONNECTOR METAL SHELL	FIRST



**Specifications**

**Material**

Plastic Housing: PA9T, UL94V-0 Blue  
Contact Terminal: Copper Alloy  
Metallic Shell: Stainless Steel (T=0.30mm)

**Plating**

Underplating: 50µ" min. Nickel  
Contact Area: Gold - see ordering grid.  
Solder Tails: 80µ" Tin  
Metallic Shell: 80µ" min. Nickel

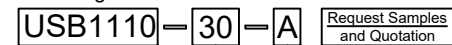
**Electrical**

Voltage Rating: 100V AC/DC  
Current Rating: 0.25A (Signal Pins 2,3,5,6,7,8,9)  
1.8A (Power Pins 1,4)  
Operating Temperature: -55°C to +85°C  
Contact Resistance: 30 mΩ max.  
Insulating Resistance: 100 MΩ min.  
Dielectric Withstand Voltage: 500V AC/minute

**Mechanical & Environmental**

Mating Force: 35N max.  
Unmating Force: 10N min. initial,  
8N min. after test.  
Durability: 5000 Cycles

**Ordering Grid**



Contact Plating  
30 = 30µ" Gold

Packing Options  
A = Tape & Reel  
(350 per reel)

Part Number		Product Description	
USB1110		USB 3.0 Receptacle, Full Size, Type A, Mid-Bottom Mount, Horizontal, Through-Hole	
Drawing Date		20th February 2013	
By	CC	Tolerances (Except as Noted)	Units:
Detail	Drawing Release	Length X. ± 0.50 X.X ± 0.38 X.XX ± 0.20 X.XXX ± 0.10	Metric (mm)
Revision	A3	Angle ± 2°	3rd Angle Projection
Date	05/10/23		

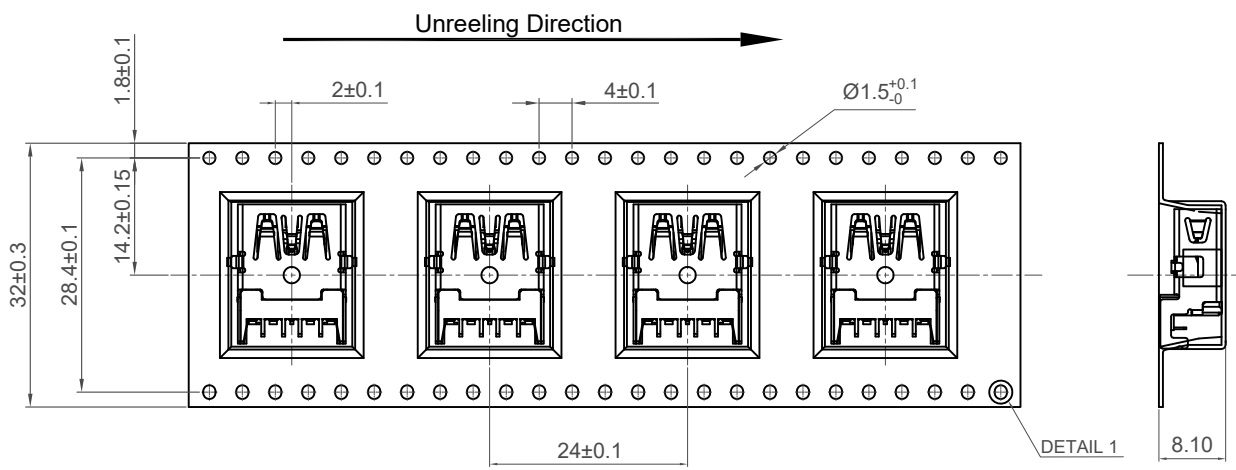
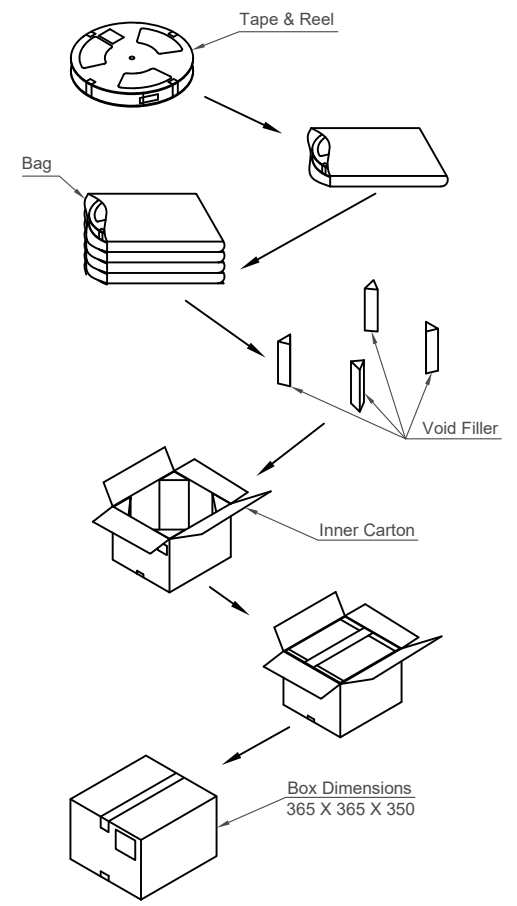
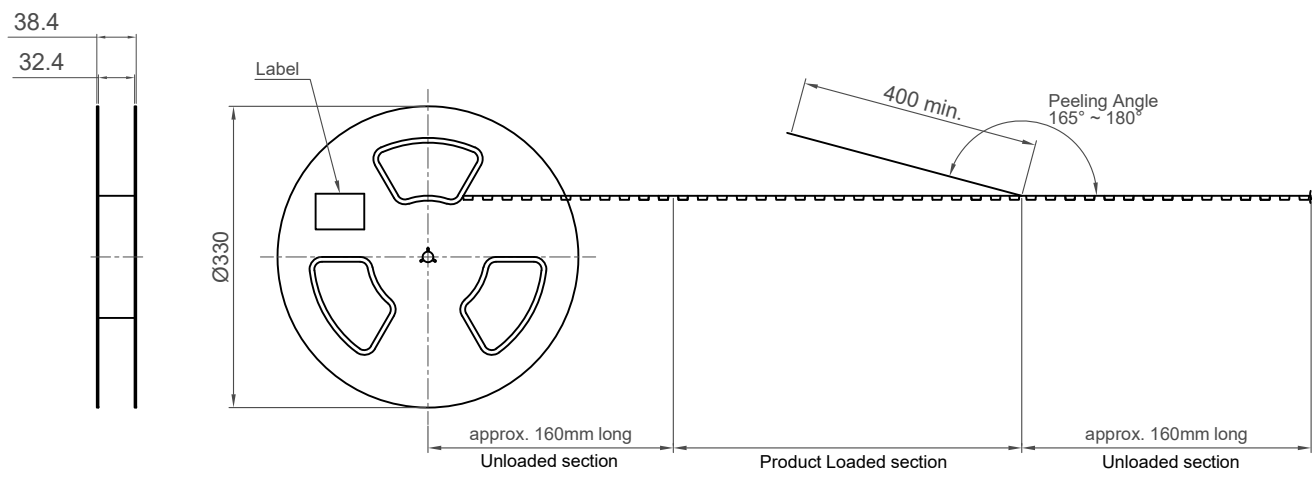


This drawing is confidential and copyright of Global Connector Technology, Ltd (GCT). This drawing must not be copied or disclosed without written consent. E & OE



Not to Scale	Drawn By AJO	Sheet No. 1/2
--------------	--------------	---------------

H  
G  
F  
E  
D  
C  
B  
A



**Note:**

1. Material:  
 Box: Fibreboard, Corrugated, Double Wall.  
 Tape: Polystyrene, Heat-Resistant Temperature: 120°C, Color: Black.  
 Reel: Polystyrene, Heat-Resistant Temperature: 70°C, Color: Blue.  
 Bag: Polystyrene, Heat-Resistant Temperature: 100°C.
2. Peeling Strength: 0.1 ~ 1.3 N (10 ~ 130 Grams)
3. Peeling Speed: 300 mm/min.
4. Each bag includes desiccant.

Product no.	PCS/Reel	Reels/Carton	PCS/Carton
USB1110	350	8	2800

Part Number		Product Description	
USB1110		USB 3.0 Receptacle, Full Size, Type A, Mid-Bottom Mount, Horizontal, Through-Hole	
Drawing Date		20th February 2013	
By	CC	Tolerances (Except as Noted)	Units:
Detail	Drawing Release	Length X. ± 0.50 X.X ± 0.38 X.XX ± 0.20 X.XXX ± 0.10	Metric (mm)
Revision	A3	Angle ± 2°	3rd Angle Projection
Date	05/10/23		



This drawing is confidential and copyright of Global Connector Technology, Ltd (GCT). This drawing must not be copied or disclosed without written consent. E & OE



Not to Scale	Drawn By AJO	Sheet No. 2/2
--------------	--------------	---------------