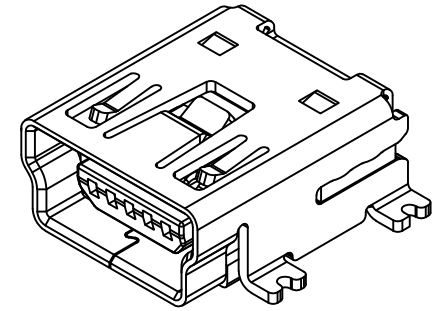


▨ Solder Area □ Component Outline



Specifications:

Materials:

Plastic Housing: LCP UL94V-0, Black
Contact Terminal: Phosphor Bronze, T=0.25mm
Metallic Shell: Brass, T=0.4mm

Plating:

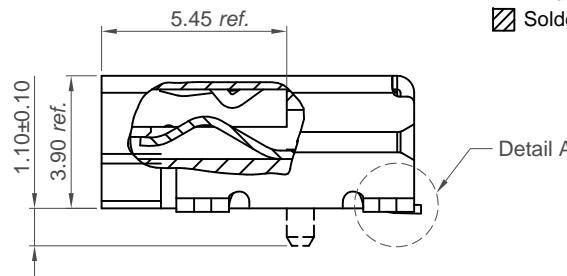
Contact Terminal plating:
Underplating: Nickel all over
Contact Area: 15µ" Gold
Solder Tails: Bright Tin
Metallic Shell plating: Matte Tin 50µ" all over
Underplating: Nickel 50µ" all over

Electrical:

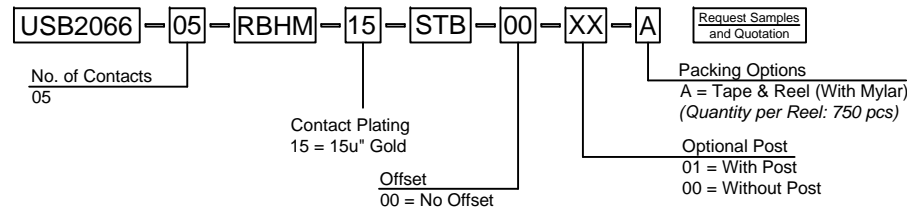
Voltage Rating: 30VDC
Current Rating: 1A
Operating Temperature: -50°C to +85°C
Contact Resistance: 50mΩ Max.
Insulation Resistance: 100MΩ Min
Dielectric Withstanding Voltage:
100VAC for 1 minute, No Discharge or Flash

Mechanical:

Mating Force: 35N (3.57Kg) Max.
Unmating Force: Initial 7N (0.71Kg) Min.
Final 3N (0.31Kg) Min.
Durability: 5,000 Cycles



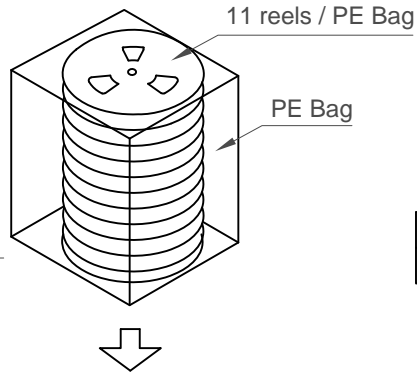
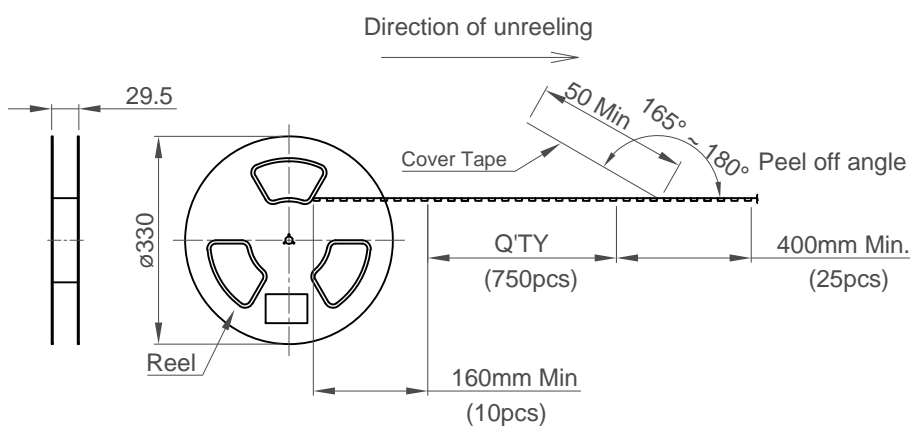
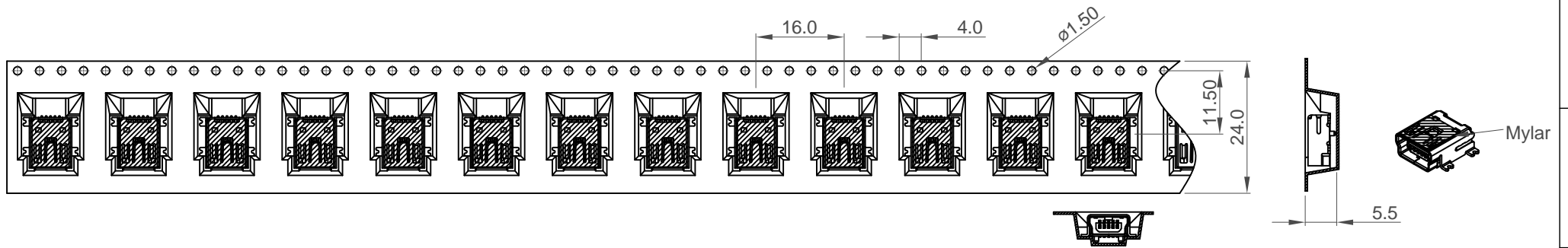
Ordering Grid



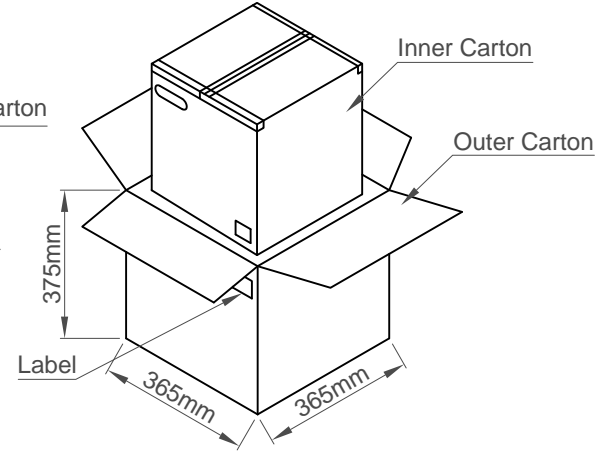
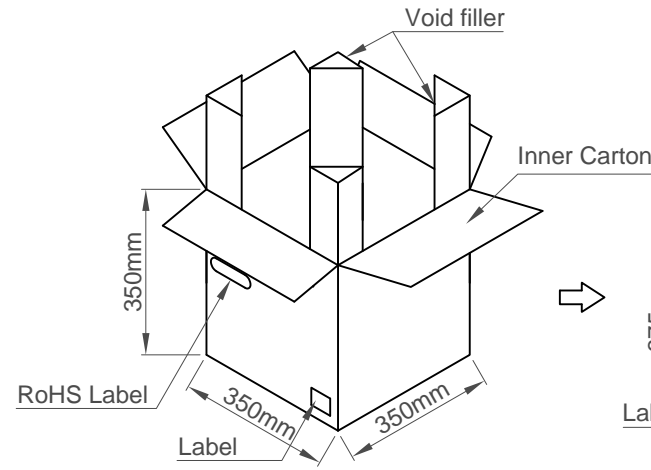
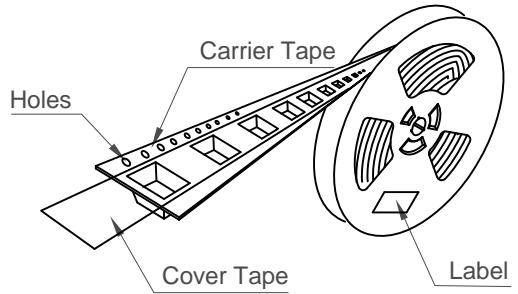
| | | | | | |
|--------------|----------|---|--|--|--|
| Part Number | | Product Description | | | This drawing is confidential and copyright of Global Connector Technology, Ltd (GCT). This drawing must not be copied or disclosed without written consent. E & OE |
| USB2066 | | Mini USB Receptacle, Type B, 5 Pin, SMT, Horizontal, Optional Post, 9.40mm Length | | | |
| Drawing Date | | 4th June 2009 | | | |
| By | CC | Tolerances (Except as Noted) | Units: | | |
| Detail | USB2066 | Length | Metric (mm) | | |
| Revision | D1 | Angle | | | |
| Date | 17/01/20 | X.X ± 0.35 X.XX ± 0.25 X.XXX ± 0.150 | X.° ± 1° X.X° ± 0.5° X.XX° ± 0.25° | | |



| | | |
|--------------|--------------|---------------|
| Not to Scale | Drawn By LYH | Sheet No. 1/2 |
|--------------|--------------|---------------|



| Pcs / Reel | Reels / Carton | Total Quantity |
|------------|----------------|----------------|
| 750 | 11 | 8250 pcs |



| | | | |
|-------------------------------|--|--|-------------------------------------|
| Part Number USB2066 | | Product Description Mini USB Receptacle, Type B, 5 Pin, SMT, Horizontal, Optional Post, 9.40mm Length | |
| Drawing Date 4th June 2009 | | | |
| By CC | Tolerances (Except as Noted) Length | Units: Metric (mm) | |
| Detail USB2066 D PCN | Angle | | |
| Revision D1 | | | |
| Date 17/01/20 | | | |
| | | This drawing is confidential and copyright of Global Connector Technology, Ltd (GCT). This drawing must not be copied or disclosed without written consent. E & OE | |
| | | www.gct.co | |
| | | Not to Scale | Drawn By LYH Sheet No. 2/2 |