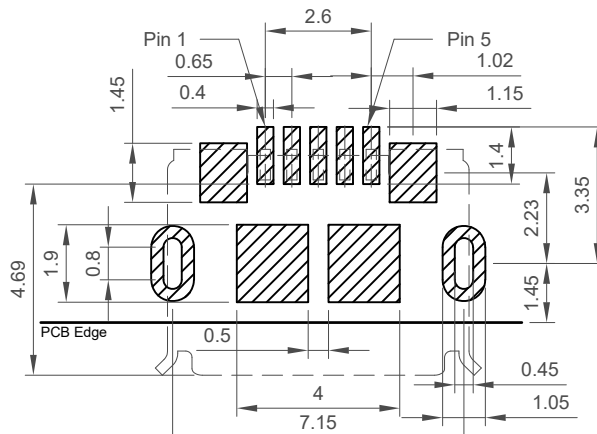
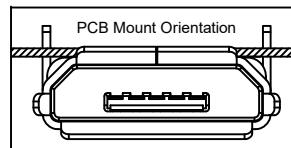
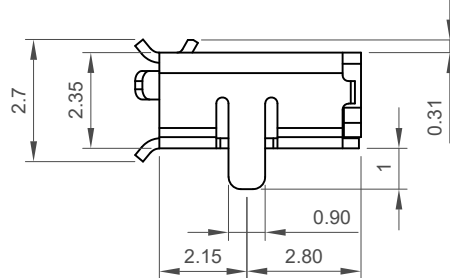


Designed to comply with physical, electrical and environmental requirements of Micro USB Standard (USB2.0).



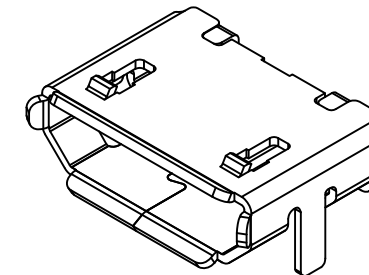
Recommended PCB Layout
As viewed from component side General Tolerance: ±0.05



Ordering Grid

USB3075 = **30** = **A** Request Samples and Quotation

Contact Plating: 30 = 30u" Gold
 Packing Options: A = Tape & Reel (1.5K per Reel)



Specifications

Materials

Plastic Housing: LCP, UL94V-0, Black
 Contact Terminal: Copper Alloy
 Metallic Shell: Stainless Steel, SUS304, T= 0.25mm

Plating

Underplating: 50µ" Nickel
 Contact Area: 30µ" Gold
 Solder Tails: Gold Flash
 Metallic Shell: Matte Tin

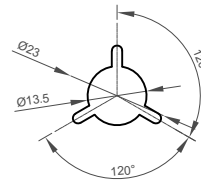
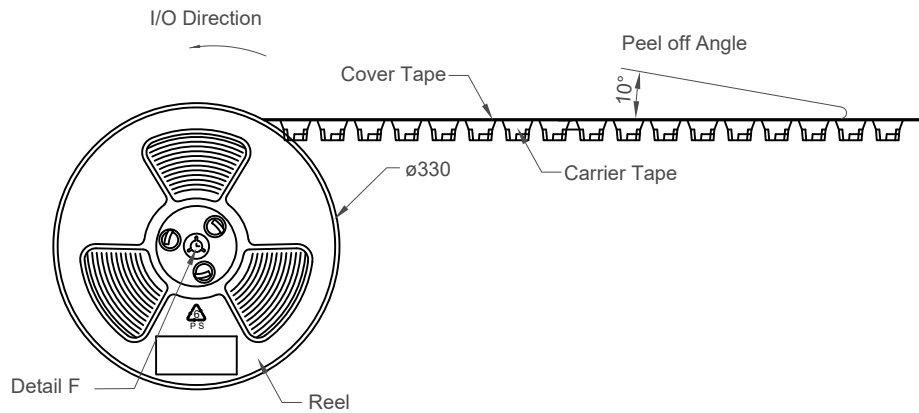
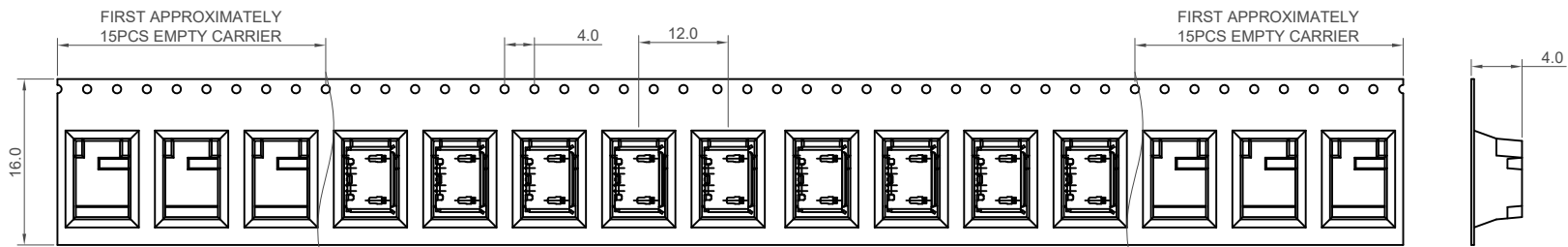
Electrical

Voltage Rating: 30V AC
 Current Rating: Signal(Pins 2,3,4):1.0 A.
 Power (Pins 1,5):1.8A.
 Operating Temperature: -30°C to +85°C
 Contact Resistance: 30 mΩ max.
 Insulating Resistance: 1000 MΩ min.
 Dielectric Withstand Voltage: 500V AC/minute

Mechanical & Environmental

Mating Force: 35N max.
 Unmating Force: Initial 10N min.
 Final 8N min after durability test.
 Durability: 10,000 Cycles

Part Number		Product Description		
USB3075		Micro USB Receptacle, Type B, SMT, Horizontal, Bottom Mount (Standard), without Peg, with Outer Shell Stakes		
Drawing Date		4th February 2011		
By		CC		
Detail	USB3075	Tolerances (Except as Noted)	Units: Metric (mm)	 This drawing is confidential and copyright of Global Connector Technology, Ltd (GCT). This drawing must not be copied or disclosed without written consent. E & OE
Revision	D4			
Date	17/07/23	X.X ± 0.2 X.XX ± 0.10 X.XXX ± 0.05	X.X° ± 2° X.XX° ± 1° X.XXX° ± 0.5°	
		3rd Angle Projection		
Not to Scale	Drawn By SA	Sheet No. 1/2		

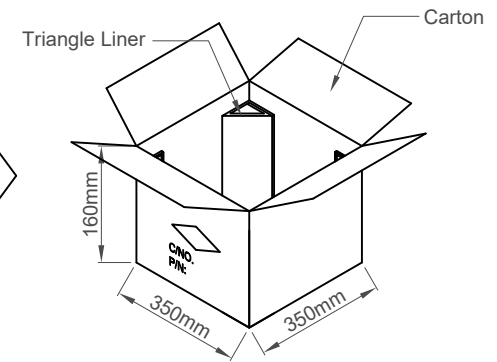
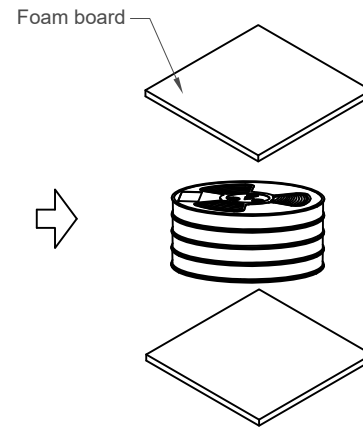
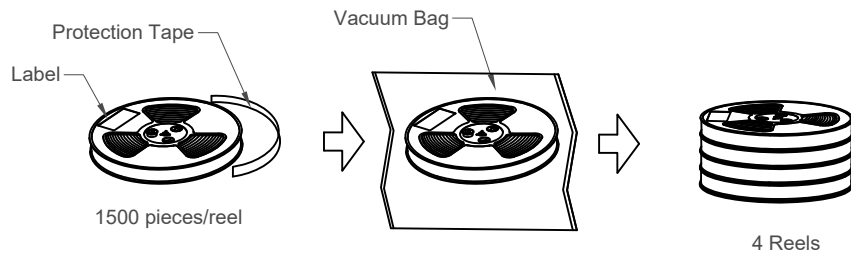


Detail F

Products P/N	PCS/Reel	Reels/Carton	PCS/Carton
USB3075	1500	4	6000

Notes:

1. Peeling off force of top tape: 0.1-1.3N
2. Part Conforms to EIA-481-C Standards
3. All dimensions in millimeters
4. 10 sprocket hole pitch cumulative tolerance ± 0.2 mm



Part Number USB3075		Product Description Micro USB Receptacle, Type B, SMT, Horizontal, Bottom Mount (Standard), without Peg, with Outer Shell Stakes			This drawing is confidential and copyright of Global Connector Technology, Ltd (GCT). This drawing must not be copied or disclosed without written consent. E & OE	
Drawing Date 4th February 2011		Units: Metric (mm)				
By CC	Tolerances (Except as Noted) Length Angle					
Detail USB3075 D PCN						
Revision D4						
Date 17/07/23				Not to Scale	Drawn By SA	Sheet No. 2/2

