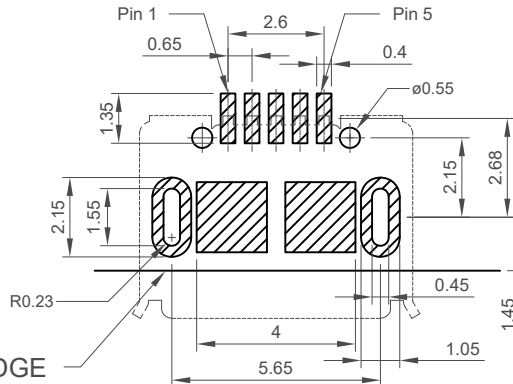
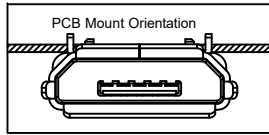


Designed to comply with physical, electrical and environmental requirements of Micro USB Standard (USB2.0).

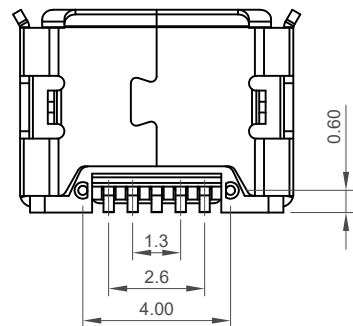
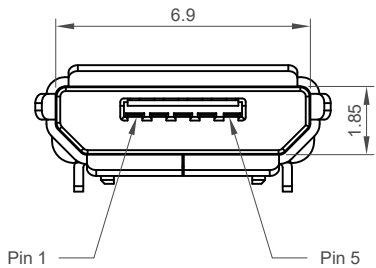
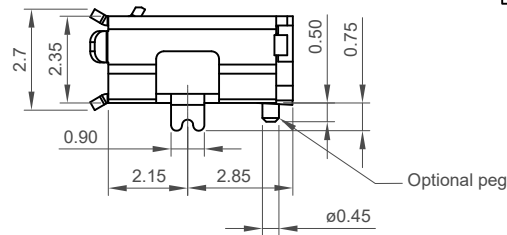


RECOMMENDED P.C.B LAYOUT

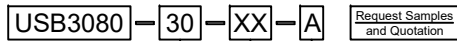
GENERAL TOLERANCE: ± 0.05

AS VIEWED FROM COMPONENT SIDE

- Solder Area
- Component Outline



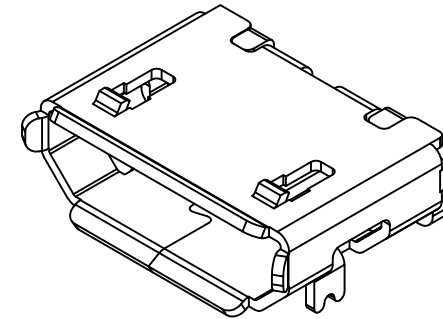
Ordering Grid



Contact Plating
30 = 30u" Gold

Packing Options
A = Tape & Reel
(1.5K per Reel)

Optional Plastic Locating Peg
00 = Without Peg
01 = With Peg (Standard)



Specifications 规格:

Materials 材料:

- Plastic Housing 塑胶外壳: LCP, UL94V-0, Black; LCP, UL94V-0 黑色
- Contact Terminal 接触端子: Copper Alloy 铜合金
- Metallic Shell 金属外壳: Stainless Steel 不锈钢 SUS 304 T = 0.25mm

Plating 电镀:

- Underplating 底层电镀: 50u" Nickel, 50u" 镍
- Finish 表面处理: Contact Area 接触面积: 30u" Gold plating, 30u" 镀金
- Solder Tails 焊接末端: Gold Flash 镀金
- Metallic Shell 金属外壳: Matte Tin 雾锡

Electrical 电气规格:

- Voltage Rating 电压额定值: 30 V AC
- Current Rating 电流额定值: Signal(Pins 2,3,4)信号: 1.0 A.
Power (Pins 1,5)电源: 1.8A.
- Operating Temperature 工作温度: -30°C to +85°C
- Contact Resistance 接触电阻值: 30mΩ Max.
- Insulating Resistance 绝缘电阻值: 1000MΩ Min.
- Dielectric Withstand Voltage 耐电压: 500V AC/Minute

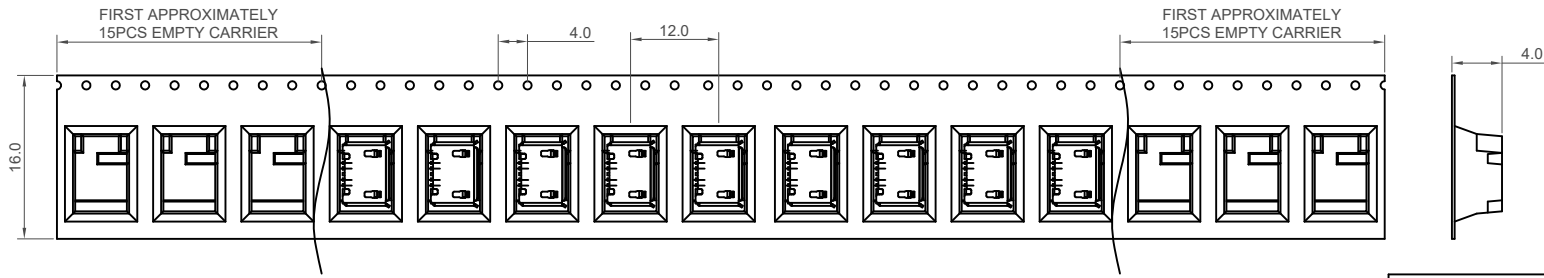
Mechanical 机械性规格:

- Mating Force 插入力: 35N Max.
- Unmating Force 拔出力: Initial 10N min.
Final 8N min after durability test.
- Durability 耐久性: 10,000 Cycles 次插拔

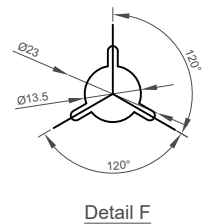
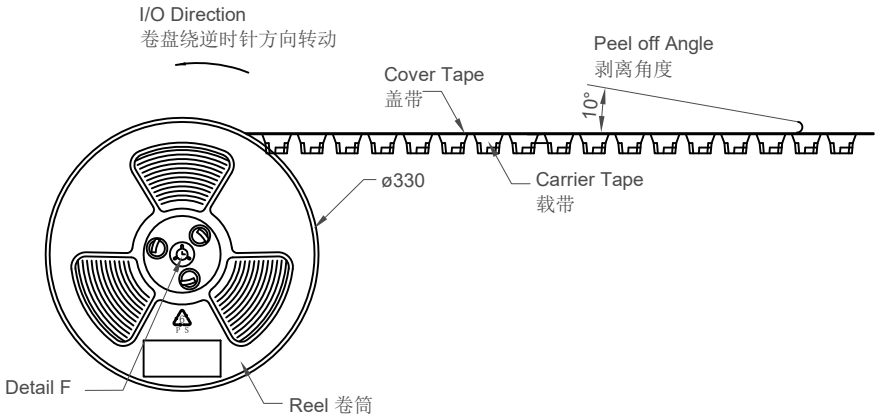
Part Number		Product Description	
USB3080		Micro USB Receptacle, TYPE B, SMT, R/A, Bottom Mount,	
Drawing Date		Optional Peg, With Shell Stakes	
04th April 2011			
By	CC	Tolerances (Except as Noted)	
Detail	USB3080 E PCN	Length	Angle
Revision	E2	X.X ± 0.40	X.X° ± 2°
Date	15/02/17	X.XX ± 0.25	X.XX° ± 1°
		X.XXX ± 0.05	X.XXX° ± 0.5°
		Units:	Metric (mm)
		This drawing is confidential and copyright of Global Connector Technology, Ltd (GCT). This drawing must not be copied or disclosed without written consent. E & OE	



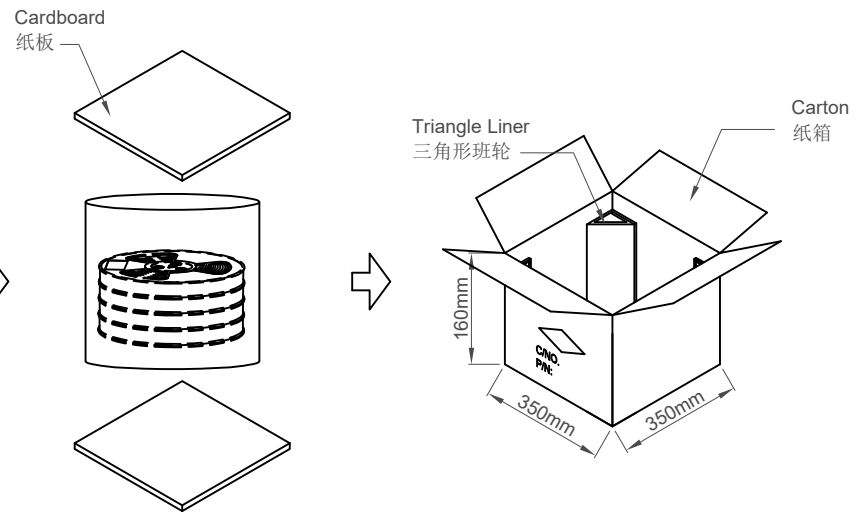
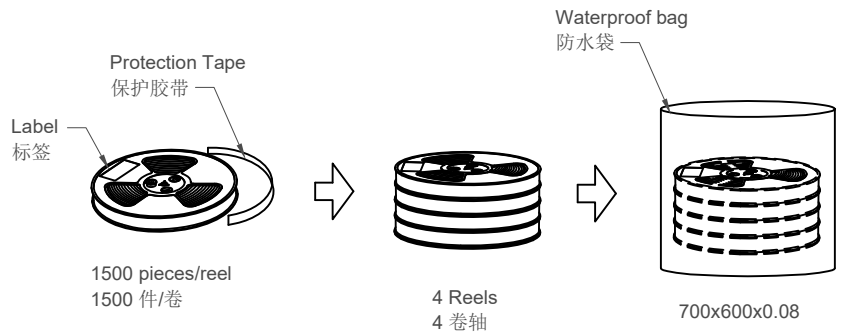
Not to Scale	Drawn By SA	Sheet No. 1/2
--------------	-------------	---------------



Products P/N	PCS/Reel	Reels/Carton	PCS/Carton
USB3080-30-XX-A	1500	4	6000



- Notes/注意:
1. Peeling off force of top tape: 0.1-1.3N
 2. Part Conforms to EIA-481-C Standards/产品符合EIA-481-C标准
 3. All dimensions in millimeters 所有尺寸均是毫米
 4. 10 sprocket hole pitch cumulative tolerance ± 0.2 mm



Part Number		Product Description	
USB3080		Micro USB Receptacle, TYPE B, SMT, R/A, Bottom Mount, Optional Peg, With Shell Stakes	
Drawing Date		04th April 2011	
By	CC	Tolerances (Except as Noted)	Units:
Detail	USB3080 E PCN	Length	Metric (mm)
Revision	E2	Angle	3rd Angle Projection
Date	15/02/17		



This drawing is confidential and copyright of Global Connector Technology, Ltd (GCT). This drawing must not be copied or disclosed without written consent. E & OE



Not to Scale	Drawn By SA	Sheet No. 2/2
--------------	-------------	---------------