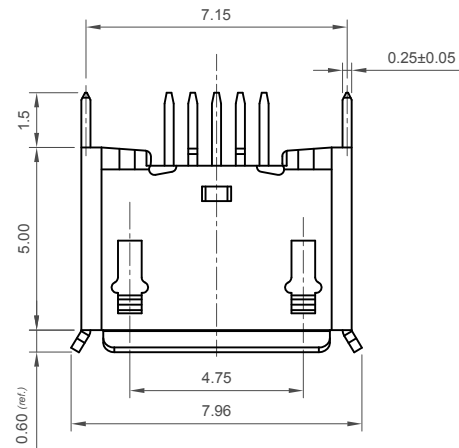
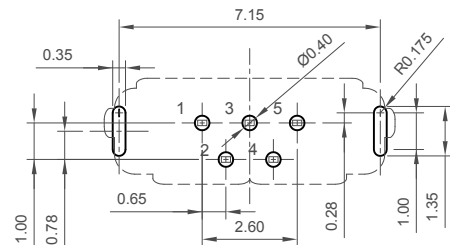
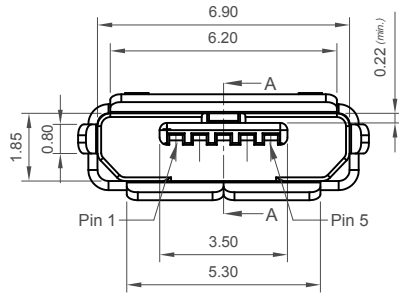


H
G
F
E
D
C
B
A

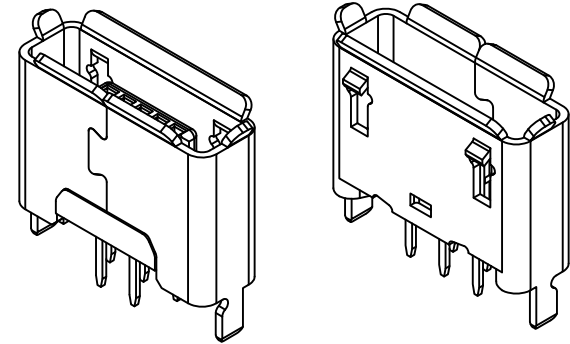


Designed to comply with physical, electrical and environmental requirements of Micro USB Standard (USB2.0), A/B types support USB On-The-Go (OTG) interface.

If you seek longer shell stakes for a thicker PCB (for example 1.60mm (.062")) please see USB3106.



Recommended PCB Layout
As viewed from component side General Tolerance: ±0.05
□ Component Outline



Specifications

Materials

Plastic Housing: LCP, UL 94V-0, Black,
Contact Terminal: Copper Alloy
Metallic Shell: Stainless Steel SUS304-1/2H T=0.25mm

Plating

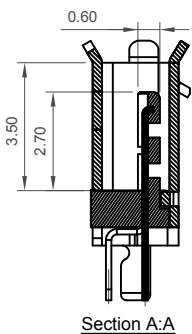
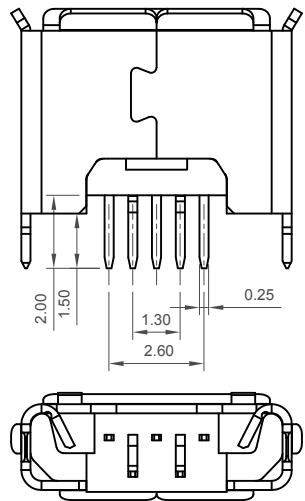
Underplating: Nickel 100µ" min.
Plating:
Contact Area: 30µ" Gold plating
Solder Tails: Gold Flash
Metallic Shell: Nickel

Electrical

Voltage Rating: 30V
Current Rating: Signal (Pins 2,3,4): 1.0 A.
Power (Pins 1,5): 1.8A.
Operating Temperature: -55°C to +85°C.
Contact Resistance: 30 mΩ max.
Insulating Resistance: 1000 MΩ min.
Dielectric Withstand Voltag: 100V AC for 1 minute

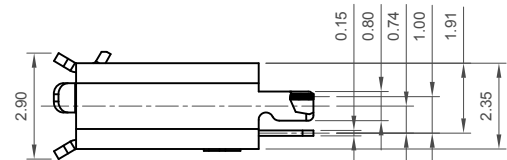
Mechanical & Environmental




Mating Force: 35N max.
Unmating Force: Initial 10N min.
Final 8N min after durability test.
Durability: 10,000 Cycles



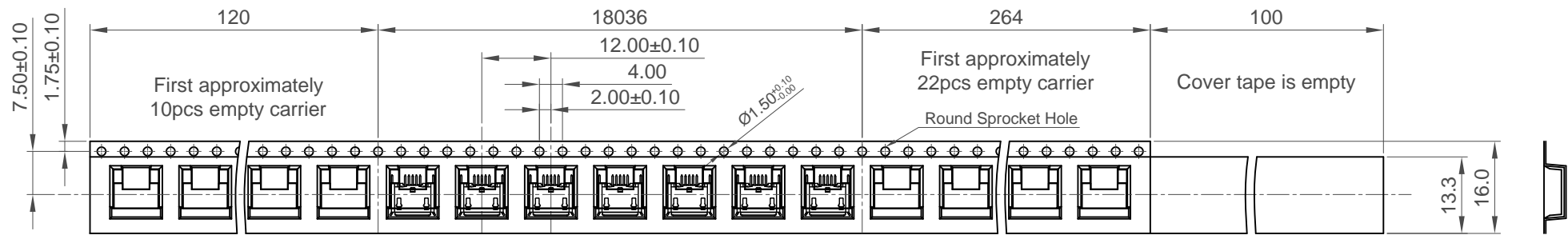
Ordering Grid

USB3105 - **30** - **A** [Request Samples and Quotation](#)
Contact Plating
30 = 30µ" Gold
Packing Options
A = Tape & Reel
(1.5K per Reel)

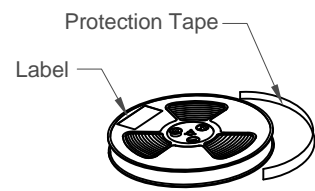
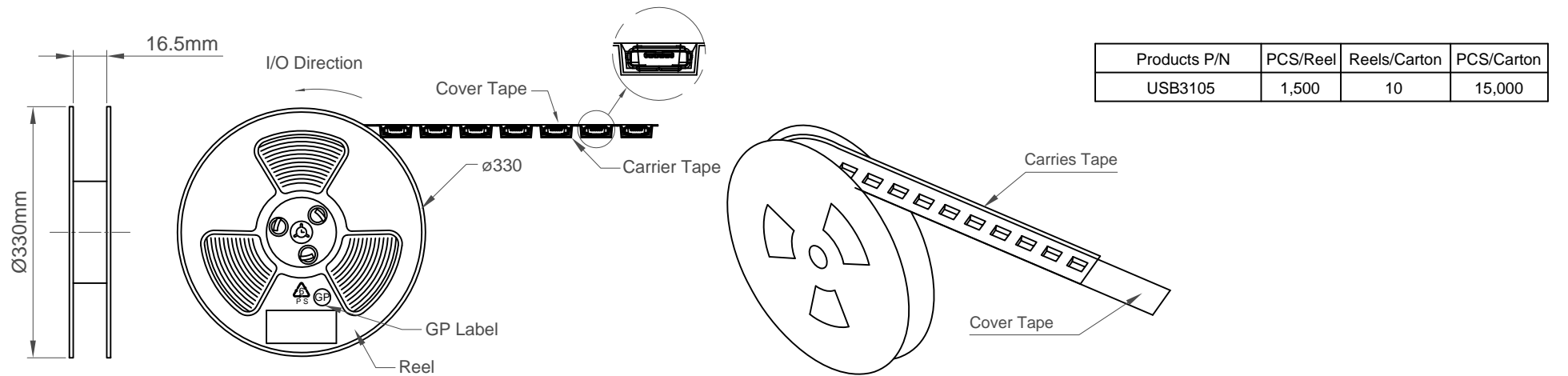


Part Number USB3105		Product Description Micro USB Receptacle, Type AB, Through-Hole, Vertical, with 1.5mm Through-Hole Shell Stakes		 www.gct.co
Drawing Date 4th April 2011				
By CC	Detail USB3105 F PCN	Tolerances (Except as Noted) Length Angle	Units: Metric (mm)	This drawing is confidential and copyright of Global Connector Technology, Ltd (GCT). This drawing must not be copied or disclosed without written consent. E & OE
Revision Date	F4 25/08/17	X.X ± 0.35 X.XX ± 0.25	 	
		Not to Scale Drawn By AJO Sheet No. 1/2		

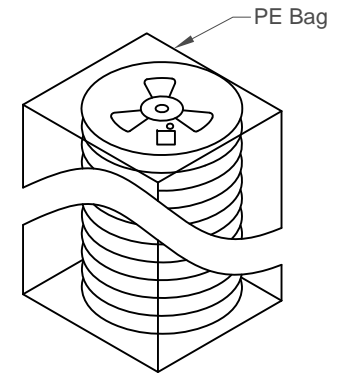
H
G
F
E
D
C
B
A



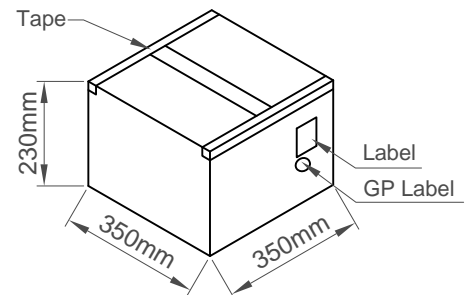
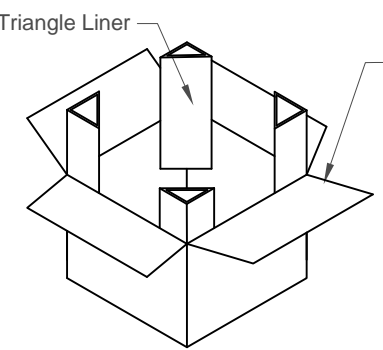
Products P/N	PCS/Reel	Reels/Carton	PCS/Carton
USB3105	1,500	10	15,000



1,500 Pieces/Reel



10 Reels



Part Number USB3105		Product Description Micro USB Receptacle, Type AB, Through-Hole, Vertical, with 1.5mm Through-Hole Shell Stakes	
Drawing Date 4th April 2011			
By CC	Tolerances (Except as Noted) Length Angle	Units: Metric (mm)	 <small>This drawing is confidential and copyright of Global Connector Technology, Ltd (GCT). This drawing must not be copied or disclosed without written consent. E & OE</small>
Detail USB3105 F PCN			
Revision F4			
Date 25/08/17			
		 <small>Not to Scale</small>	
		 www.gct.co	
		<small>Drawn By AJO</small>	
		<small>Sheet No. 2/2</small>	

1 2 3 4 5 6 7 8