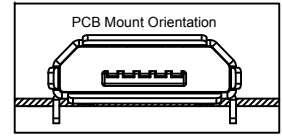
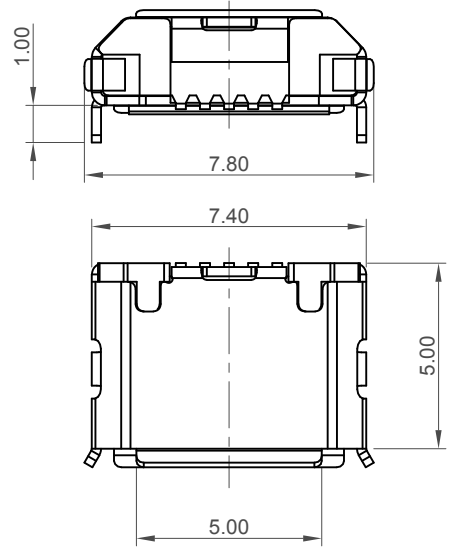
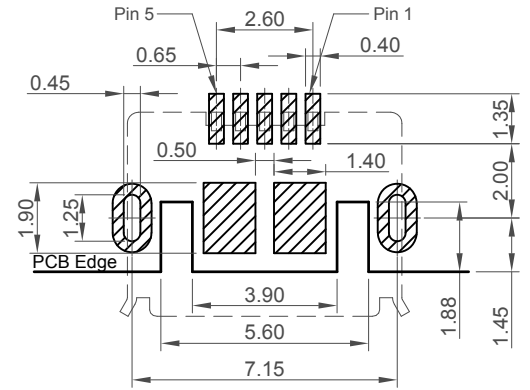
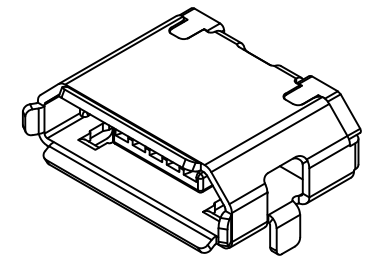


H  
G  
F  
E  
D  
C  
B  
A



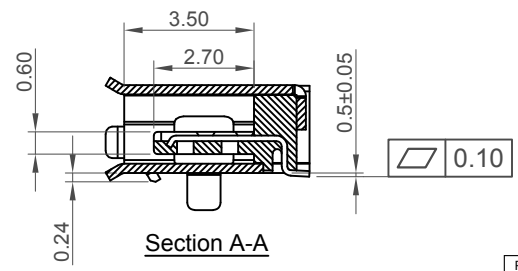
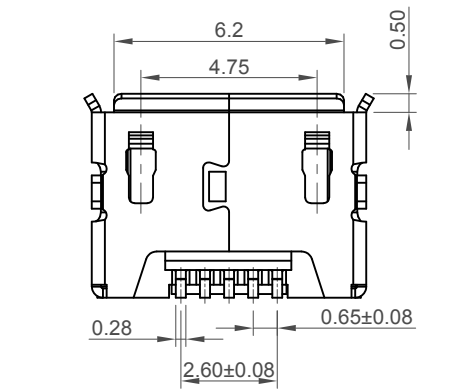
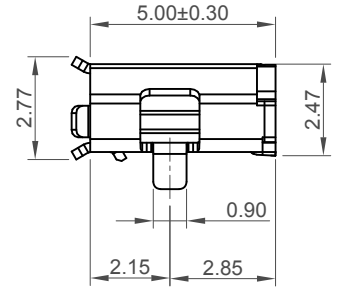
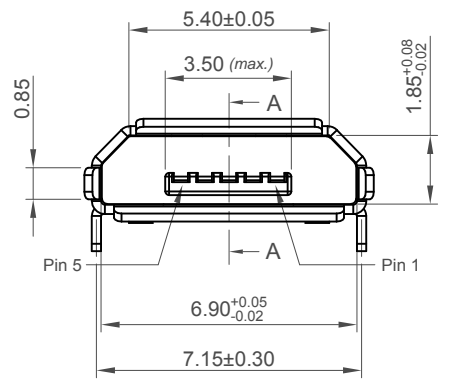
Designed to comply with physical, electrical and environmental requirements of Micro USB Standard (USB2.0).



**Recommended PCB Layout**

as viewed from component side

▨ Solder Area □ Component Outline



**Specifications:**

**Materials:**

- Plastic Housing: LCP, UL94V-0, Black
- Contact Terminal: Copper Alloy
- Metallic Shell : Stainless Steel SUS 304 T = 0.25mm

**Plating:**

- Underplating: 50µ" Nickel
- Finish: Contact Area: 30µ" Gold plating
- Solder Tails: Gold Flash
- Metallic Shell: Matte Tin

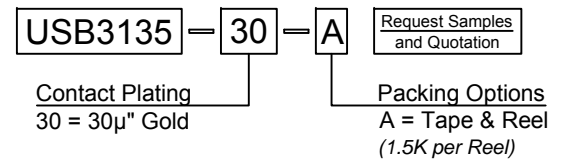
**Electrical:**

- Voltage Rating: 30 V AC
- Current Rating: Signal (Pins 2,3,4):1.0A.  
Power (Pins 1,5):1.8A.
- Operating Temperature: -30°C to +85°C
- Contact Resistance: 30mΩ Max.
- Insulating Resistance: 1000MΩ Min.
- Dielectric Withstand Voltage: 500V AC/Minute

**Mechanical:**

- Mating Force: 35N Max.
- Unmating Force: 10N Min.
- Durability: 10,000 Cycles

**Ordering Grid**



Part Number		Product Description	
USB3135		Micro USB Receptacle, Type B, SMT, Horizontal Top (Reverse) Mount, without Peg, with Outer Shell Stakes	
Drawing Date		1st June 2012	
By	CC	Tolerances (Except as Noted)	Units:
Detail	USB3135 B PCN	Length	Metric (mm)
Revision	B5	Angle	
Date	16/04/21	X.X ± 0.2	X.X° ± 2°
		X.XX ± 0.15	X.XX° ± 1°
		X.XXX ± 0.05	X.XXX° ± 0.5°

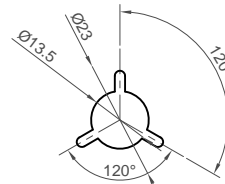
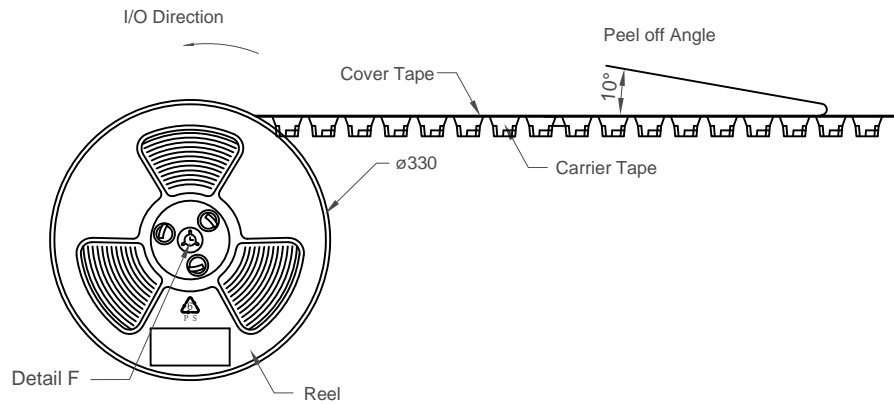
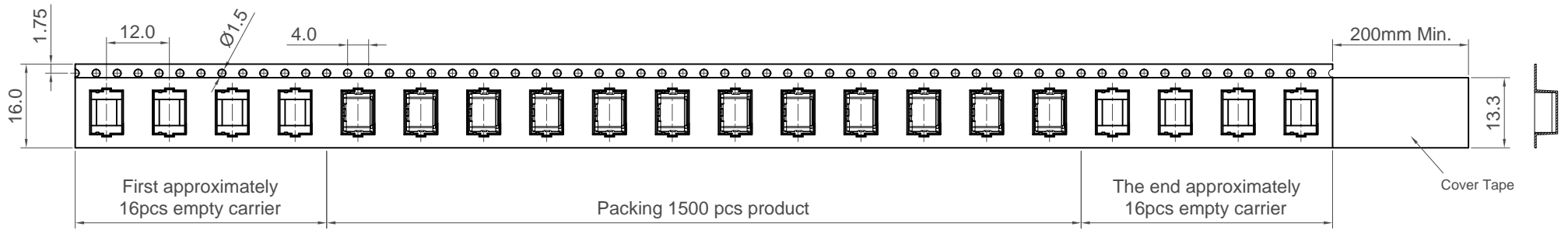


This drawing is confidential and copyright of Global Connector Technology Ltd (GCT). This drawing must not be copied or disclosed without written consent. E & OE



Not to Scale	Drawn By ASE	Sheet No. 1/2
--------------	--------------	---------------

1 2 3 4 5 6 7 8

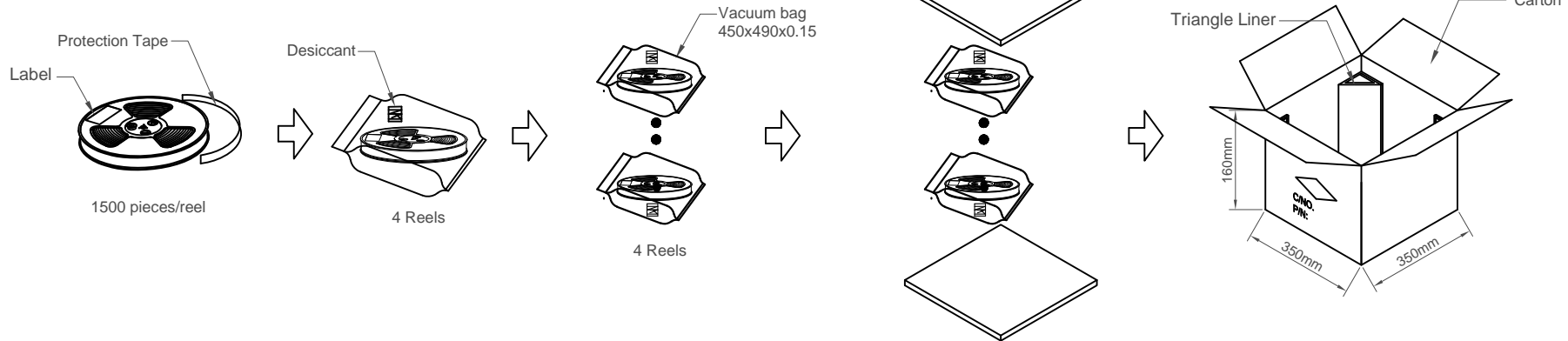


Detail F

Products P/N	PCS/Reel	Reels/Carton	PCS/Carton
USB3135	1500	4	6000

Notes:

1. Peeling off force of top tape: 0.1-1.3N
2. Part Conforms to EIA-481-C Standards
3. All dimensions in millimeters
4. 10 sprocket hole pitch cumulative tolerance±0.2mm



Part Number		Product Description	
USB3135		Micro USB Receptacle, Type B, SMT, Horizontal Top (Reverse) Mount, without Peg, with Outer Shell Stakes	
Drawing Date		1st June 2012	
By	CC	Tolerances (Except as Noted)	Units:
Detail	USB3135 B PCN	Length X.X ± 0.2 X.XX ± 0.15 X.XXX ± 0.05	Metric (mm)
Revision	B5	Angle X.X° ± 2° X.XX° ± 1° X.XXX° ± 0.5°	3rd Angle Projection
Date	16/04/21		



This drawing is confidential and copyright of Global Connector Technology, Ltd (GCT). This drawing must not be copied or disclosed without written consent. E & OE



Not to Scale	Drawn By ASE	Sheet No. 2/2
--------------	--------------	---------------