

Specifications

Material

Insulator: LCP, UL 94V-0, Black
 Contact: Copper Alloy (C1814), T=0.12mm
 Mid Plate: Stainless Steel (SUS301), T=0.15mm
 Shell: Stainless Steel (SUS304), T=0.30mm

Plating

Contact
 Contact Area: 3u" Au over 50µ" min. Nickel
 Solder Tails: Gold Flash over 50µ" min. Nickel
 Shell: 30µ" min. Nickel
 Mid Plate: Clear

Electrical

Current Rating: 5.00A collectively for Vbus pins
 6.25A collectively for GND pins
 1.25A for A5/B5 pin
 0.25A per pin for all other pins
 Voltage Rating: 48V DC
 Power Rating: 240W
 Contact Resistance: 40mΩ max initial.
 50mΩ max after test
 Dielectric Withstanding Voltage: 100V AC
 Insulation Resistance 100MΩ min

Mechanical & Environmental

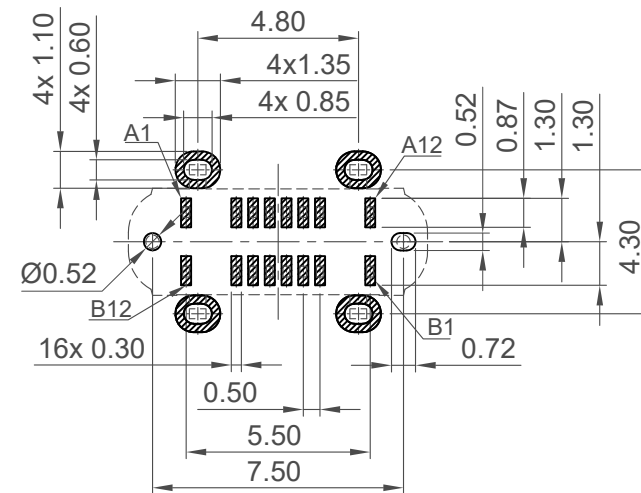
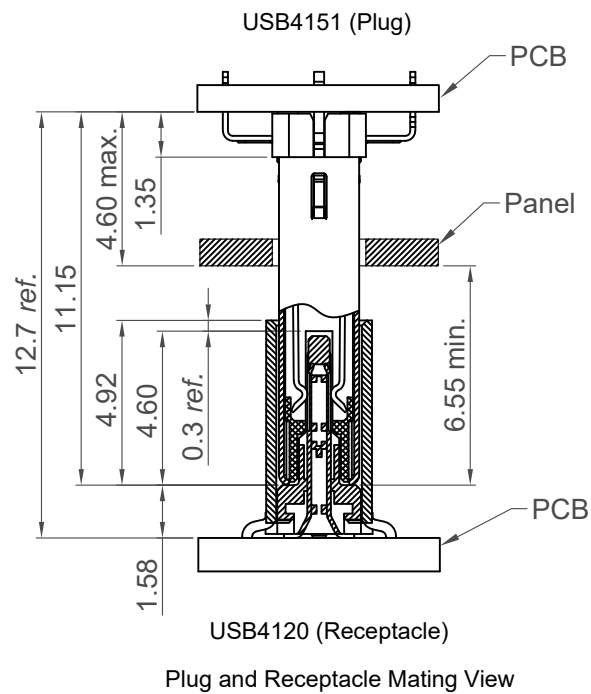
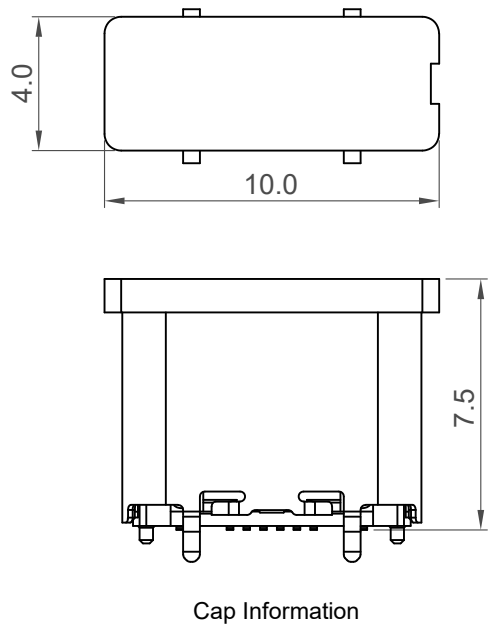
Operating Temperature: -25°C to +85°C
 Mating Force: 5 to 20 N.
 Unmated Force: 6 to 20 N after test
 Durability: 10,000 cycles

Ordering Grid

USB4120 - 03 - C Request Samples and Quotation

Contact Plating: 03 = 3u" Gold
 Packing Options: C = Tape & Reel with Cap (600 per reel)

Part Number		Product Description		
USB4120		USB 2.0 Type C Receptacle, 16contacts, Vertical, SMT, H=6.5mm		
Drawing Date		28th September 2020		
By	CC	Tolerances (Except as Noted)	Units:	
Detail	Drawing Release	Length	Metric (mm)	
Revision	A4	Angle		
Date	11/04/23	X.X ± 0.30		
		X.XX ± 0.25		
		X.XXX ± 0.10		
		This drawing is confidential and copyright of Global Connector Technology, Ltd (GCT). This drawing must not be copied or disclosed without written consent. E & OE		
		www.gct.co		
				Not to Scale
				Drawn By CC
				Sheet No. 1/3



Recommended PCB Layout

Thickness 1.00±0.10mm

Tolerance: ±0.05mm

▨ Solder Area □ Component Outline

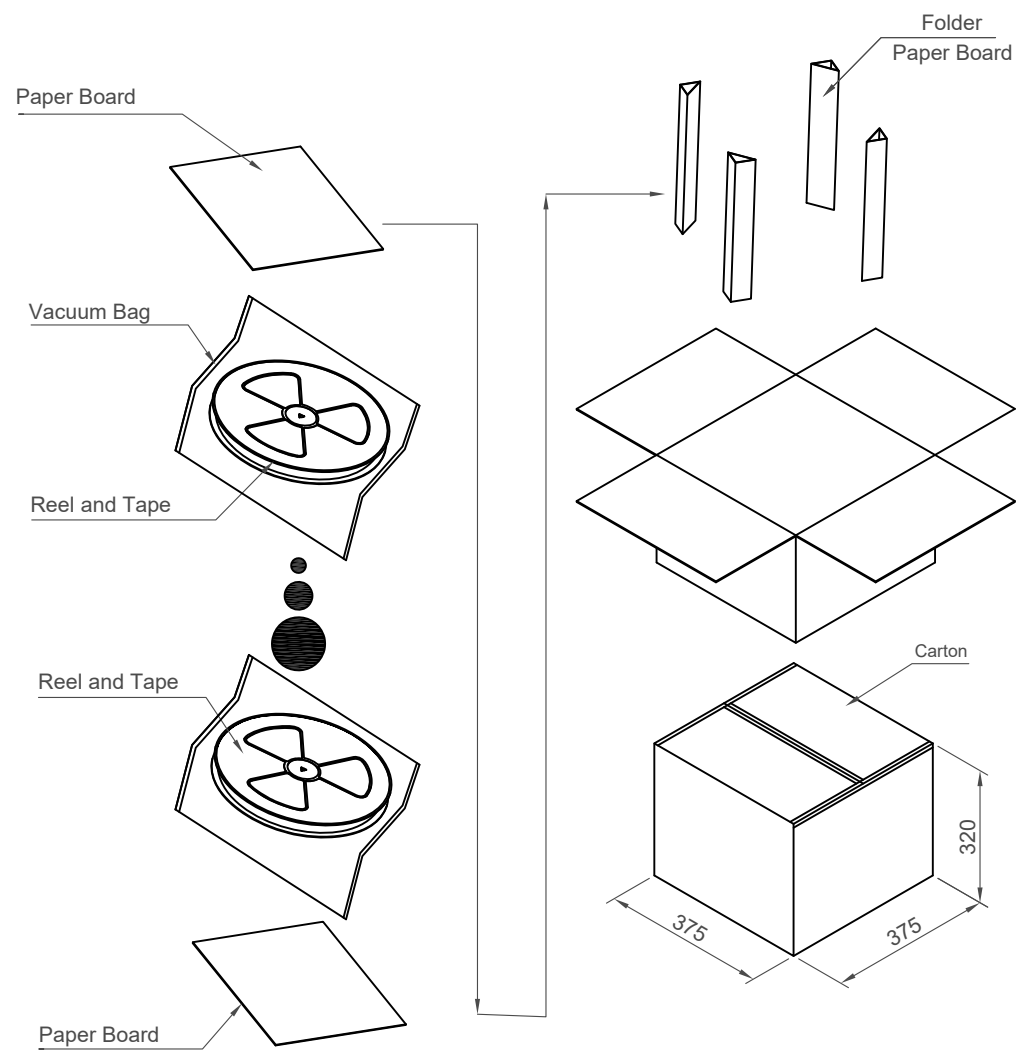
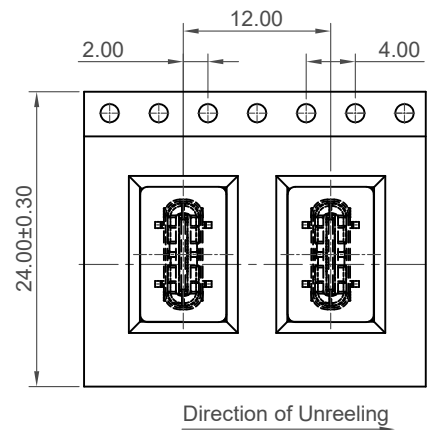
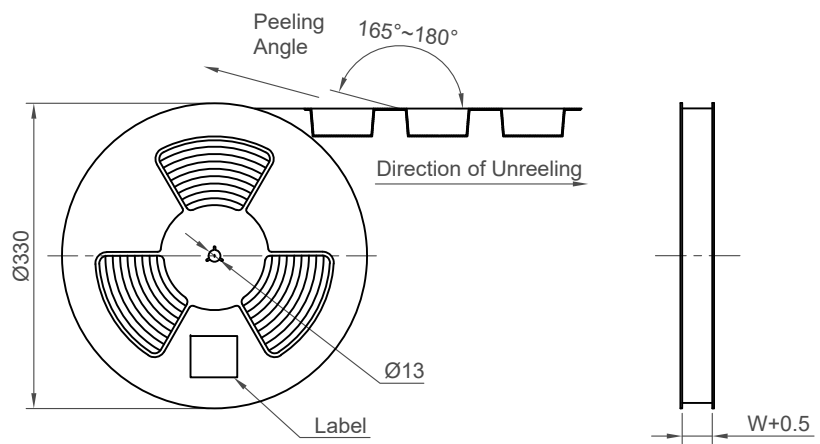
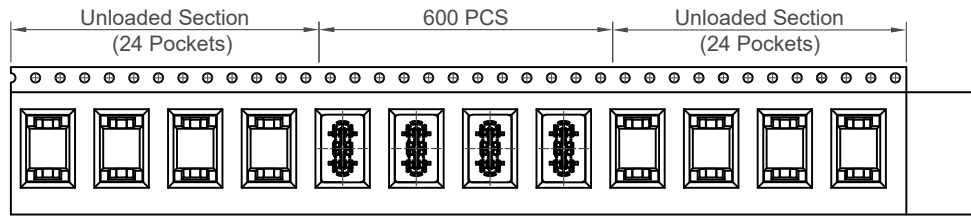
Pin	Signal	Mating Sequence	Pin	Signal	Mating Sequence
A1	GND	First	B12	GND	First
A4	V _{bus}	First	B9	V _{bus}	First
A5	CC1	Second	B8	SBU2	Second
A6	Dp1	Second	B7	Dn2	Second
A7	Dn1	Second	B6	Dp2	Second
A8	SBU1	Second	B5	CC2	Second
A9	V _{bus}	First	B4	V _{bus}	First
A12	GND	First	B1	GND	First
SHELL		GND	SHELL		GND

Part Number		Product Description			
USB4120		USB 2.0 Type C Receptacle, 16contacts, Vertical, SMT, H=6.5mm			
Drawing Date		28th September 2020			
By	CC	Tolerances (Except as Noted)	Units:		
Detail	Drawing Release	Length	Angle		
Revision	A4	X.X ± 0.30	-		
Date	11/04/23	X.XX ± 0.25	-		

This drawing is confidential and copyright of Global Connector Technology, Ltd (GCT). This drawing must not be copied or disclosed without written consent. E & OE

GCT
www.gct.co

Not to Scale	Drawn By CC	Sheet No. 2/3
--------------	----------------	------------------



Pcs / Reel	Reels / Carton	Total Quantity
600	10	6,000 pcs

Part Number		Product Description	
USB4120		USB 2.0 Type C Receptacle, 16contacts, Vertical, SMT, H=6.5mm	
Drawing Date		28th September 2020	
By	CC	Tolerances (Except as Noted)	Units:
Detail	Drawing Release	Length	Metric (mm)
Revision	A4	X.X ± 0.30	 3rd Angle Projection
Date	11/04/23	X.XX ± 0.25	
		X.XXX ± 0.10	



This drawing is confidential and copyright of Global Connector Technology, Ltd (GCT). This drawing must not be copied or disclosed without written consent. E & OE



Not to Scale	Drawn By CC	Sheet No. 3/3
--------------	-------------	---------------