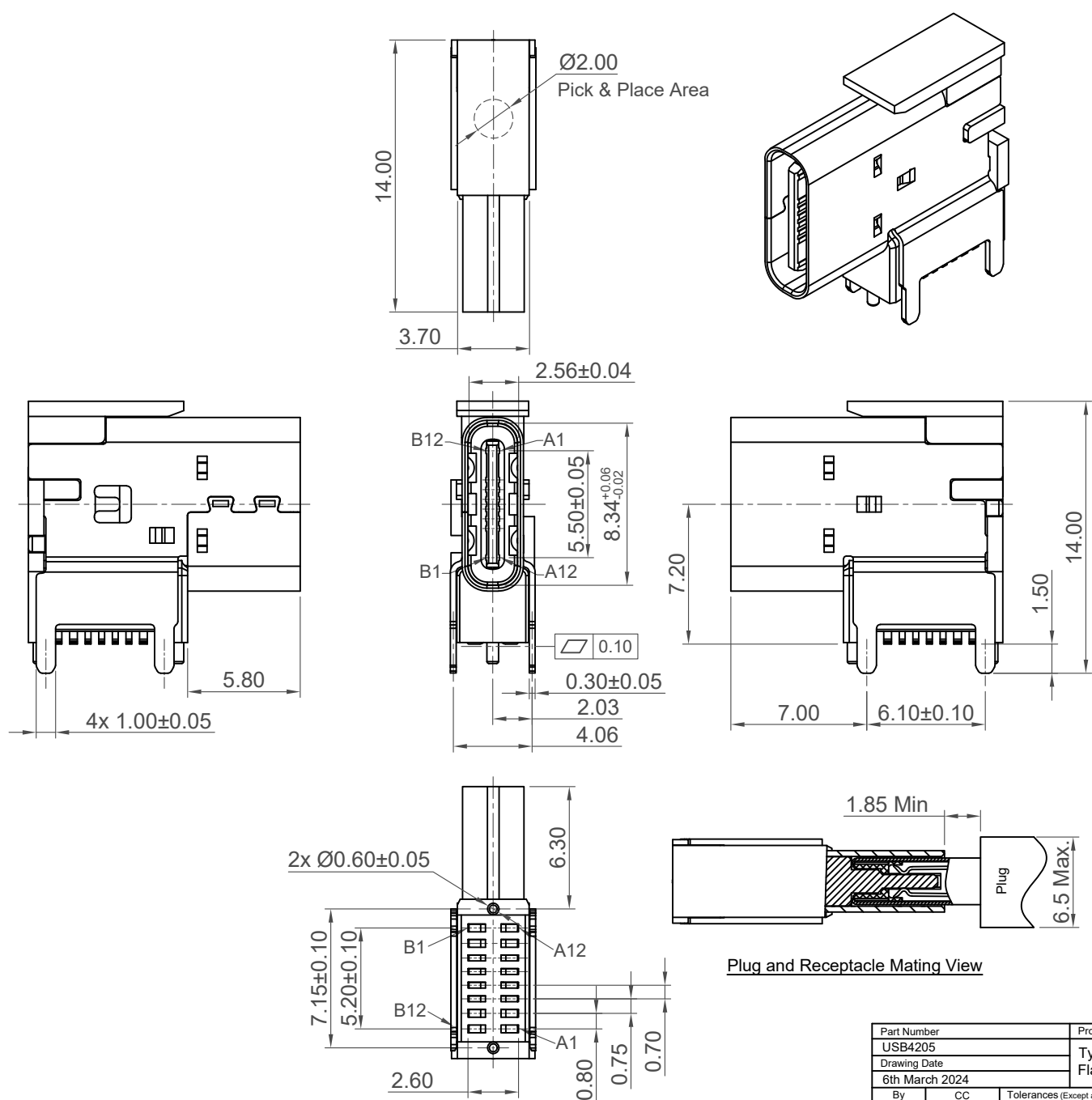


H  
G  
F  
E  
D  
C  
B  
A



**Specifications**

**Material**  
 Insulator: LCP, UL 94V-0, Black  
 Contact: Copper Alloy  
 Shell: Stainless Steel  
 Mid Plate: Stainless Steel

**Plating**  
 Contact  
 Contact Area: Gold Flash  
 Solder Tails: Gold Flash  
 Underplating: 50 $\mu$ " min. Nickel  
 Shell: 80 $\mu$ " min. Nickel  
 Mid Plate: Clear

**Electrical**  
 Current Rating: 5.00A collectively for Vbus pins  
 6.25A collectively for GND pins  
 1.25A for A5/B5 pin  
 0.25A per pin for all other pins  
 Voltage Rating: 48V DC  
 Power Rating: 240W  
 Contact Resistance: 40m $\Omega$  max initial.  
 50m $\Omega$  max after test  
 Dielectric Withstanding Voltage: 100V AC  
 Insulation Resistance 100M $\Omega$  min

**Mechanical & Environmental**  
 Operating Temperature: -55°C to +85°C  
 Mating Force: 5 to 20 N.  
 Unmated Force: 6 to 20 N after test  
 Durability: 20,000 cycles

Ordering Grid

**USB4205** - **GF** - **A** Request Samples and Quotation

Contact Plating: GF = Gold Flash  
 Packing Options: A = Tape & Reel (400pcs/Reel)

|              |                 |                                                                              |             |
|--------------|-----------------|------------------------------------------------------------------------------|-------------|
| Part Number  |                 | Product Description                                                          |             |
| USB4205      |                 | Type C Receptacle For USB2.0, Dual Row SMT, Flag Type, PCB Top Mount, 16 Pin |             |
| Drawing Date |                 | 6th March 2024                                                               |             |
| By           | CC              | Tolerances (Except as Noted)                                                 | Units:      |
| Detail       | Drawing Release | Length<br>X.X $\pm$ 0.30                                                     | Metric (mm) |
| Revision     | A               | Angle<br>X.XX $\pm$ 0.15                                                     |             |
| Date         | 06/03/24        | X.XXX $\pm$ 0.10                                                             |             |



This drawing is confidential and copyright of Global Connector Technology, Ltd (GCT). This drawing must not be copied or disclosed without written consent. E & OE



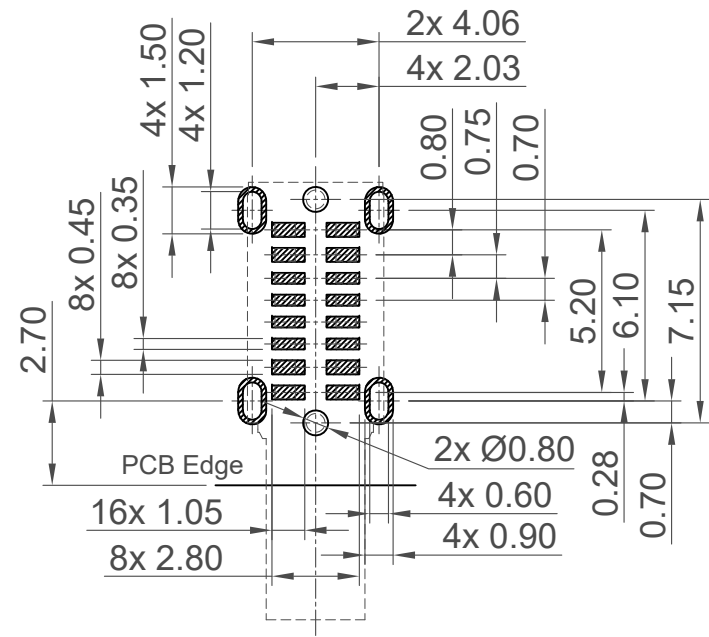
|              |                |                  |
|--------------|----------------|------------------|
| Not to Scale | Drawn By<br>CC | Sheet No.<br>1/3 |
|--------------|----------------|------------------|

1 2 3 4 5 6 7 8

H  
G  
F  
E  
D  
C  
B  
A

|     |     |
|-----|-----|
| B12 | A1  |
| B9  | A4  |
| B8  | A5  |
| B7  | A6  |
| B6  | A7  |
| B5  | A8  |
| B4  | A9  |
| B1  | A12 |

Pin Assignment



Recommended PCB Layout

Thickness: 1.60mm

Tolerance: ±0.05mm

▨ Solder Area □ Component Outline

| Pin   | Signal | Mating Sequence | Pin   | Signal | Mating Sequence |
|-------|--------|-----------------|-------|--------|-----------------|
| A1    | GND    | First           | B12   | GND    | First           |
| A4    | VBUS   | First           | B9    | VBUS   | First           |
| A5    | CC1    | Second          | B8    | SBU2   | Second          |
| A6    | Dp1    | Second          | B7    | Dn2    | Second          |
| A7    | Dn1    | Second          | B6    | Dp2    | Second          |
| A8    | SBU1   | Second          | B5    | CC2    | Second          |
| A9    | VBUS   | First           | B4    | VBUS   | First           |
| A12   | GND    | First           | B1    | GND    | First           |
| SHELL |        | GND             | SHELL |        | GND             |

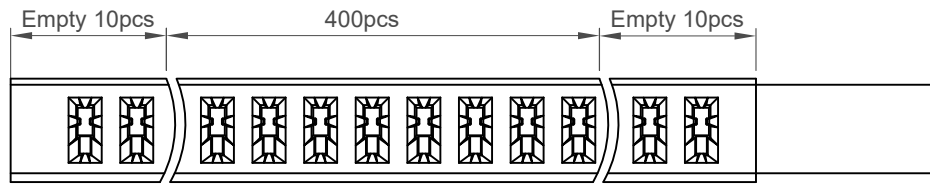
|              |                 |                                                                              |                          |
|--------------|-----------------|------------------------------------------------------------------------------|--------------------------|
| Part Number  |                 | Product Description                                                          |                          |
| USB4205      |                 | Type C Receptacle For USB2.0, Dual Row SMT, Flag Type, PCB Top Mount, 16 Pin |                          |
| Drawing Date |                 | 6th March 2024                                                               |                          |
| By           | CC              | Tolerances (Except as Noted)                                                 | Units:                   |
| Detail       | Drawing Release | Length                                                                       | Metric (mm)              |
| Revision     | A               | X.X ± 0.30                                                                   | <br>3rd Angle Projection |
| Date         | 06/03/24        | X.XX ± 0.15                                                                  |                          |
|              |                 | X.XXX ± 0.10                                                                 |                          |



This drawing is confidential and copyright of Global Connector Technology, Ltd (GCT). This drawing must not be copied or disclosed without written consent. E & OE

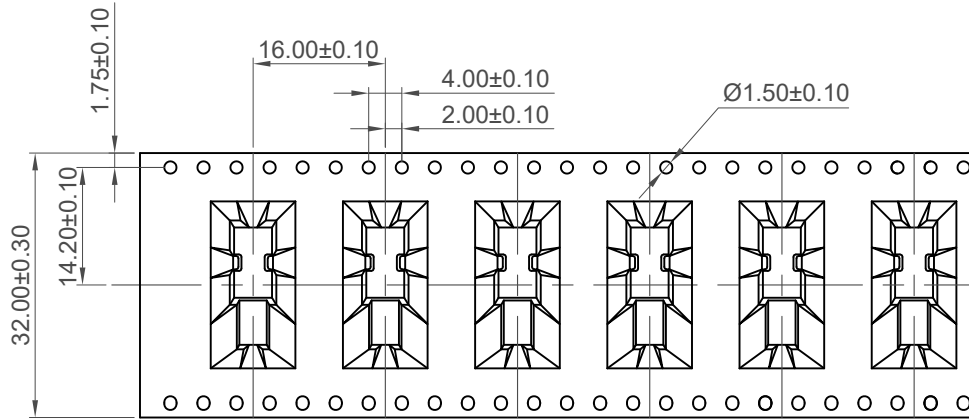
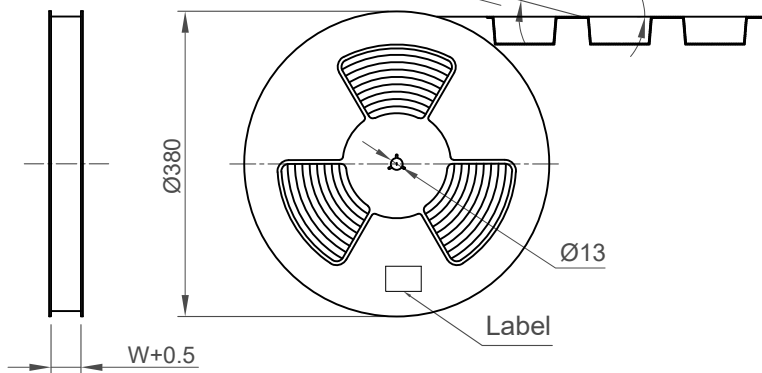


|              |             |               |
|--------------|-------------|---------------|
| Not to Scale | Drawn By CC | Sheet No. 2/3 |
|--------------|-------------|---------------|



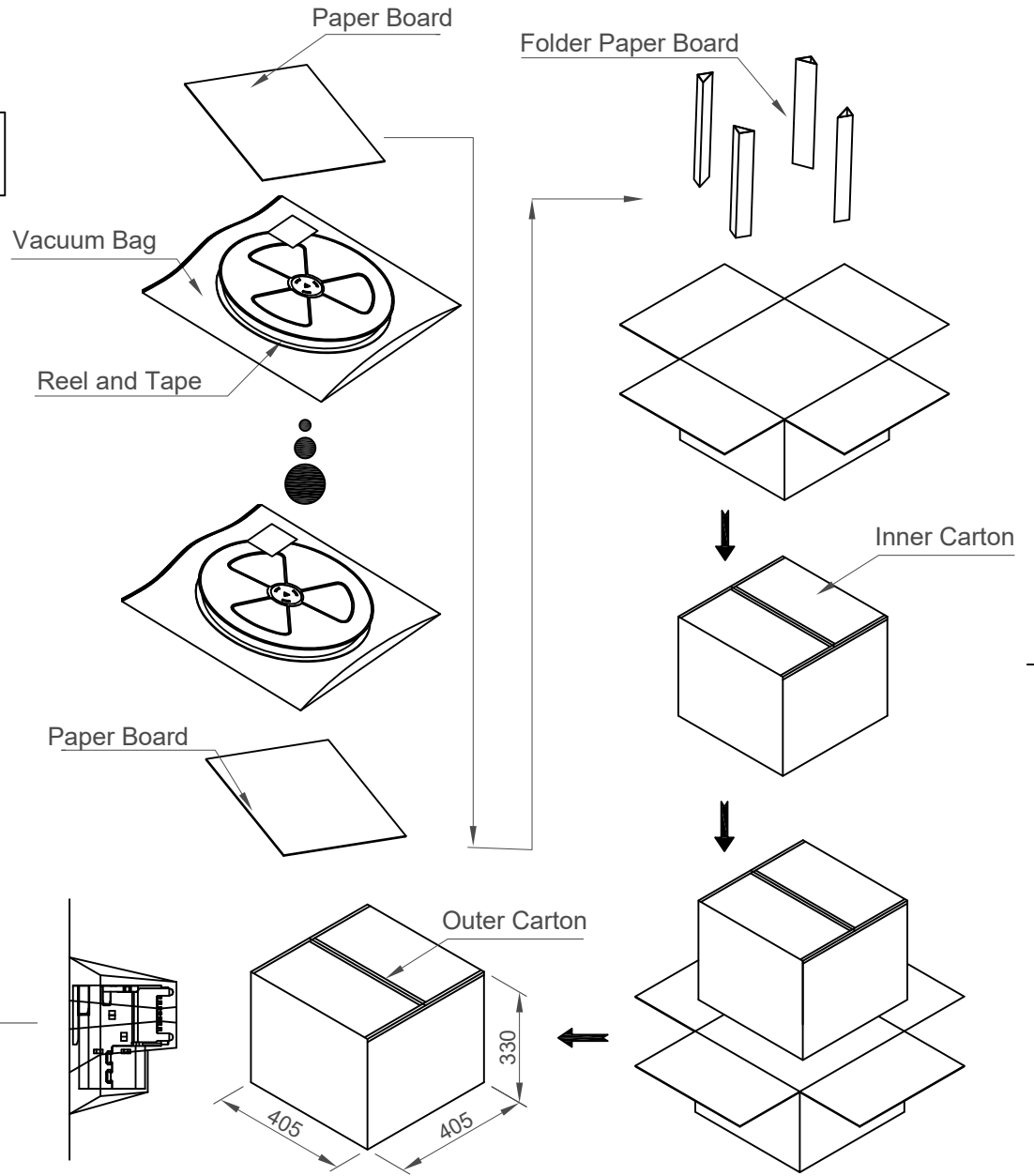
Direction of Unreeling

Peeling Angle 165°~180°



Direction of Unreeling

| Pcs / Reel | Reels / Carton | Total Quantity |
|------------|----------------|----------------|
| 400        | 8              | 3200 pcs       |



|              |                 |                                                                              |             |
|--------------|-----------------|------------------------------------------------------------------------------|-------------|
| Part Number  |                 | Product Description                                                          |             |
| USB4205      |                 | Type C Receptacle For USB2.0, Dual Row SMT, Flag Type, PCB Top Mount, 16 Pin |             |
| Drawing Date |                 | 6th March 2024                                                               |             |
| By           | CC              | Tolerances (Except as Noted)                                                 | Units:      |
| Detail       | Drawing Release | Length X.X ± 0.30                                                            | Metric (mm) |
| Revision     | A               | Angle X.XX ± 0.15                                                            |             |
| Date         | 06/03/24        | X.XXX ± 0.10                                                                 |             |



This drawing is confidential and copyright of Global Connector Technology, Ltd (GCT). This drawing must not be copied or disclosed without written consent. E & OE



|              |             |               |
|--------------|-------------|---------------|
| Not to Scale | Drawn By CC | Sheet No. 3/3 |
|--------------|-------------|---------------|