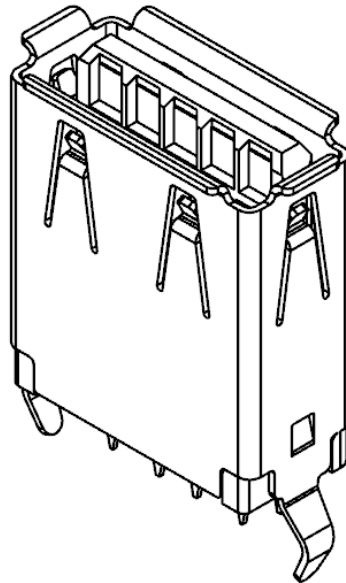


PRODUCT SPECIFICATION

Part Number	USB1086	Rev	A	Date	08/12/20		
Product Description	USB 3.0 Receptacle, Type A, Through Hole, Vertical Top Mount				Page	1	
Doc Number	USB1086	Prepared	CC	Checked	VJ	Approved	PH



PRODUCT SPECIFICATION

Part Number	USB1086	Rev	A	Date	08/12/20		
Product Description	USB 3.0 Receptacle, Type A, Through Hole, Vertical Top Mount			Page	3		
Doc Number	USB1086	Prepared	CC	Checked	VJ	Approved	PH

6.1 Electrical Performance.

Item	Test Condition	Requirement
Low-signal Level Contact Resistance	Mate connectors, measure by dry circuit, 20mV Max., 100mA Max. In accordance with EIA-364-23.	Power Pins: 30mΩ Max. Signal Pins: 50mΩ Max.
Insulation Resistance	Unmated connectors, apply 100 V DC between adjacent terminals. In accordance with EIA-364-21.	100 M Ω Min.
Dielectric Withstanding Voltage	Test between adjacent contacts of unmated connectors. In accordance with EIA-364-20.	100 V AC Min. at sea level for 1 minute. No discharge, flashover or breakdown.
Temperature Rise	Mate connector: measure the temperature rise when the maximum AC rated current is passed. In accordance with EIA-364-70.	30°C max.

6.2 Mechanical Performance.

Item	Test Condition	Requirement
Mating / Unmating Force	Mated and unmated at rate of 12.5mm cycles per minute. In accordance with EIA-364-13.	Mating force: 35N Max. Un-mating force: 10N Min.
Durability	Insertion and withdrawal are repeated with Plug for 20,000 cycles at the frequency of 500 Cycles (automatically) & 200 Cycles (manually) / hour max. Mating force of 35N Max.& Unmating force 8N Min. In accordance with EIA-364-09.	Appearance: No breakdown Mating force: 35N max. Un-mating force: 8N min. after test. 10 mΩ max. change allowed.
Vibration	No discontinuities of 1μS or longer duration when mated USB connectors are subjected to 3.10 GRMS. 15 minutes in each of three mutually perpendicular planes. In accordance with EIA-364-28 Test Condition VII, Test Letter D.	No Damage Discontinuity: 1 μsecond Max.

PRODUCT SPECIFICATION

Part Number	USB1086	Rev	A	Date	08/12/20		
Product Description	USB 3.0 Receptacle, Type A, Through Hole, Vertical Top Mount				Page	4	
Doc Number	USB1086	Prepared	CC	Checked	VJ	Approved	PH

6.3 Environmental Performance and Others.

Item	Test Condition	Requirement
Thermal Shock	Mate module and subject to follow condition for 10 cycles. At -55°C to +85°C. In accordance with EIA-364-32, test condition I.	No Damage 10 mΩ max. change allowed.
Mechanical Shock	Mated USB connectors are subjected to 11ms duration 30Gs half-sine shock pulses. Three shocks in each direction applied along three mutually perpendicular planes for 18 shocks. In accordance with EIA-364-27, test condition H.	No Damage Discontinuity: 1.0 μsecond max.
Humidity & Temperature Cycling Test	Mate Connector and expose to temperature of 25~65°C±3, 50~80%RH±3, Ramp times should be 0.5 hour & dwell should be 1 hour, 1 cycle 24H. Dwell times start when the temperature is stabilized within the specified levels. In accordance with EIA-364-31, Test condition A.	No Damage 10 mΩ max. change allowed.
Temperature Life	Subject mated connectors to temperature life at 105°C for 120 hours. Measure Signal. In accordance with EIA-364-17, Test condition A.	No Damage 10 mΩ max. change allowed.
Solderability	Dip solder-tails in flux then immerse in solder bath at 255±5 °C up to 0.5mm from the bottom of the housing for 5 seconds. In accordance with EIA-364-52, Category 2.	95% of immersed area must show no voids, pin holes.
Salt Spray	Subject mated/unmated connectors to 5% salt-solution concentration, 35°C for 24 hours. In accordance with EIA-364-26, Test Condition B.	No visible rust on contact area 10 mΩ max. change allowed.

PRODUCT SPECIFICATION

Part Number	USB1086	Rev	A	Date	08/12/20		
Product Description	USB 3.0 Receptacle, Type A, Through Hole, Vertical Top Mount				Page	5	
Doc Number	USB1086	Prepared	CC	Checked	VJ	Approved	PH

Item	Test Condition	Requirement
Resistance to Solder Heat (Wave Soldering)	Heat: 260±5°C, 10+2/-0 sec. In accordance with EIA-364-56	Sample mounted on PCB and subject to wave soldering. Without deformation of case or excessive looseness of the terminals/pin (DIP only).
Resistance to Solder Heat (Hand Soldering)	Solder iron method solder temperature: 350±10°C Immersion time: 3±1 seconds, however excessive pressure shall not be applied to the terminal	Without deformation of case or excessive looseness of the terminals/pin.

PRODUCT SPECIFICATION

Part Number	USB1086	Rev	A	Date	08/12/20		
Product Description	USB 3.0 Receptacle, Type A, Through Hole, Vertical Top Mount				Page	6	
Doc Number	USB1086	Prepared	CC	Checked	VJ	Approved	PH

7.0 PRODUCT QUALIFICATION AND TEST SEQUENCE

Test Item	Test Group							
	1	2	3	4	5	6	7	8
Examination of Product	1, 3	1,8	1,5	1, 9	1,3	1, 3	1, 3	1,3
Low-signal Contact Resistance			2,4	3, 7				
Insulation Resistance		2,6						
Dielectric Withstanding Voltage		3,7						
Temperature Rise	2							
Mating / Unmating Force				2,8				
Durability				4				
Vibration				6				
Thermal Shock		4						
Mechanical Shock				5				
Humidity & Temperature Cycling		5						
Temperature Life			3					
Salt Spray					2			
Solderability						2		
Resistance to Wave Soldering Heat							2	
Resistance to Hand Soldering Heat								2
Sample Size	5	5	5	5		5	5	5

PRODUCT SPECIFICATION

Part Number	USB1086	Rev	A	Date	08/12/20		
Product Description	USB 3.0 Receptacle, Type A, Through Hole, Vertical Top Mount			Page	7		
Doc Number	USB1086	Prepared	CC	Checked	VJ	Approved	PH

Revision details

Revision	Information	Page	Release Date
A	Specification Released	-	18/02/2020