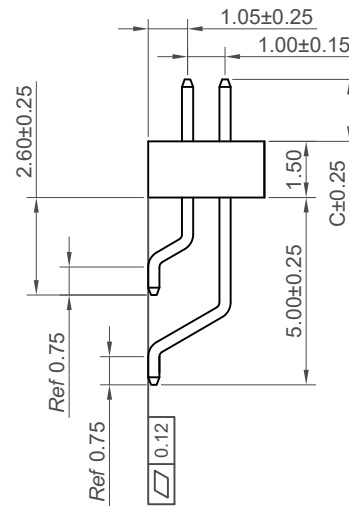
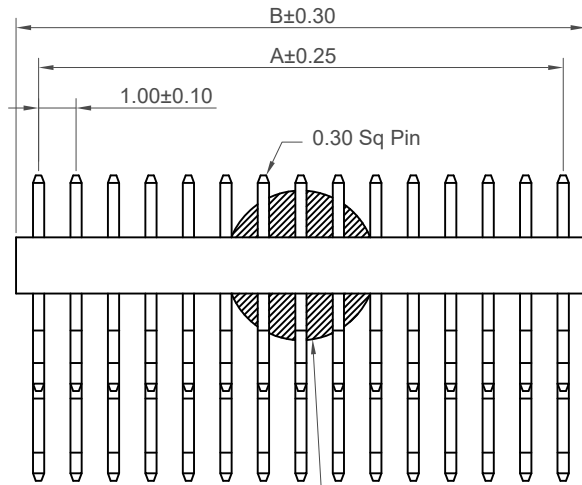


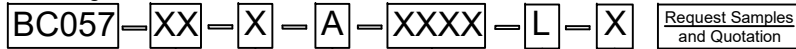
Recommended PCB Layout  
(Tolerance:  $\pm 0.05$ )

Solder Area



Film  $\varnothing = 3.00\text{mm}$  (04-06 Contacts)  
 $\varnothing = 4.00\text{mm}$  (08-30 Contacts)  
Thickness = 0.15mm (All)

Ordering Grid



No. of Contacts  
04 to 30

Contact Plating

**A = Gold Flash All Over (Standard)**  
C = Tin All Over

Insulator Width  
A = 1.50mm

Packing Options

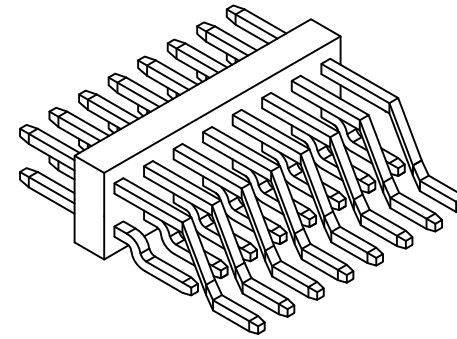
C = Tape & Reel with Film (04-30 contacts)

Insulator Material

**L = LCP (Standard)**

Dimension C (1/100mm) (Post Height)

0150 = 1.50mm (Standard)  
or specify Dimension C  
eg 0250 = 2.50mm  
(Maximum 0600=6.00mm)  
(Minimum 0100=1.00mm)



Specifications

Material

Insulator: Polymer LCP, UL94V-0  
Contact: Copper Alloy

Plating

See Ordering Grid

Electrical

Current Rating: 1 Amp per pin  
Contact Resistance: 20 m $\Omega$  max.  
Insulating Resistance: 1000 M $\Omega$  min.  
Dielectric Withstand Voltage: 300V AC

Mechanical & Environmental

Operating Temperature: -40°C to +105°C

Soldering Process:

IR Reflow: 260°C for 10 sec.  
Wave: 250°C for 5-10 sec  
Manual Solder: 350°C for 3-5 sec

Mates with (Subject to pin length)

BC084 BC085

Contacts	Dimensions	
	A	B
4	1.00	2.20
6	2.00	3.20
8	3.00	4.20
10	4.00	5.20
12	5.00	6.20
14	6.00	7.20
16	7.00	8.20
18	8.00	9.20
20	9.00	10.20
22	10.00	11.20
24	11.00	12.20
26	12.00	13.20
28	13.00	14.20
30	14.00	15.20

Part Number		Product Description	
BC057		1.0mm Pitch Pin Header, Dual Row, Surface Mount, Horizontal	
Drawing Date		9th September 2009	
By	CC	Tolerances (Except as Noted)	Units:
Detail	BC057 I PCN	Length X. $\pm 0.30$ Angle X.X $\pm 0.25$ Revision X.XX $\pm 0.15$ Date X.XXX $\pm 0.10$	Metric (mm)
Revision	I2	Angle X.X' $\pm 3^\circ$ X.XX' $\pm 2^\circ$ X.XXX' $\pm 1^\circ$	
RoHS COMPLIANT 2011/65/EU	This drawing is confidential and copyright of Global Connector Technology, Ltd (GCT). This drawing must not be copied or disclosed without written consent. E & OE		



Not to Scale	Drawn By ASE	Sheet No. 1/1
--------------	--------------	---------------