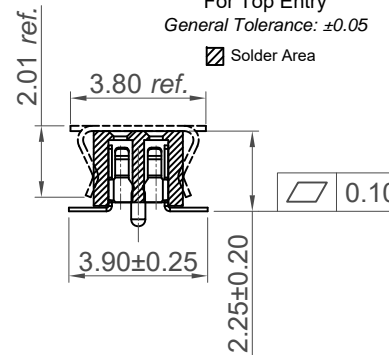
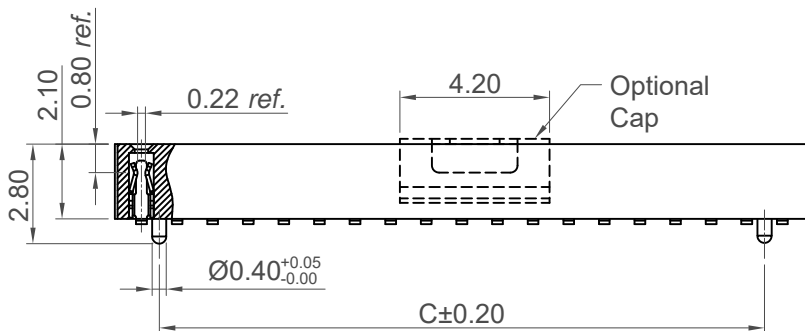


Recommended PCB Layout
For Top Entry
General Tolerance: ± 0.05

Recommended PCB Layout
For Bottom Entry
General Tolerance: ± 0.05

☒ Solder Area

☒ Solder Area



Specifications

Material

Insulator: Polymer, LCP, UL94V-0, Black
Contact: Phosphor Bronze

Plating

See ordering grid

Electrical

Current Rating: 1A per pin
Contact Resistance: 20 mΩ max.
Insulating Resistance: 500 MΩ min.
Dielectric Withstand Voltage: 200V AC

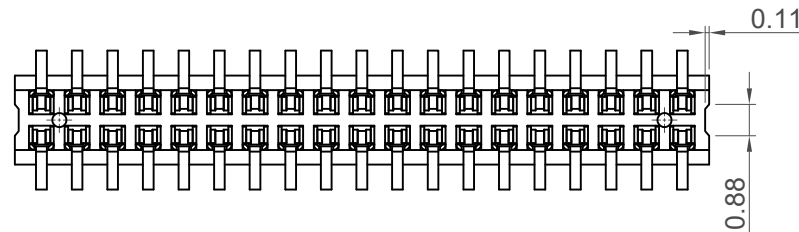
Mechanical & Environmental

Operating Temperature: -40°C to +105°C
Soldering Process:
IR Reflow: 260°C for 10 sec.
Wave: 250°C for 5-10 sec
Manual Solder: 350°C for 3-5 sec

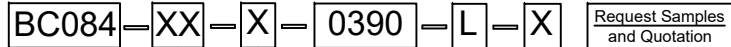
Mates with (subject to pin length):

BC035 BC036 BC040 BC045
BC050 BC055 BC057

No. of Contacts	Dimensions		
	A	B	C
6	2.00	3.50	1.00
8	3.00	4.50	2.00
10	4.00	5.50	3.00
12	5.00	6.50	4.00
14	6.00	7.50	5.00
16	7.00	8.50	6.00
18	8.00	9.50	7.00
20	9.00	10.50	8.00
22	10.00	11.50	9.00
24	11.00	12.50	10.00
26	12.00	13.50	11.00
28	13.00	14.50	12.00
30	14.00	15.50	13.00
32	15.00	16.50	14.00
34	16.00	17.50	15.00
36	17.00	18.50	16.00
38	18.00	19.50	17.00
40	19.00	20.50	18.00
42	20.00	21.50	19.00
44	21.00	22.50	20.00
46	22.00	23.50	21.00
48	23.00	24.50	22.00
50	24.00	25.50	23.00
52	25.00	26.50	24.00
54	26.00	27.50	25.00
56	27.00	28.50	26.00
58	28.00	29.50	27.00
60	29.00	30.50	28.00
62	30.00	31.50	29.00
64	31.00	32.50	30.00
66	32.00	33.50	31.00
68	33.00	34.50	32.00
70	34.00	35.50	33.00
72	35.00	36.50	34.00
74	36.00	37.50	35.00
76	37.00	38.50	36.00
78	38.00	39.50	37.00
80	39.00	40.50	38.00



Ordering Grid



No. of Contacts
06 to 80

Contact Plating
A = Gold Flash All Over (Standard)
C = Tin All Over

Footprint Width (1/100mm)
0390 = 3.90mm

Packing Options
C = Tape and Reel with Film (Standard)
B = Tape and Reel with Cap
D = Tube
E = Tube with Cap (Unavailable for 6 contacts)
F = Tube with Film

Insulator Material
L = LCP (Standard)

Part Number		Product Description	
BC084		1.00mm Pitch Socket, Dual Entry, Dual Row, Surface Mount, Vertical	
Drawing Date		20th May 2008	
By	CC	Tolerances (Except as Noted)	Units:
Detail	BC084 B PCN	Length X. ± 0.30 X.X ± 0.25 X.XX ± 0.15 X.XXX ± 0.10	Metric (mm)
Revision	B3	Angle X.X° ± 5° X.XX° ± 3° X.XXX° ± 2° X.XXX° ± 1°	3rd Angle Projection
Date	20/11/23		



This drawing is confidential and copyright of Global Connector Technology, Ltd (GCT). This drawing must not be copied or disclosed without written consent. E & OE



Not to Scale	Drawn By SA	Sheet No. 1/1
--------------	-------------	---------------