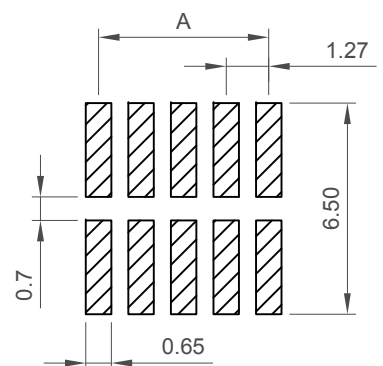
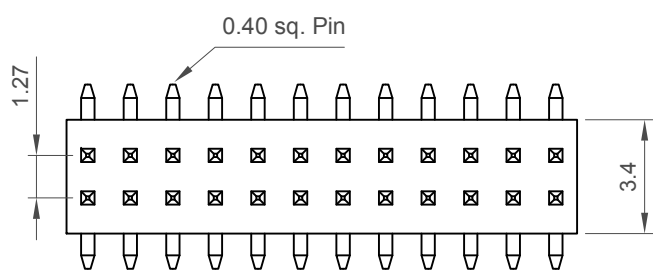
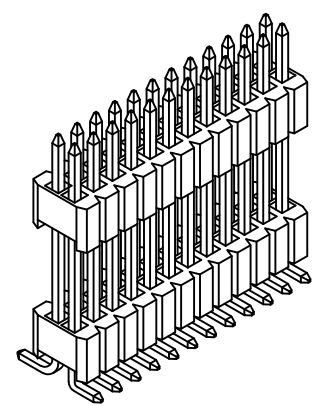
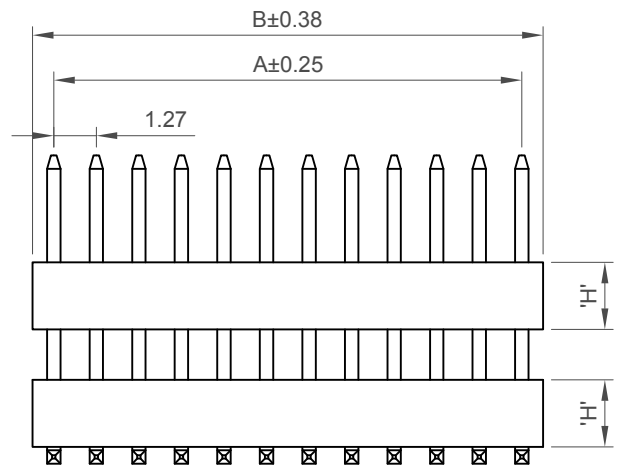
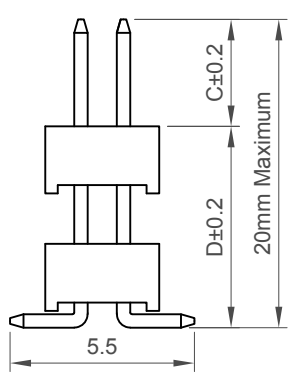


H  
G  
F  
E  
D  
C  
B  
A



**Recommended PCB Layout**  
 Solder Area



**Specifications**

**Material**

**Insulator Material:**  
 Option: Polymer, LCP, UL 94V-0  
 (where Insulator Height H = A, B, L)  
 Option: Polyamide, Nylon 6T, UL 94V-0  
 (where Insulator Height H = K)  
**Contact Terminal: Copper Alloy**

**Plating**

See Ordering Grid

**Electrical**

Current Rating: 1A per pin  
 Contact Resistance: 20 mΩ max.  
 Insulating Resistance: 1000 MΩ min.  
 Dielectric Withstand Voltage: 300V AC

**Mechanical & Environmenta**

Operating Temperatur: -40°C to +105°C

**Soldering Process**

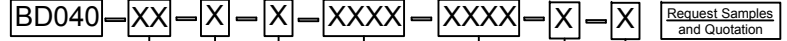
**LCP (Option)**  
 IR Reflow: 260°C for 10 sec.  
 Wave: 250°C for 5-10 sec.  
 Manual Solder: 350°C for 3-5sec  
**Nylon 6T (Option)**  
 IR Reflow: 260°C for 10 sec.  
 Wave: 230°C for 5-10 sec  
 Manual Solder : 350°C for 3-5 sec

**Mates with (Subject to pin length)**

- BD050 BD055 BD060 BD064
- BD065 BD091 BD092

Number of Contacts	Dimension	
	A	B
4	1.27	2.54
6	2.54	3.81
8	3.81	5.08
10	5.08	6.35
12	6.35	7.62
14	7.62	8.89
16	8.89	10.16
18	10.16	11.43
20	11.43	12.70
22	12.70	13.97
24	13.97	15.24
26	15.24	16.51
28	16.51	17.78
30	17.78	19.05
32	19.05	20.32
34	20.32	21.59
36	21.59	22.86
38	22.86	24.13
40	24.13	25.40
42	25.40	26.67
44	26.67	27.94
46	27.94	29.21
48	29.21	30.48
50	30.48	31.75
52	31.75	33.02
54	33.02	34.29
56	34.29	35.56
58	35.56	36.83
60	36.83	38.10
62	38.10	39.37
64	39.37	40.64
66	40.64	41.91

**Ordering Grid**



**No. of Contacts**  
04 to 66

**Packing Options**  
 B = Tape and Reel with Cap (Standard)  
 D = Tube  
 E = Tube with Cap

**Insulator Material**  
 L = LCP (where Insulator Height H = A, B, L)  
 N = Nylon 6T (where Insulator Height H = K)

**Dimension C (1/100mm) (Post Height)**

**0200 = 2.00mm (Standard)**  
 or specify Custom Post Height  
 eg. 0250 = 2.50mm  
 (Maximum 1000 = 10.00mm)  
 (Minimum 0100 = 1.00mm)

**Dimension D (1/100mm) (Stack Height)**

Minimum = (2 x 'H') + 0.5mm  
 Maximum 1500 = 15.00mm  
 or specify Custom Stack Height  
 eg. 0250 = 2.50mm

**Contact Plating**

**A = Gold Flash All Over (Standard)**  
 B = Selective Gold Flash Contact Area/ Tin On Tail  
 C = Tin All Over  
 G = 10µ" Gold Contact Area/Tin On Tail  
 I = 30µ" Gold Contact Area/Tin On Tail

**Dimension H (Insulator Height)**  
**L = 2.50mm (Standard)**  
 K = 1.00mm  
 A = 1.50mm  
 B = 2.00mm

Part Number		Product Description	
BD040		1.27mm Pitch Elevated Pin Header	
Drawing Date		Dual Row, Surface Mount, Vertical	
21st December 2007			
By	CC	Tolerances (Except as Noted)	Units:
Detail	BD040 G PCN	Length X ± 0.30 X.X ± 0.20 X.XX ± 0.15 X.XXX ± 0.10	Metric (mm)
Revision	G7	Angle X° ± 5° X.X° ± 2° X.XX° ± 1° X.XXX° ± 0.5°	
Date	11/09/20		



This drawing is confidential and copyright of Global Connector Technology, Ltd (GCT). This drawing must not be copied or disclosed without written consent. E & OE



Not to Scale	Drawn By AJO	Sheet No. 1/1
--------------	--------------	---------------