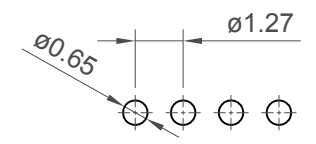
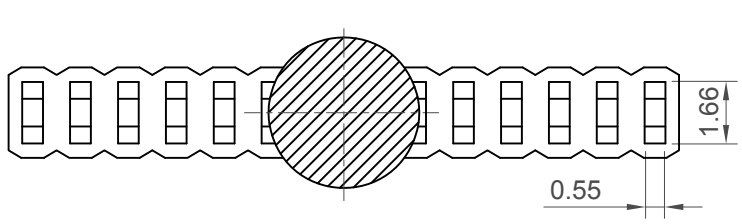
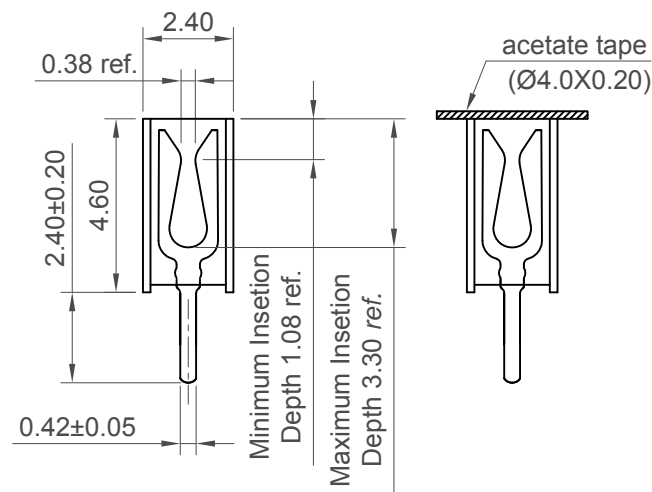
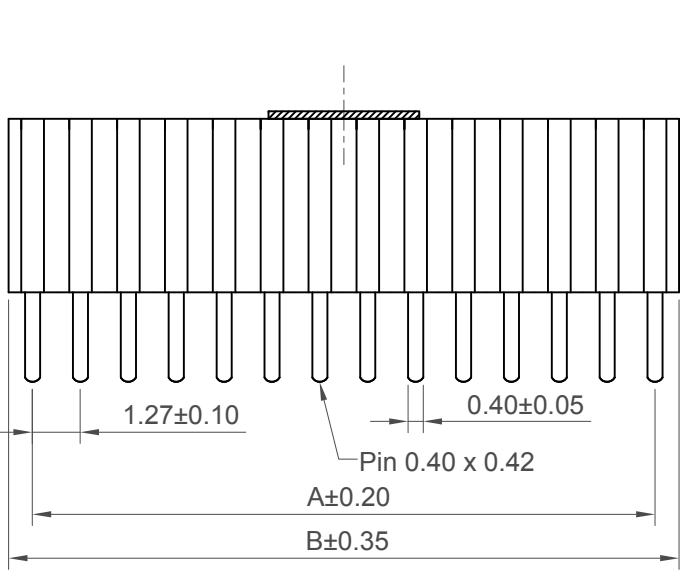
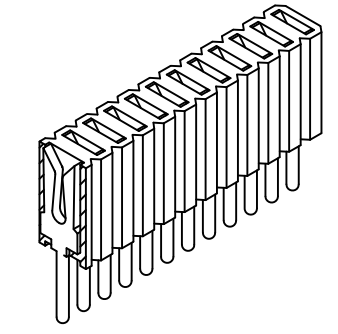


H
G
F
E
D
C
B
A



Recommended PCB Layout
(Tolerance: ±0.05mm)



Specifications

Material
Insulator:
Standard: Polymer, LCP, UL 94V-0
Option: Polyamide, Nylon 6T, UL 94V-0
Contact: Copper Alloy

Plating
See Ordering Grid

Electrical
Current Rating: 1.0 Amp Per Pin
Contact Resistance: 20 mΩ max.
Insulation Resistance: 1000 MΩ min.
Dielectric Withstand Voltage: 300 V AC

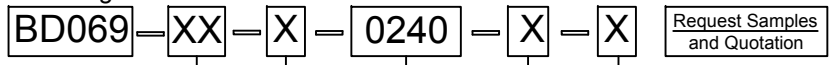
Mechanical & Environmental
Operating Temperature: -40°C to +105°C
Soldering Process

LCP (Standard) -
IR Reflow: 260°C for 10 sec.
Wave Reflow: 250°C for 5~10 sec.
Manual Solder: 350°C for 3-5 sec
Nylon 6T (Option) -
IR Reflow: 260°C for 10 sec.
Wave: 230°C for 5-10 sec.
Manual Solder: 350°C for 3-5sec

Mates with (Subject to Pin Length)
BD020 (recommended mating post height 3.00mm)

Number of Contacts	Dimensions	
	A	B
4	3.81	5.08
5	5.08	6.35
6	6.35	7.62
7	7.62	8.89
8	8.89	10.16
9	10.16	11.43
10	11.43	12.70
11	12.70	13.97
12	13.97	15.24
13	15.24	16.51
14	16.51	17.78
15	17.78	19.05
16	19.05	20.32
17	20.32	21.59
18	21.59	22.86
19	22.86	24.13
20	24.13	25.40
21	25.40	26.67
22	26.67	27.94
23	27.94	29.21
24	29.21	30.48
25	30.48	31.75
26	31.75	33.02
27	33.02	34.29
28	34.29	35.56
29	35.56	36.83
30	36.83	38.10
31	38.10	39.37
32	39.37	40.64
33	40.64	41.91
34	41.91	43.18
35	43.18	44.45
36	44.45	45.72
37	45.72	46.99
38	46.99	48.26
39	48.26	49.53
40	49.53	50.80
41	50.80	52.07
42	52.07	53.34
43	53.34	54.61
44	54.61	55.88
45	55.88	57.15
46	57.15	58.42
47	58.42	59.69
48	59.69	60.96
49	60.96	62.23
50	62.23	63.50

Ordering Grid



No. of Contacts
04 to 50

Contact Plating
A = Gold Flash All Over (Standard)
B = Selective Gold Flash Contact Area/
Tin On Tail
C = Tin All Over
G = 10µ" Gold Contact Area/Tin On Tail
I = 30µ" Gold Contact Area/Tin On Tail

Packing Options
D = Tube (Standard)
E = Tube with Cap
F = Tube with Film
G = Plastic Box

Insulator Material
L = LCP (04-25 contacts only)
N = Nylon 6T (26-50 contacts only)

Tail Length (1/100mm)
0240 = 2.40mm

Part Number		Product Description	
BD069		1.27mm Pitch Socket, Single Row, Through Hole, Vertical	
Drawing Date		21st April 2008	
By	CC	Tolerances (Except as Noted)	Units:
Detail	BD069 H PCN	Length: X. ± 0.30 X.X ± 0.25 X.XX ± 0.15 X.XXX ± 0.10	Metric (mm)
Revision	H1	Angle: X.° ± 5° X.X° ± 3° X.XX° ± 2° X.XXX° ± 1°	3rd Angle Projection
Date	06/11/17		



This drawing is confidential and copyright of Global Connector Technology, Ltd (GCT). This drawing must not be copied or disclosed without written consent. E & OE



Not to Scale	Drawn By ASE	Sheet No. 1/1
--------------	--------------	---------------