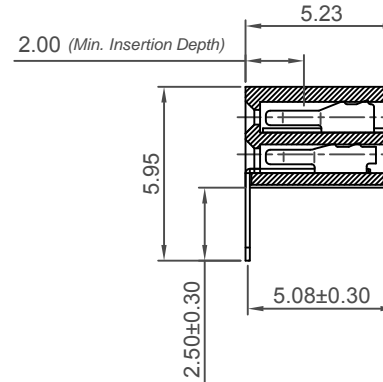
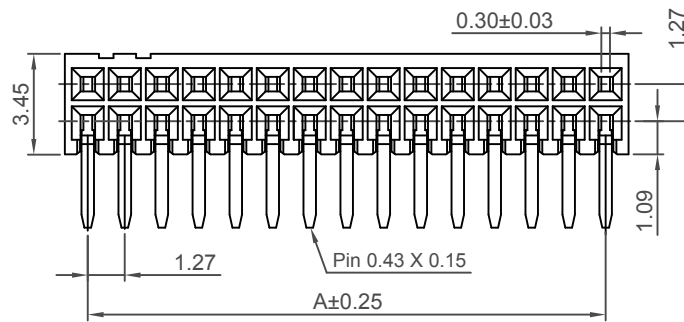


Recommended PCB Layout



CONTACTS	DIMENSIONS	
	A	B
4	1.27	2.84
6	2.54	4.11
8	3.81	5.38
10	5.08	6.65
12	6.35	7.92
14	7.62	9.19
16	8.89	10.46
18	10.16	11.73
20	11.43	13.00
22	12.70	14.27
24	13.97	15.54
26	15.24	16.81
28	16.51	18.08
30	17.78	19.35
32	19.05	20.62
34	20.32	21.89
36	21.59	23.16
38	22.86	24.43
40	24.13	25.70
42	25.40	27.97
44	26.67	28.24
46	27.94	29.51
48	29.21	30.78
50	30.48	32.05
52	31.75	33.32
54	33.02	34.59
56	34.29	35.86
58	35.56	37.13
60	36.83	38.40
62	38.10	39.67
64	39.37	40.94
66	40.64	42.21
68	41.91	43.48
70	43.18	44.75
72	44.45	46.02
74	45.72	47.29
76	46.99	48.56
78	48.26	49.83
80	49.53	51.10

Specifications 规格

Material 物料

Insulator Material 绝缘体物料: Polyester LCP, UL94V-0

Contact Terminal 端子物料: Copper Alloy

Plating 电镀

See Ordering Grid

Electrical 电气

Current Rating 电流额定值: 1 Amp

Contact Resistance 接触电阻值: 20 mΩ max.

Insulation Resistance 绝缘电阻值: 1000 MΩ min.

Dielectric Withstand Voltage 寒耐电压: 300 V AC

Mechanical & Environmental 机械 & 环境

Operating Temperature 工作温度: -40°C to +105°C

Soldering Process 可焊性:

IR Reflow 回流焊: 260°C for 10 sec.

Wave 波峰焊: 250°C for 5-10 sec

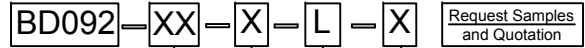
Manual Solder 人工焊接: 350°C for 3-5 sec

Mates with 配套之母座

(Subject to pin length 在端子长度适合的条件下):

BD030 BD035 BD038 BD040 BD095

Ordering Grid



No. of Contacts
04 to 80

Packing Options
D = Tube (Standard)
G = Plastic Box

Contact Plating
A = Gold Flash All Over (Standard)
B = Selective Gold Flash Contact Area/
Tin On Tail

C = Tin All Over
G = 10µ" Gold Contact Area/Tin On Tail
I = 30µ" Gold Contact Area/Tin On Tail

Part Number		Product Description	
BD092		1.27mm Pitch Socket, Dual Row, Through Hole, Horizontal	
Drawing Date		23rd April 2008	
By	AJO	Tolerances (Except as Noted)	
Detail	B2B PCN 002	Length X. ± 0.30 X.X ± 0.25 X.XX ± 0.15 X.XXX ± 0.10	Angle X.° ± 5° X.X° ± 3° X.XX° ± 2° X.XXX° ± 1°
Revision	E1	Units: Metric (mm)	
Date	30/01/15		



This drawing is confidential and copyright of Global Connector Technology, Ltd (GCT). This drawing must not be copied or disclosed without written consent. E & OE

GCT
Global Connector Technology
www.gct.co

Not to Scale	Drawn By AJO	Sheet No. 1/1
--------------	-----------------	------------------