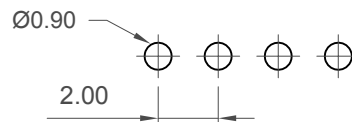
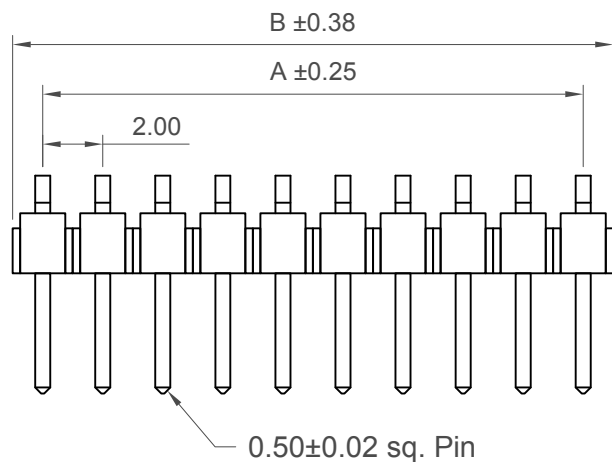
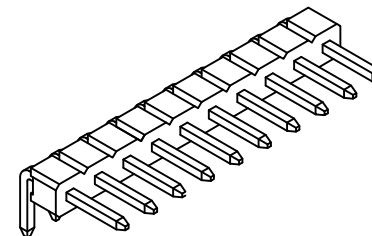


H
G
F
E
D
C
B
A



Recommended PCB Layout



No. of Contacts	Dimensions	
	A	B
2	2.0	4.0
3	4.0	6.0
4	6.0	8.0
5	8.0	10.0
6	10.0	12.0
7	12.0	14.0
8	14.0	16.0
9	16.0	18.0
10	18.0	20.0
11	20.0	22.0
12	22.0	24.0
13	24.0	26.0
14	26.0	28.0
15	28.0	30.0
16	30.0	32.0
17	32.0	34.0
18	34.0	36.0
19	36.0	38.0
20	38.0	40.0
21	40.0	42.0
22	42.0	44.0
23	44.0	46.0
24	46.0	48.0
25	48.0	50.0
26	50.0	52.0
27	52.0	54.0
28	54.0	56.0
29	56.0	58.0
30	58.0	60.0
31	60.0	62.0
32	62.0	64.0
33	64.0	66.0
34	66.0	68.0
35	68.0	70.0
36	70.0	72.0
37	72.0	74.0
38	74.0	76.0
39	76.0	78.0
40	78.0	80.0

Specifications

Material
 Insulator material:
 Standard
 Polyamide, Nylon 6T, UL 94V-0
 Options: Polymer, LCP, UL 94V-0
 Polyester, PBT, UL 94V-0
 Contact Terminal : Copper Alloy

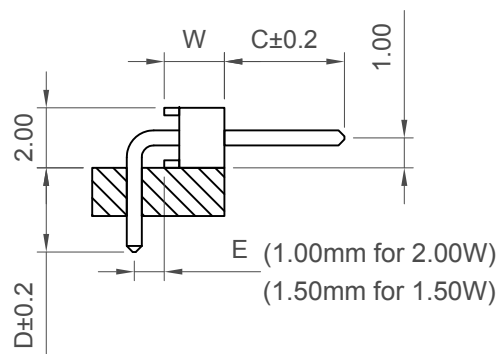
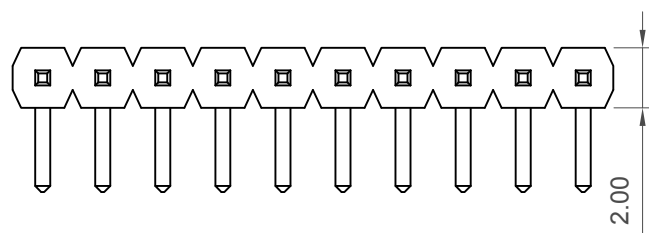
Plating
 See Ordering Grid

Electrical
 Current Rating: 2 Amp per pin
 Contact Resistance: 20 mΩ max.
 Insulation Resistance: 1000 MΩ min.
 Dielectric Withstand Voltage: 500 V AC

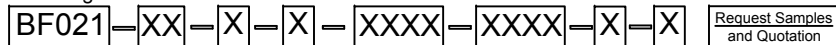
Mechanical & Environmental
 Operating Temperature: -40°C to +105°C

Soldering process:
 Nylon 6T (Standard) -
 IR Reflow: 260°C for 10 sec.
 Wave: 230°C for 5-10 sec.
 Manual solder: 350°C for 3-5 sec
 LCP (Option) -
 IR Reflow: 260°C for 10 sec.
 Wave: 250°C for 5-10 sec.
 Manual solder: 350°C for 3-5 sec
 PBT (Option) -
 Manual Solder: 330°C for 3-5 sec
 (Not Suitable for High Temperature Process)

Mates with (subject to pin length):
 BF070 BF085 BF086 BF090
Perfect Planar Mating with (subject to pin length):
 BF087 BF088



Ordering Grid



Contact Plating
A = Gold Flash All Over (Standard)
 B = Selective Gold Flash Contact Area/
 Tin On Tail
 C = Tin All Over
 G = 10µ" Gold Contact Area/Tin On Tail
 I = 30µ" Gold Contact Area/Tin On Tail

Insulator Width 'W'
B = 2.00mm (Standard)
 A = 1.50mm

Packing Options
G = Plastic Box (Standard)
 D = Tube
 E = Tube with Cap
Insulator Material
N = Nylon 6T (Standard)
 P = PBT
 L = LCP

Dimension D (1/100mm) (Insulator to Pin End)
0280 = 2.80mm (Standard)
 Or specify custom Insulator to Pin End length
 eg 0250 = 2.50mm
 (Maximum 0600 = 6.00mm)
 (Minimum 0100 = 1.00mm)

Dimension C (1/100mm) (Post Length)
0400 = 4.00mm (Standard)
 Or specify custom post length
 eg 0250 = 2.50mm
 (Maximum 1000 = 10.00mm)
 (Minimum 0100 = 1.00mm)

Part Number		Product Description	
BF021		2.00mm Pitch Pin Header	
Drawing Date		Single Row, Through Hole, Horizontal	
25th October 2007			
By	CC	Tolerances (Except as Noted)	Units:
Detail	BF021 C PCN	Length: X. ± 0.30 X.X ± 0.20 X.XX ± 0.15 X.XXX ± 0.10	Metric (mm)
Revision	C2	Angle: X° ± 5° X.X° ± 2° X.XX° ± 1° X.XXX° ± 0.5°	RoHS COMPLIANT 2011/65/UEU Deca-SIDE
Date	28/09/17	3rd Angle Projection	This drawing is confidential and copyright of Global Connector Technology, Ltd (GCT). This drawing must not be copied or disclosed without written consent. E & OE



www.gct.co

Not to Scale	Drawn By LYH	Sheet No. 1/1
--------------	--------------	---------------