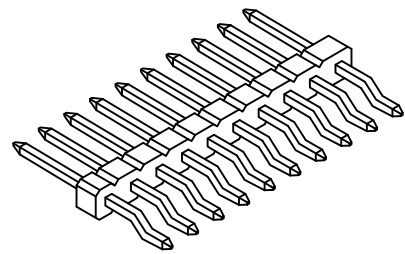
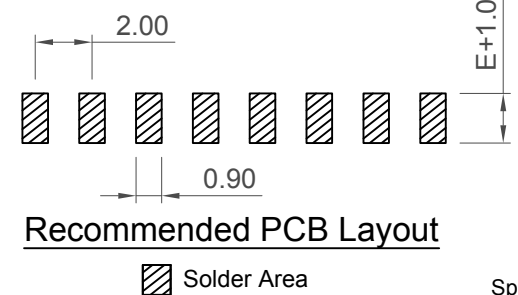
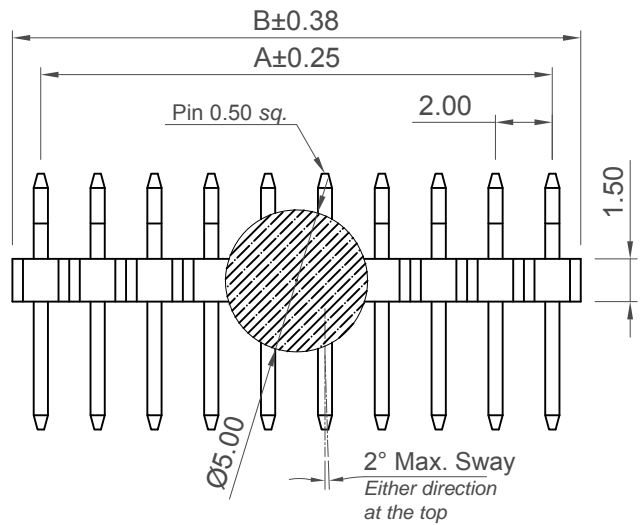


H  
G  
F  
E  
D  
C  
B  
A



**Specifications**

**Material**  
 Contact: Copper Alloy  
 Insulator:  
 Standard: Polyamide, Nylon 6T, UL 94-V0  
 Options: Polymer, LCP, UL 94-V0

**Plating**  
 See Ordering Grid

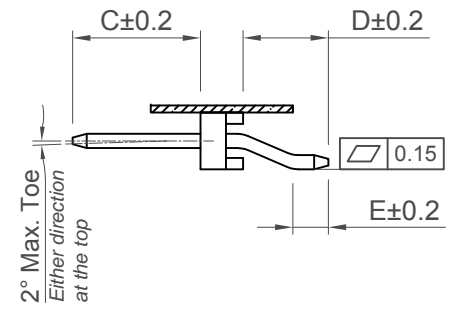
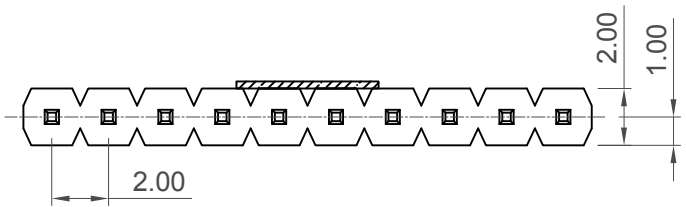
**Electrical**  
 Current Rating: 2 Amp per pin  
 Insulation Resistance: 1000 MΩ min  
 Contact Resistance: 20 mΩ max.  
 Dielectric Withstand Voltage: AC 500 V

**Mechanical & Environmental**  
 Operating Temperature: -40°C to +105°C

**Soldering Process:**  
 Nylon 6T (Standard) -  
 IR Reflow: 260°C for 10 sec.  
 Manual Solder: 350°C for 3-5 sec  
 LCP (Option) -  
 IR Reflow: 260°C for 10 sec.  
 Manual Solder : 350°C for 3-5 sec

**Mates with (Subject to pin length)**  
 BF065 BF075 BF080 BF095 BF100  
 BF105 BF110 BF112 BF115 BF120  
 Perfect Planar Mating with (Subject to pin length)  
 BF087 BF088

Number of Contacts	Dimensions	
	A	B
2	2.0	4.0
3	4.0	6.0
4	6.0	8.0
5	8.0	10.0
6	10.0	12.0
7	12.0	14.0
8	14.0	16.0
9	16.0	18.0
10	18.0	20.0
11	20.0	22.0
12	22.0	24.0
13	24.0	26.0
14	26.0	28.0
15	28.0	30.0
16	30.0	32.0
17	32.0	34.0
18	34.0	36.0
19	36.0	38.0
20	38.0	40.0
21	40.0	42.0
22	42.0	44.0
23	44.0	46.0
24	46.0	48.0
25	48.0	50.0
26	50.0	52.0
27	52.0	54.0
28	54.0	56.0
29	56.0	58.0
30	58.0	60.0
31	60.0	62.0
32	62.0	64.0
33	64.0	66.0
34	66.0	68.0
35	68.0	70.0
36	70.0	72.0
37	72.0	74.0
38	74.0	76.0
39	76.0	78.0
40	78.0	80.0



**Ordering Grid**

BF035 - XX - X - XXXX - XXXX - XXXX - X - X

No. of Contacts: 02 to 40

**Contact Plating**  
 A = Gold Flash All Over (Standard)  
 B = Selective Gold Flash Contact Area/  
 Tin On Tail  
 C = Tin All Over  
 G = 10µ" Gold Contact Area/Tin On Tail  
 I = 30µ" Gold Contact Area/Tin On Tail

**Packing Options**  
 C = Tape and Reel with Film (Standard)  
 D = Tube  
 F = Tube with Film

**Insulator Material**  
 N = Nylon 6T (Standard)  
 L = LCP

**Dimension E (1/100mm) (Pin Curve to End of Pin)**  
 0127 = 1.27mm (Standard-Minimum)  
 Or specify Custom Pin Curve to End of Pin Dimension  
 eg 0170 = 1.70mm (Maximum)

**Dimension D (1/100mm) (Insulator to End of Pin)**  
 0300 = 3.00mm (Standard)  
 Or specify Insulator to End of Pin Dimension  
 eg 0250 = 2.50mm (Minimum)  
 (Maximum 0500 = 5.00mm)

**Dimension C (1/100mm) (Post Length)**  
 (Post Length)  
 0400 = 4.00mm (Standard)  
 Or specify Custom Post Length  
 eg 0250 = 2.50mm  
 (Maximum 1000 = 10.00mm)  
 (Minimum 0100 = 1.00mm)

**Request Samples and Quotation**

Part Number		Product Description	
BF035		2.00mm Pitch Pin Header	
Drawing Date		Single Row, Surface Mount, Horizontal	
26th October 2007			
By	CC	Tolerances (Except as Noted)	Units:
Detail	BF035 E PCN	Length X. ± 0.30 X.X ± 0.25 X.XX ± 0.15 X.XXX ± 0.10	Metric (mm)
Revision	E3	Angle X.° ± 5° X.X° ± 3° X.XX° ± 2° X.XXX° ± 1°	
Date	28/09/17		



This drawing is confidential and copyright of Global Connector Technology, Ltd (GCT). This drawing must not be copied or disclosed without written consent. E & OE



Not to Scale	Drawn By LYH	Sheet No. 1/1
--------------	--------------	---------------