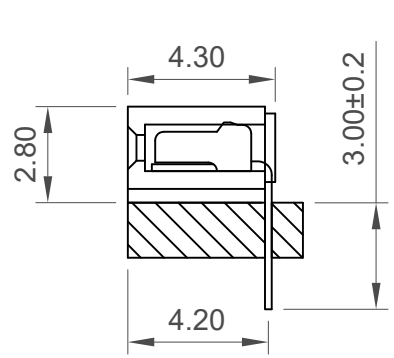
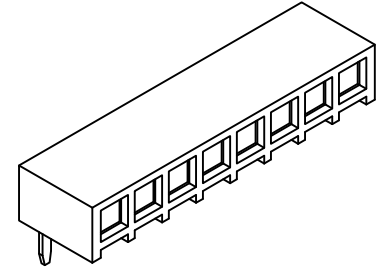
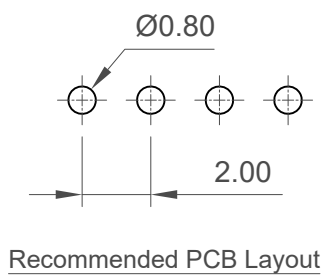
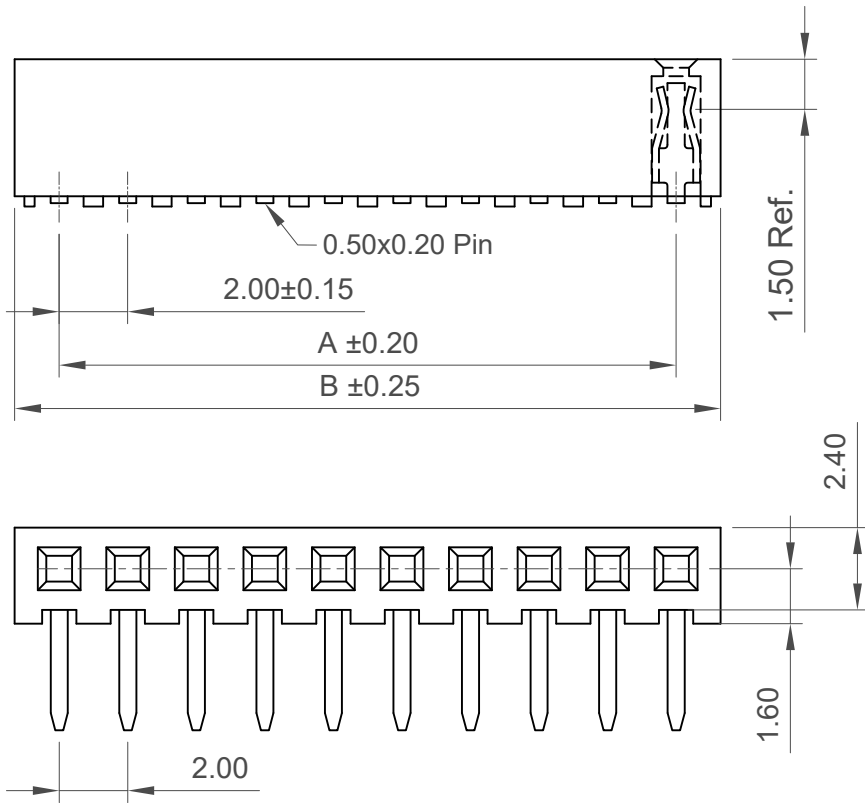


H
G
F
E
D
C
B
A



No. of Contacts	Dimension	
	A	B
2	2.0	4.6
3	4.0	6.6
4	6.0	8.6
5	8.0	10.6
6	10.0	12.6
7	12.0	14.6
8	14.0	16.6
9	16.0	18.6
10	18.0	20.6
11	20.0	22.6
12	22.0	24.6
13	24.0	26.6
14	26.0	28.6
15	28.0	30.6
16	30.0	32.6
17	32.0	34.6
18	34.0	36.6
19	36.0	38.6
20	38.0	40.6
21	40.0	42.6
22	42.0	44.6
23	44.0	46.6
24	46.0	48.6
25	48.0	50.6
26	50.0	52.6
27	52.0	54.6
28	54.0	56.6
29	56.0	58.6
30	58.0	60.6
31	60.0	62.6
32	62.0	64.6
33	64.0	66.6
34	66.0	68.6
35	68.0	70.6
36	70.0	72.6
37	72.0	74.6
38	74.0	76.6
39	76.0	78.6
40	78.0	80.6

Specifications 规格

Material 物料

Insulator 绝缘体:
Standard 标准: Polyamide 聚酰胺, Nylon 6T, UL94V-0
Options 可选: Polymer 聚合物, LCP, UL94V-0

Contact 接触: Phosphor Bronze

Plating 电镀

Contact 接触: See Ordering Grid

Electrical 电气

Current Rating 电流额定值: 2 Amp per contact
Contact Resistance 接触电阻值: 20 mΩ max.
Insulation Resistance 绝缘电阻值: 1000 MΩ min.
Dielectric Withstand Voltage 寒耐电压: 600 V AC

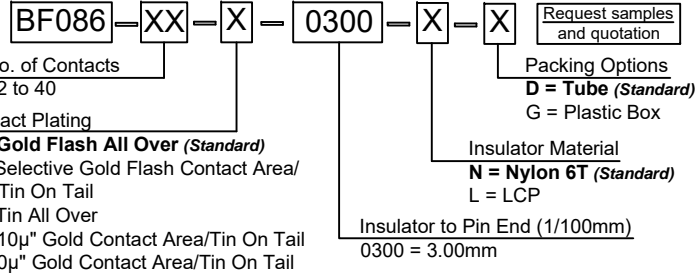
Mechanical & Environmental 机械 & 环境

Operating Temperature 工作温度: -40°C to +105°C
Soldering Process 可焊性
Nylon 6T (Standard 标准物料)
IR Reflow 回流焊: 260°C for 10 sec.
Wave 波峰焊: 230°C for 5-10 sec.
Manual Solder 人工焊接: 350°C for 3-5sec
LCP (Option 可选物料)
IR Reflow 回流焊: 260°C for 10 sec.
Wave 波峰焊: 250°C for 5-10 sec.
Manual Solder 人工焊接: 350°C for 3-5 sec

Mates with 配套之公头 (Subject to Pin Length 在端子长度适合的条件下)

BF020 BF021 BF025 BF035
BF036 BF040 BF130

Ordering Grid



Part Number		Product Description	
BF086		2.0mm Pitch Socket, Single Row, Through Hole, Horizontal	
Drawing Date		9th March 2009	
By	AJO	Tolerances (Except as Noted)	Units: Metric (mm)
Detail	BF086 E PCN	Length X. ± 0.30 X.X ± 0.20 X.XX ± 0.15 X.XXX ± 0.10	Angle X.° ± 5° X.X° ± 2° X.XX° ± 1° X.XXX° ± 0.5°
Revision	E1	3rd Angle Projection	
Date	06/12/16	RoHS COMPLIANT 2011/08/05 EU DECLARATION	

This drawing is confidential and copyright of Global Connector Technology, Ltd (GCT). This drawing must not be copied or disclosed without written consent. E & OE

GCT
Global Connector Technology
www.gct.co

Not to Scale
Drawn By LYH
Sheet No. 1/1