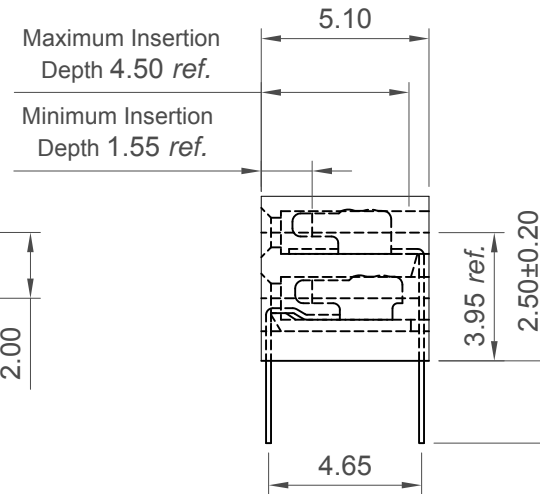
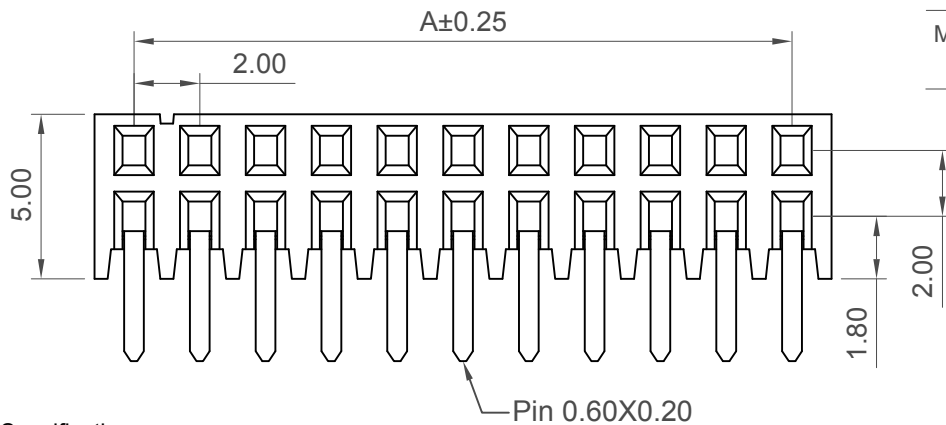
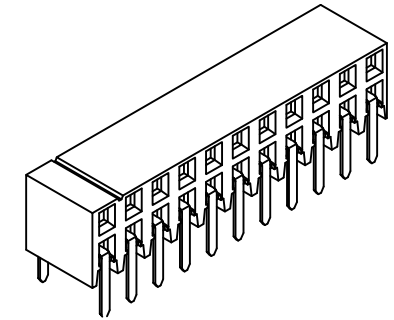


**Recommended PCB Layout**



Number of Contacts	Dimensions	
	A	B
4	2.0	4.4
6	4.0	6.4
8	6.0	8.4
10	8.0	10.4
12	10.0	12.4
14	12.0	14.4
16	14.0	16.4
18	16.0	18.4
20	18.0	20.4
22	20.0	22.4
24	22.0	24.4
26	24.0	26.4
28	26.0	28.4
30	28.0	30.4
32	30.0	32.4
34	32.0	34.4
36	34.0	36.4
38	36.0	38.4
40	38.0	40.4
42	40.0	42.4
44	42.0	44.4
46	44.0	46.4
48	46.0	48.4

**Specifications**

**Material**

Insulator:  
 Standard: Polyamide, Nylon 6T, UL 94V-0  
 Option: Polymer, LCP, UL 94V-0  
 Contact: Phosphor Bronze

**Plating**

Contact: See ordering grid  
 Underplating : Nickel all over

**Electrical**

Current Rating: 2 Amp Per Pin  
 Contact Resistance: 20 mΩ max.  
 Insulation Resistance: 1000 MΩ min.  
 Dielectric Withstand Voltage: 500 V AC

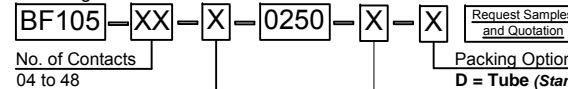
**Mechanical & Environmental**

Operating Temperature: -40°C to +105°C  
 Soldering Process:  
 Nylon 6T (Standard) -  
 IR Reflow: 260°C for 10 sec.  
 Wave: 230°C for 5-10 sec.  
 Manual Solder: 350°C for 3-5 sec  
 LCP (Option) -  
 IR Reflow: 260°C for 10 sec.  
 Wave: 250°C for 5-10 sec.  
 Manual Solder: 350°C for 3-5 sec

Mates with (Subject to Pin Length)

BF030 BF045 BF050  
 BF055 BF145

**Ordering Grid**



**Contact Plating**

A = Gold Flash All Over (Standard)  
 B = Selective Gold Flash Contact Area/Tin On Tail  
 C = Tin All Over  
 G = 10µ" Gold Contact Area/Tin On Tail  
 I = 30µ" Gold Contact Area/Tin On Tail

Part Number		Product Description	
BF105		2.00mm Pitch Socket, Dual Row, Through Hole, Horizontal, Side Entry	
Drawing Date		31st October 2007	
By	CC	Tolerances (Except as Noted)	Units:
Detail	BF105 F PCN	Length X. ± 0.30 X.X ± 0.25 X.XX ± 0.15 X.XXX ± 0.10	Metric (mm)
Revision	F2	Angle X.° ± 5° X.X° ± 3° X.XX° ± 2° X.XXX° ± 1°	RoHS COMPLIANT 2011/65/UEU Deca-SIDE
Date	28/11/19	3rd Angle Projection	This drawing is confidential and copyright of Global Connector Technology, Ltd (GCT). This drawing must not be copied or disclosed without written consent. E & OE



www.gct.co

Not to Scale	Drawn By LYH	Sheet No. 1/1
--------------	--------------	---------------