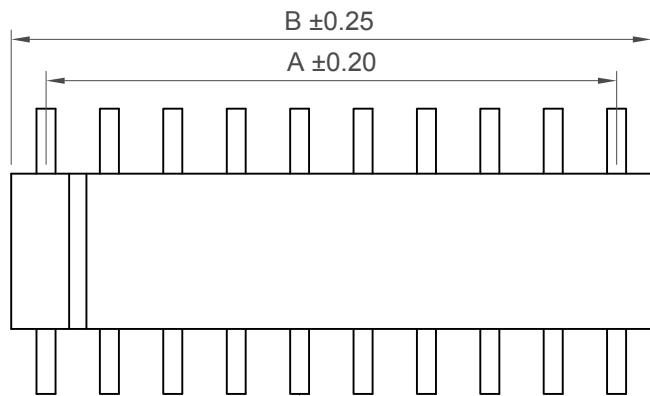
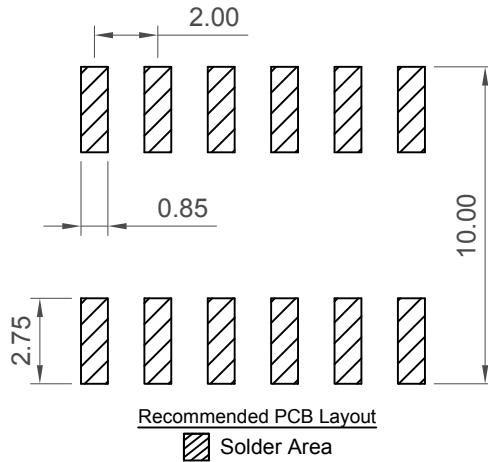


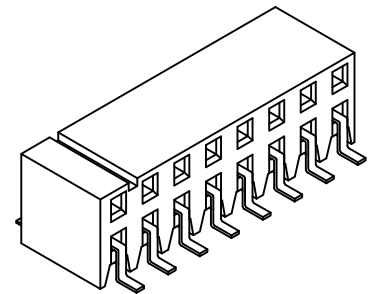
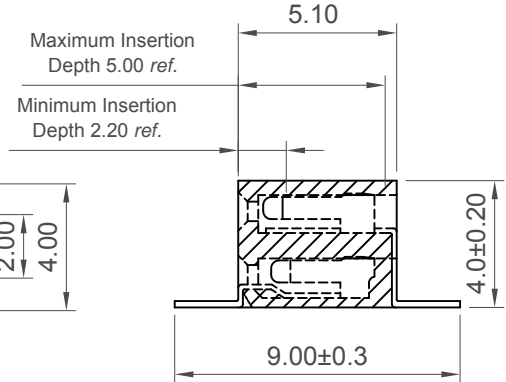
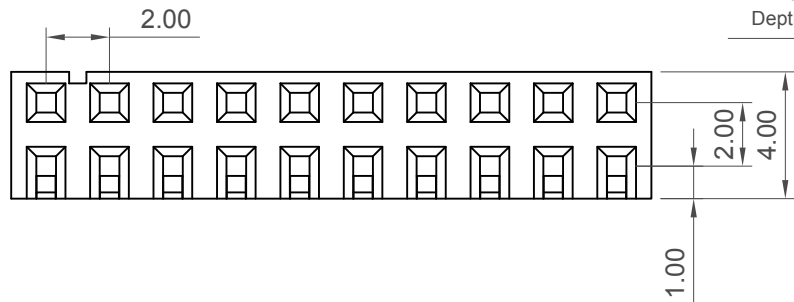
H  
G  
F  
E  
D  
C  
B  
A



Pin 0.60X0.20



Recommended PCB Layout  
Solder Area



No. of Contacts	Dimensions	
	A	B
6	4.0	6.0
8	6.0	8.0
10	8.0	10.0
12	10.0	12.0
14	12.0	14.0
16	14.0	16.0
18	16.0	18.0
20	18.0	20.0
22	20.0	22.0
24	22.0	24.0
26	24.0	26.0
28	26.0	28.0
30	28.0	30.0
32	30.0	32.0
34	32.0	34.0
36	34.0	36.0
38	36.0	38.0
40	38.0	40.0
42	40.0	42.0
44	42.0	44.0
46	44.0	46.0
48	46.0	48.0
50	48.0	50.0

**Specifications**

**Material**  
 Contact: Phosphor Bronze  
 Insulator:  
 Standard: Polyamide, Nylon 6T, UL 94V-0  
 Options: Polymer, LCP, UL 94V-0

**Plating**  
 See Ordering Grid

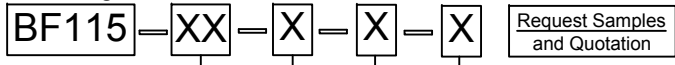
**Electrical**  
 Current Rating: 2 Amp Per Pin  
 Insulation Resistance: 1000 MΩ min  
 Contact Resistance: 20 mΩ max.  
 Dielectric Withstand Voltage: AC 500 V

**Mechanical & Environmental**  
 Operating Temperature: -40°C to +105°C

**Soldering Process:**  
 Nylon 6T (Standard) -  
 IR Reflow: 260°C for 10 sec.  
 Wave: 230°C for 5-10 sec.  
 Manual Solder: 350°C for 3-5 sec  
 LCP (Option) -  
 IR Reflow: 260°C for 10 sec.  
 Wave: 250°C for 5-10 sec.  
 Manual Solder: 350°C for 3-5 sec

**Mates with (Subject to pin length):**  
 BF030 BF045 BF050 BF055  
 BF060 BF135 BF140 BF145

**Ordering Grid**



No. of Contacts  
06 to 50

**Packing Options**  
 A = Tape and Reel (Standard)  
 D = Tube

**Contact Plating**  
 A = Gold Flash All Over (Standard)  
 B = Selective Gold Flash Contact Area/  
 Tin On Tail

**Insulator Material**  
 N = Nylon 6T (Standard)  
 L = LCP

C = Tin All Over  
 G = 10μ" Gold Contact Area/Tin On Tail  
 I = 30μ" Gold Contact Area/Tin On Tail

Part Number		Product Description	
BF115		2.00mm Pitch Socket, Dual Row, Surface Mount, Horizontal	
Drawing Date		31st October 2007	
By	CC	Tolerances (Except as Noted)	Units:
Detail	BF115 C PCN	Length X. ± 0.38 X.X ± 0.25 X.XX ± 0.13	Metric (mm)
Revision	C1	Angle X° ± 5° X.X° ± 2° X.XX° ± 1°	3rd Angle Projection
Date	09/11/17	X.XXX ± 0.5°	



This drawing is confidential and copyright of Global Connector Technology, Ltd (GCT). This drawing must not be copied or disclosed without written consent. E & OE



www.gct.co

Not to Scale	Drawn By LYH	Sheet No. 1/1
--------------	--------------	---------------