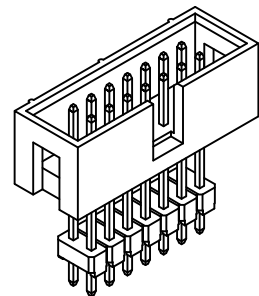
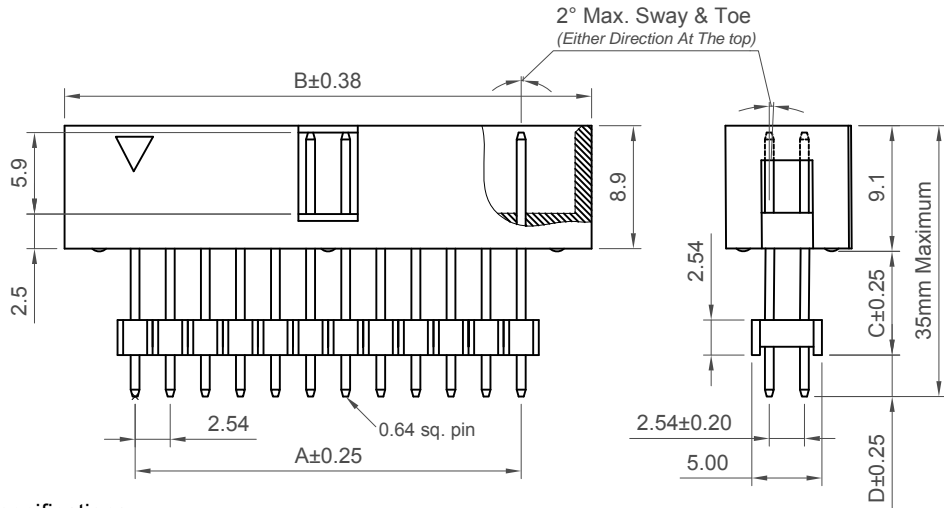


**Recommended PCB Layout**

General Tolerance: ±0.05



Number of Contacts	Dimensions	
	A	B
6	5.08	15.27
8	7.62	17.81
10	10.16	20.35
12	12.70	22.89
14	15.24	25.43
16	17.78	27.97
18	20.32	30.51
20	22.86	33.05
22	25.40	35.59
24	27.94	38.13
26	30.48	40.67
28	33.02	43.21
30	35.56	45.75
32	38.10	48.29
34	40.64	50.83

Number of Contacts	Dimensions	
	A	B
36	43.18	53.37
38	45.72	55.91
40	48.26	58.45
42	50.80	60.99
44	53.34	63.53
46	55.88	66.07
48	58.42	68.61
50	60.96	71.15
52	63.50	73.69
54	66.04	76.23
56	68.58	78.77
58	71.12	81.31
60	73.66	83.85
62	76.20	86.39
64	78.74	88.93

**Specifications**

**Material**

Insulator:  
 Standard: Polyamide, Nylon 6T, UL94V-0  
 Options: Polymer, LCP, UL94V-0  
 Polyester, PBT, UL94V-0  
 Contact: Copper Alloy

**Plating**

Contact: See Ordering Grid

**Electrical**

Current Rating: 3 Amp per pin  
 Contact Resistance: 20 mΩ max.  
 Insulation Resistance: 1000 MΩ min.  
 Dielectric Withstand Voltage: 600 V AC

**Mechanical & Environmental**

Operating Temperature: -40°C to +105°C

**Soldering Process**

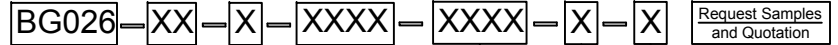
Nylon 6T (Standard)  
 IR Reflow: 260°C for 10 sec.  
 Wave: 230°C for 5-10 sec.  
 Manual Solder: 350°C for 3-5sec  
 LCP (Option)  
 IR Reflow: 260°C for 10 sec.  
 Wave: 250°C for 5-10 sec  
 Manual Solder: 350°C for 3-5 sec  
 PBT (Option)  
 Manual Solder: 330°C for 3-5sec  
 (Not suitable for hi-temp process)

Mates with (Subject to Pin Length)

Allowing perfect polarisation: BG215 BG216

Non-Polarised mating connections available - contact GCT for details

**Ordering Grid**



No. of Contacts  
06 to 64

**Contact Plating**

A = Gold Flash All Over (Standard)  
 B = Selective Gold Flash Contact Area/  
 Tin On Tail  
 C = Tin All Over  
 G = 10µ" Gold Contact Area/Tin On Tail  
 I = 30µ" Gold Contact Area/Tin On Tail

**Dimension C (1/100mm) (Elevation Height)**

0750 = 7.50mm (Standard)  
 Or specify Custom Elevation Height  
 eg. 0250 = 2.50mm  
 (Maximum 2010 = 20.10mm)  
 (Minimum 0380 = 3.80mm)

Packing Options  
 G = Plastic Box (Standard)  
 D = Tube

Insulator Material  
 N = Nylon 6T (Standard)  
 P = PBT  
 L = LCP

**Dimension D (1/100mm) (Tail Length)**

0300 = 3.00mm (Standard)  
 Or specify Custom Tail Length  
 eg. 0250 = 2.50mm  
 (Maximum 1000 = 10.00mm)  
 (Minimum 0050 = 0.50mm)

Part Number BG026		Product Description 2.54mm Pitch Elevated Shrouded Pin Header, Dual Row, Through Hole, Vertical					
Drawing Date 30th March 2007							
By	CC	Tolerances (Except as Noted)		Units:			
Detail	BG026 C PCN	X. ± 0.30	X.° ± 5°	Metric (mm)			
Revision	C3	X.X ± 0.20	X.XX° ± 2°				
Date	30/11/18	X.XX ± 0.15	X.XXX° ± 1°				
		X.XXX ± 0.10	X.XXX° ± 0.5°			This drawing is confidential and copyright of Global Connector Technology, Ltd (GCT). This drawing must not be copied or disclosed without written consent. E & OE	
						Not to Scale Drawn By AJO Sheet No. 1/1	

H  
G  
F  
E  
D  
C  
B  
A