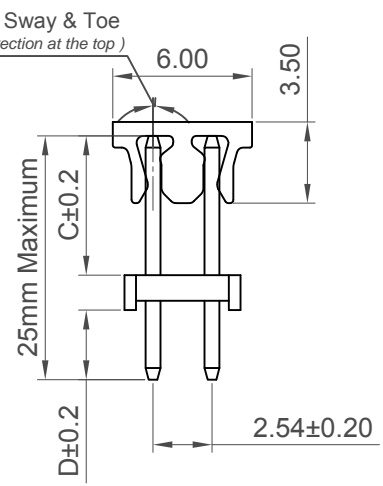
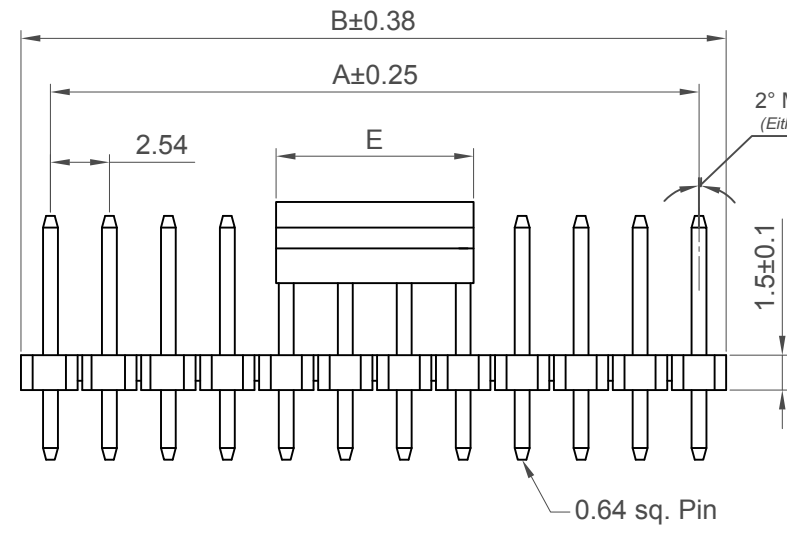


Recommended PCB Layout



Specifications

Material
 Insulator:
 Standard: Polyamide, Nylon 6T, UL94V-0
 Options: Polymer, LCP, UL94V-0
 Polyester, PBT, UL94V-0
 Contact: Copper Alloy

Plating
 Contact: See ordering grid

Electrical
 Current Rating: 3 Amp Per Pin
 Contact Resistance: 20 mΩ max.
 Insulation Resistance: 1000 MΩ min.
 Dielectric Withstand Voltage: 600 V AC

Mechanical & Environmental
 Operating Temperature: -40°C to +105°C

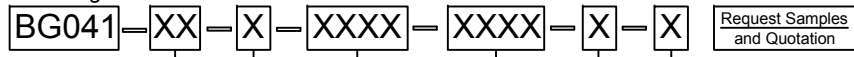
Soldering Process
 Nylon 6T (Standard)
 IR Reflow: 260°C for 10 sec.
 Wave: 230°C for 5-10 sec
 Manual Solder: 350°C for 3-5 sec
 LCP (Option)
 IR Reflow: 260°C for 10 sec.
 Wave: 250°C for 5-10 sec.
 Manual Solder: 350°C for 3-5sec
 PBT (Option)
 Manual Solder: 330°C for 3-5sec
 (not suitable for hi-temp process)

Mates with (Subject to Pin Length)
 BG120 BG121 BG140 BG150 BG151
 BG152 BG160 BG165 BG166 BG170
 BG175 BG180 BG185 BG190 BG195
 BG200 BG210 BG220 BG225

BG120 Recommended mating length 3.00mm
 BG121 Recommended mating length 3.00mm
 BG165 Recommended mating length 3.00mm
 BG166 Recommended mating length 3.00mm
 BG170 Recommended mating length 3.00mm
 BG190 Recommended mating length 3.00mm

Number of Contacts	Dimensions		
	A	B	E
4	2.54	5.08	5.00
6	5.08	7.62	6.00
8	7.62	10.16	
10	10.16	12.70	
12	12.70	15.24	
14	15.24	17.78	
16	17.78	20.32	
18	20.32	22.86	8.50
20	22.86	25.40	
22	25.40	27.94	
24	27.94	30.48	
26	30.48	33.02	
28	33.02	35.56	
30	35.56	38.10	
32	38.10	40.64	
34	40.64	43.18	
36	43.18	45.72	
38	45.72	48.26	
40	48.26	50.80	
42	50.80	53.34	
44	53.34	55.88	
46	55.88	58.42	
48	58.42	60.96	
50	60.96	63.50	
52	63.50	66.04	
54	66.04	68.58	
56	68.58	71.12	
58	71.12	73.66	
60	73.66	76.20	
62	76.20	78.74	
64	78.74	81.28	
66	81.28	83.82	
68	83.82	86.36	
70	86.36	88.90	
72	88.90	91.44	
74	91.44	93.98	
76	93.98	96.52	
78	96.52	99.06	
80	99.06	101.60	

Ordering Grid



Contact Plating
 A = Gold Flash All Over (Standard)
 B = Selective Gold Flash Contact Area/ Tin On Tail
 C = Tin All Over
 G = 10µ" Gold Contact Area/Tin On Tail
 I = 30µ" Gold Contact Area/Tin On Tail

Packing Options
 G = Plastic Box (Standard)
 B = Tape & Reel with Cap
 D = Tube
 E = Tube with Cap

Insulator Material
 N = Nylon 6T (Standard)
 L = LCP

Dimension C (1/100mm) (Post Height)
 0300 = 3.00mm (Standard)
 0600 = 6.00mm (Standard)
 Or specify custom Post Height
 eg. 0250 = 2.50mm
 (Maximum 1500=15.00mm)
 (Minimum 0050=0.50mm)

Dimension D (1/100mm) (Tail Length)
 0300 = 3.00mm (Standard)
 Or specify custom Tail Length
 eg. 0250 = 2.50mm
 (Maximum 1500=15.00mm)
 (Minimum 0050=0.50mm)

Part Number		Product Description	
BG041		2.54mm Pitch Pin Header	
Drawing Date		Dual Row, Through Hole, Vertical, Low Profile	
13th April 2007			
By	CC	Tolerances (Except as Noted)	Units:
Detail	Drawing Release	Length X. ± 0.30 X.X ± 0.20 X.XX ± 0.15 X.XXX ± 0.10	Metric (mm)
Revision	A3	Angle X.° ± 5° X.X° ± 3° X.XX° ± 2° X.XXX° ± 1°	
Date	06/09/17		



This drawing is confidential and copyright of Global Connector Technology, Ltd (GCT). This drawing must not be copied or disclosed without written consent. E & OE



Not to Scale	Drawn By BC	Sheet No. 1/1
--------------	-------------	---------------