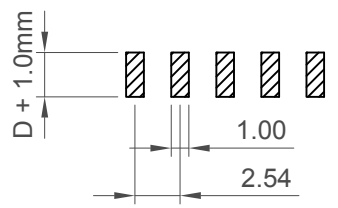
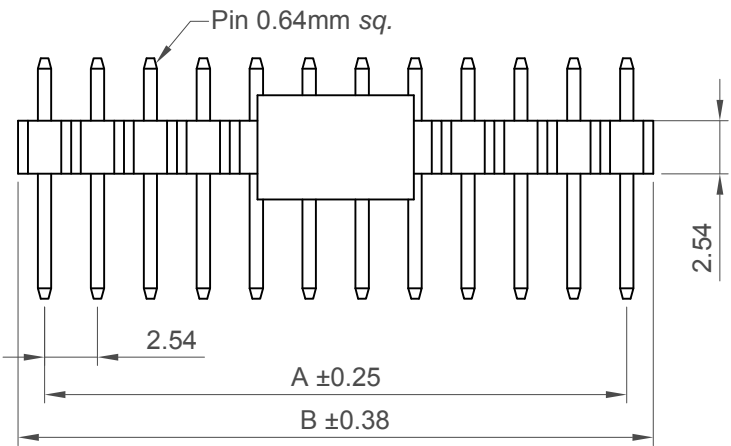
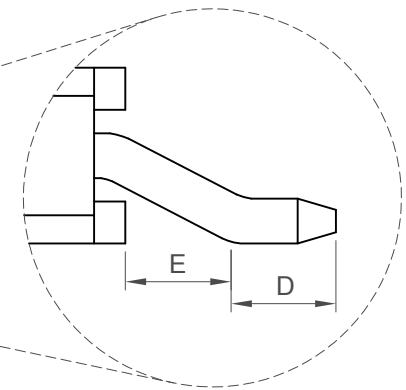
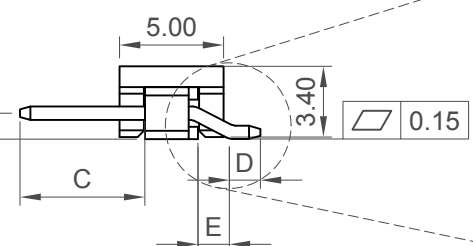
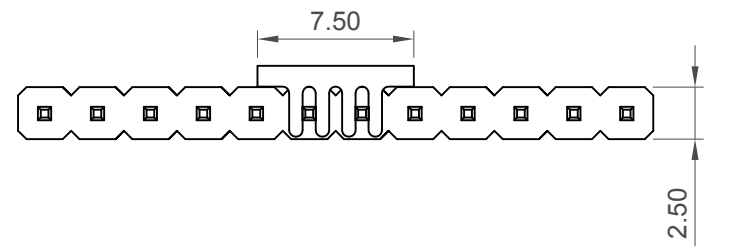
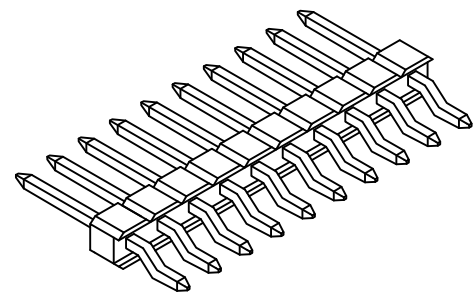


H
G
F
E
D
C
B
A



Recommended PCB Layout

▨ Solder Area



Number of Contacts	Dimensions	
	A	B
2	2.54	5.08
3	5.08	7.62
4	7.62	10.16
5	10.16	12.70
6	12.70	15.24
7	15.24	17.78
8	17.78	20.32
9	20.32	22.86
10	22.86	25.40
11	25.40	27.94
12	27.94	30.48
13	30.48	33.02
14	33.02	35.56
15	35.56	38.10
16	38.10	40.64
17	40.64	43.18
18	43.18	45.72
19	45.72	48.26
20	48.26	50.80
21	50.80	53.34
22	53.34	55.88
23	55.88	58.42
24	58.42	60.96
25	60.96	63.50
26	63.50	66.04
27	66.04	68.58
28	68.58	71.12
29	71.12	73.66
30	73.66	76.20
31	76.20	78.74
32	78.74	81.28
33	81.28	83.82
34	83.82	86.36
35	86.36	88.90
36	88.90	91.44
37	91.44	93.98
38	93.98	96.52
39	96.52	99.06
40	99.06	101.60

Specifications

Material
 Insulator:
 Standard: Polyamide, Nylon 6T, Black, UL 94V-0
 Options: Polyamide, Nylon 6T, White, UL 94V-0
 Options: Polymer, LCP, UL 94V-0
 Contac: Copper Alloy

Plating
 Contact: See Ordering Grid

Electrical
 Current Rating: 3 Amp Per Pin
 Contact Resistance: 20 mΩ max.
 Insulation Resistance: 1000 MΩ min.
 Dielectric Withstand Voltage: 600 V AC

Mechanical & Environmental
 Operating Temperature: -40°C to +105°C

Soldering Process
 Nylon 6T (Standard)
 IR Reflow: 260°C for 10 sec.
 Wave: 230°C for 5-10 sec.
 Manual Solder: 350°C for 3-5sec

LCP (Option)
 IR Reflow: 260°C for 10 sec.
 Wave: 250°C for 5-10 sec.
 Manual Solder: 350°C for 3-5 sec

Mates with (Subject to Pin Length)
 BG090 BG095 BG096 BG100
 BG110 BG115 BG125 BG126
 BG130 BG135 BG205
 Perfect Planar Mating with
 BG145 BG230

Ordering Grid

BG080	XX	X	XXXX	XXXX	XXXX	X	X	Request Samples and Quotation	
No. of Contacts 02 to 40		Contact Plating A = Gold Flash All Over (Standard) B = Selective Gold Flash Contact Area/Tin On Tail C = Tin All Over G = 10µ" Gold Contact Area/Tin On Tail I = 30µ" Gold Contact Area/Tin On Tail		Packing Options B = Tube and Reel with Cap (Standard) D = Tube E = Tube with Cap		Insulator Material N = Nylon 6T Black (Standard) L = LCP Black W = Nylon 6T White			
Dimension C (1/100mm) (Post Length) 0710 = 7.10mm (Standard) Or specify Custom Post Length eg. 0250 = 2.50mm (Maximum 1200 = 12.00mm) (Minimum 0100 = 1.00mm)				Dimension E (1/100mm) (Insulator to Pin Solder Area) 0150 = 1.50mm (Standard-Minimum) Or specify Dimension E eg. 0250 = 2.50mm (Maximum)				Dimension D (1/100mm) (Pin Solder Area) 0150 = 1.50mm (Standard)	

Part Number BG080		Product Description 2.54mm Pitch Pin Header, Single Row, Surface Mount, Horizontal, without Locating Peg	
Drawing Date 30th October 2006			
By CC	Tolerances (Except as Noted) Length Angle	Units: Metric (mm)	<p>This drawing is confidential and copyright of Global Connector Technology, Ltd (GCT). This drawing must not be copied or disclosed without written consent. E & OE</p>
Detail BG080 D PCN	X.X ± 0.30 X.XX ± 0.20		
Revision D4			
Date 26/12/18			

GCT
www.gct.co

Not to Scale	Drawn By LYH	Sheet No. 1/1
--------------	-----------------	------------------