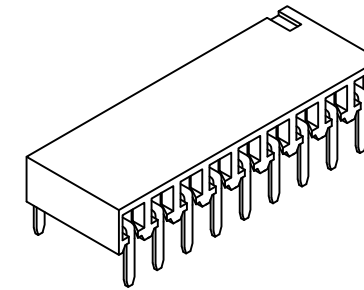


Recommended PCB Layout



Specifications 规格

Material 物料

Insulator 绝缘体:  
 Standard 标准: Polyamide 聚酰胺, Nylon 6T, UL94V-0  
 Options 可选: Polymer 聚合物, LCP, UL94V-0  
 Polyester 聚酯, PBT, UL94V-0  
 Contact 接触: Copper Alloy

Plating 电镀

Contact 接触: See Ordering Grid

Electrical 电气

Current Rating 电流额定值: 3 Amp Per Pin  
 Contact Resistance 接触电阻值: 20 mΩ max.  
 Insulation Resistance 绝缘电阻值: 1000 MΩ min.  
 Dielectric Withstand Voltage 耐电压: 600 V AC

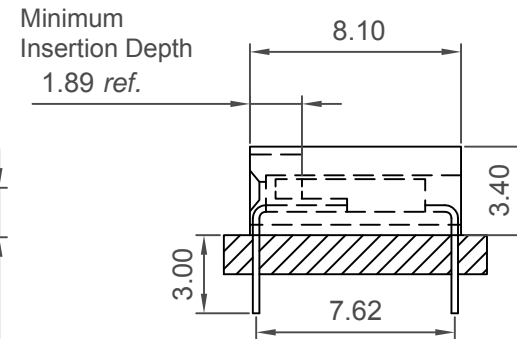
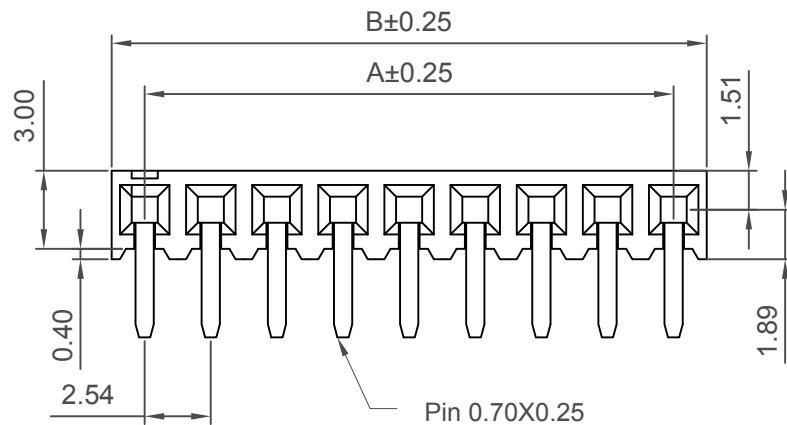
Mechanical & Environmental 机械 & 环境

Operating Temperature 工作温度: -40°C to +105°C  
 Soldering Process 可焊性:  
 Nylon 6T (Standard 标准物料)  
 IR Reflow 回流焊: 260°C for 10 sec.  
 Wave 波峰焊: 230°C for 5-10 sec.  
 Manual Solder 人工焊接: 350°C for 3-5 sec  
 LCP (Option 可选物料)  
 IR Reflow 回流焊: 260°C for 10 sec.  
 Wave 波峰焊: 250°C for 5-10 sec  
 Manual Solder 人工焊接: 350°C for 3-5 sec  
 PBT (Option 可选物料)  
 Manual Solder 人工焊接: 330°C for 3-5 sec.  
 (Not suitable for hi-temp process 不适合高温制程)

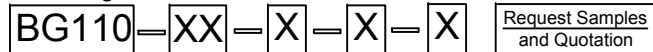
Mates with 配套之公头

(Subject to Pin Length 在端子长度适合的条件下)  
 BG020 BG030 BG031 BG035  
 BG055 BG060 BG075 BG080

Number of Contacts	Dimensions	
	A	B
2	2.54	5.08
3	5.08	7.62
4	7.62	10.16
5	10.16	12.70
6	12.70	15.24
7	15.24	17.78
8	17.78	20.32
9	20.32	22.86
10	22.86	25.40
11	25.40	27.94
12	27.94	30.48
13	30.48	33.02
14	33.02	35.56
15	35.56	38.10
16	38.10	40.64
17	40.64	43.18
18	43.18	45.72
19	45.72	48.26
20	48.26	50.80
21	50.80	53.34
22	53.34	55.88
23	55.88	58.42
24	58.42	60.96
25	60.96	63.50
26	63.50	66.04
27	66.04	68.58
28	68.58	71.12
29	71.12	73.66
30	73.66	76.20
31	76.20	78.74
32	78.74	81.28
33	81.28	83.82
34	83.82	86.36
35	86.36	88.90
36	88.90	91.44
37	91.44	93.98
38	93.98	96.52
39	96.52	99.06
40	99.06	101.60



Ordering Grid



No. of Contacts  
02 to 40

Contact Plating

A = Gold Flash All Over (Standard)  
 B = Selective Gold Flash Contact Area/Tin On Tail  
 C = Tin All Over  
 G = 10µ" Gold Contact Area/Tin On Tail  
 I = 30µ" Gold Contact Area/Tin On Tail

Packing Options

D = Tube (Standard)  
 G = Plastic Box

Insulator Material

N = Nylon 6T (Standard)  
 P = PBT  
 L = LCP

Part Number		Product Description	
BG110		2.54mm Pitch Socket, Single Row, Through-Hole, Horizontal	
Drawing Date		30th October 2006	
By	CC	Tolerances (Except as Noted)	Units:
Detail	BG110 E PCN	Length X. ± 0.30 X.X ± 0.20 X.XX ± 0.15 X.XXX ± 0.10	Angle X° ± 5° X.X° ± 2° X.XX° ± 1° X.XXX° ± 0.5°
Revision	E1		Metric (mm)
Date	21/06/17		3rd Angle Projection



This drawing is confidential and copyright of Global Connector Technology, Ltd (GCT). This drawing must not be copied or disclosed without written consent. E & OE



Not to Scale	Drawn By LYH	Sheet No. 1/1
--------------	--------------	---------------