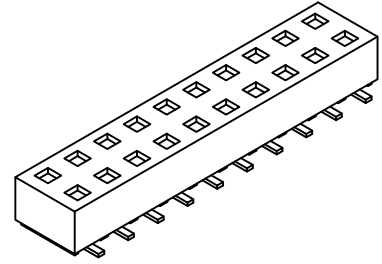
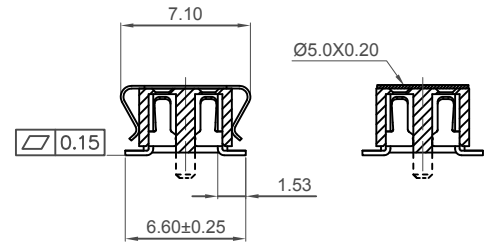
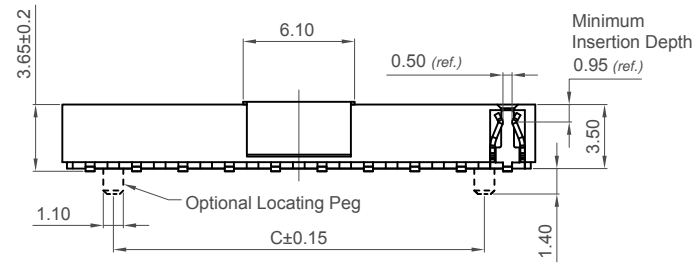


Recommended PCB Layout
 Solder Area



Number of Contacts	Dimensions		
	A	B	C
4	2.54	5.58	-
6	5.08	8.12	2.54
8	7.62	10.66	5.08
10	10.16	13.20	7.62
12	12.70	15.74	10.16
14	15.24	18.28	12.70
16	17.78	20.82	15.24
18	20.32	23.36	17.78
20	22.86	25.90	20.32
22	25.40	28.44	22.86
24	27.94	30.98	25.40
26	30.48	33.52	27.94
28	33.02	36.06	30.48
30	35.56	38.60	33.02
32	38.10	41.14	35.56
34	40.64	43.68	38.10
36	43.18	46.22	40.64
38	45.72	48.76	43.18
40	48.26	51.30	45.72
42	50.80	53.84	48.26
44	53.34	56.38	50.80
46	55.88	58.92	53.34
48	58.42	61.46	55.88
50	60.96	64.00	58.42
52	63.50	66.54	60.96
54	66.04	69.08	63.50
56	68.58	71.62	66.04
58	71.12	74.16	68.58
60	73.66	76.70	71.12
62	76.20	79.24	73.66
64	78.74	81.78	76.20
66	81.28	84.32	78.74
68	83.82	86.86	81.28
70	86.36	89.40	83.82
72	88.90	91.94	86.36
74	91.44	94.48	88.90
76	93.98	97.02	91.44
78	96.52	99.56	93.98
80	99.06	102.10	96.52

Specifications

Material Insulator:
 Standard: Polyamide, Nylon 6T, UL 94V-0
 Option: Polymer, LCP, UL 94V-0
 Contact : Copper Alloy

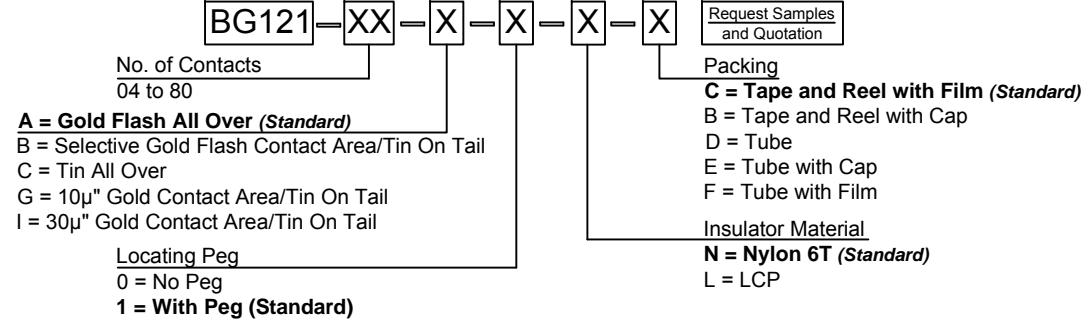
Plating
 See Ordering Grid

Electrical
 Current Rating: 3 Amp
 Insulator Resistance: 1000 MΩ min.
 Dielectric Withstanding : AC 600 V
 Contact Resistance: 20mΩ max.

Mechanical & Environmental
 Operating Temperature: -40°C to +105°C
Soldering Process:
 Nylon 6T (Standard) -
 IR Reflow : 260°C for 10 sec.
 Manual Solder : 350°C for 3-5 sec
 LCP (Option) -
 IR Reflow : 260°C for 10 sec.
 Manual Solder : 350°C for 3-5 sec

Mates With (Subject to pin length)
 BG025 BG040 BG041 BG045
 BG050 BG065 BG070 BG085

Ordering Grid



For bottom entry applications the locating peg option is recommended. Stringent soldering control & pin alignment are required as lead to pad misalignment could cause incorrect mating.

Part Number		Product Description	
BG121		2.54mm Pitch Socket	
Drawing Date		Dual Row, Surface Mount, Vertical, Dual Entry	
17th April 2007			
By	CC	Tolerances (Except as Noted)	Units:
Detail	BG121 C PCN	Length X. ± 0.30 X.X ± 0.25 X.XX ± 0.15 X.XXX ± 0.10	Metric (mm)
Revision	C1	Angle X.° ± 5° X.X° ± 3° X.XX° ± 2° X.XXX° ± 1°	
Date	08/04/19		



This drawing is confidential and copyright of Global Connector Technology, Ltd (GCT). This drawing must not be copied or disclosed without written consent. E & OE



Not to Scale	Drawn By AJO	Sheet No. 1/1
--------------	-----------------	------------------