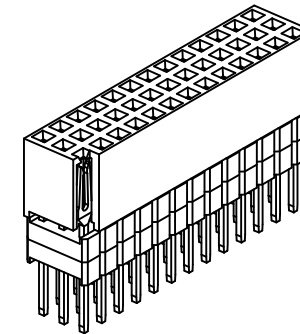
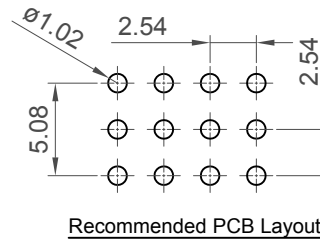
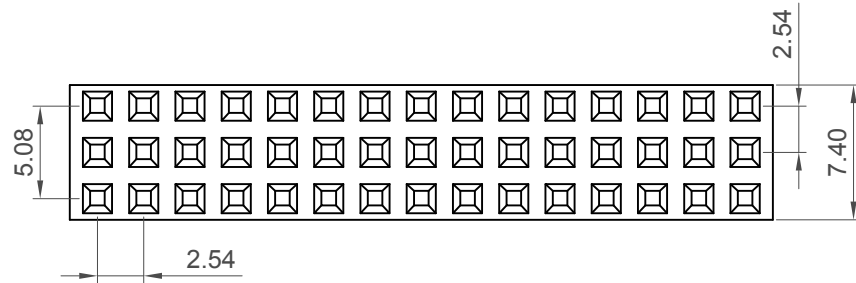
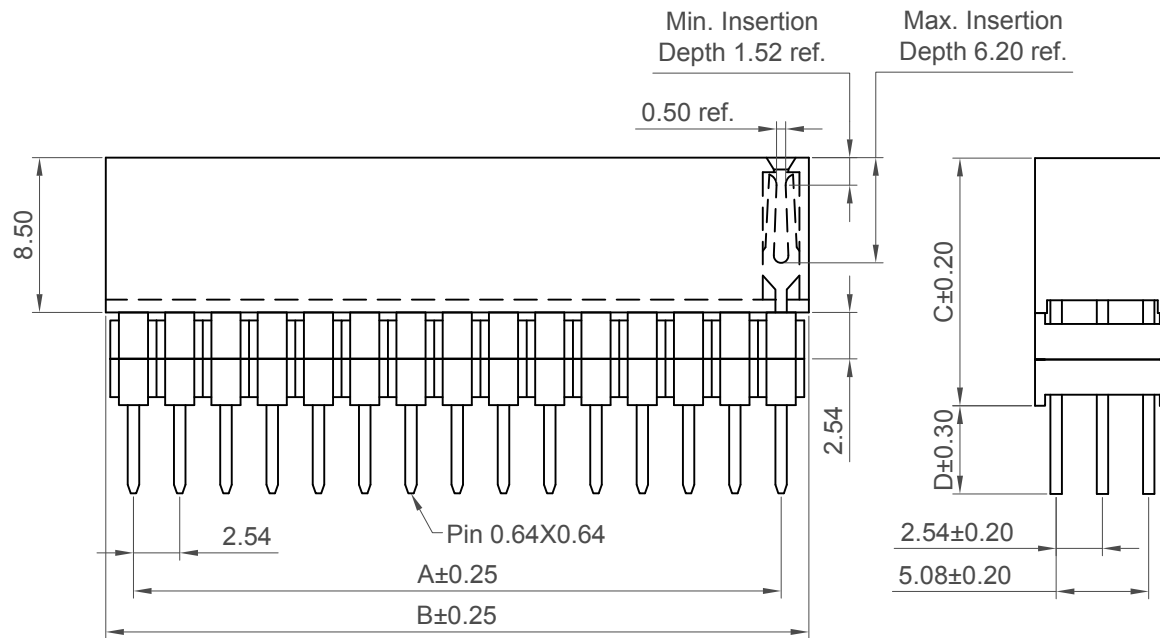


H
G
F
E
D
C
B
A



Number of Contacts	Dimensions	
	A	B
6	2.54	5.58
9	5.08	8.12
12	7.62	10.66
15	10.16	13.20
18	12.70	15.74
21	15.24	18.28
24	17.78	20.82
27	20.32	23.36
30	22.86	25.90
33	25.40	28.44
36	27.94	30.98
39	30.48	33.52
42	33.02	36.06
45	35.56	38.60
48	38.10	41.14
51	40.64	43.68
54	43.18	46.22
57	45.72	48.76
60	48.26	51.30
63	50.80	53.84
66	53.34	56.38
69	55.88	58.92
72	58.42	61.46
75	60.96	64.00
78	63.50	66.54
81	66.04	69.08
84	68.58	71.62
87	71.12	74.16
90	73.66	76.70
93	76.20	79.24
96	78.74	81.78
99	81.28	84.32
102	83.82	86.86
105	86.36	89.40
108	88.90	91.94
111	91.44	94.48
114	93.98	97.02
117	96.52	99.56
120	99.06	102.10



Specifications

Material

Contact: Copper Alloy
 Insulator Material:
 Standard: Polyamide, Nylon 6T, UL 94V-0
 Options: Polymer, LCP, UL 94V-0

Plating

See Ordering Grid

Electrical

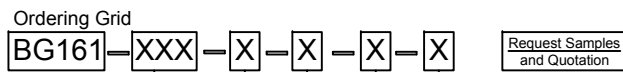
Current Rating: 3 Amp per pin
 Insulator Resistance: 1000 MΩ min.
 Contact Resistance: 20 mΩ max.
 Dielectric Withstanding: AC 600 V

Environmental & Mechanical

Operating Temperature: -40° to +105°C
 Soldering Process:

Nylon 6T (Standard) -
 IR Reflow: 260°C for 10 sec.
 Wave: 230°C for 5-10 sec.
 Manual Solder: 350°C for 3-5 sec
 LCP (Option) -
 IR Reflow: 260°C for 10 sec.
 Wave: 250°C for 5-10 sec.
 Manual Solder: 350°C for 3-5 sec

Mates with (subject to pin length)
 BG042 BG043



No. of Contacts
 06 to 120
 e.g. 06 = 006, 117 = 117

Contact Plating
A = Gold Flash All Over (Standard)
 B = Selective Gold Flash Contact Area/Tin On Tail
 C = Tin All Over
 G = 10µ" Gold Contact Area/Tin On Tail
 I = 30µ" Gold Contact Area/Tin On Tail

	DIM C	DIM D
A =	11.05	2.50
B =	11.05	7.35
C =	13.59	4.85
D =	16.13	2.30
E =	11.05	12.2
L =	13.59	9.65
G =	16.12	7.10
H =	18.67	4.70

Packing Options
D = Tube (Standard)
 F = Tube with Film
 G = Plastic Box

Insulator Material
N = Nylon 6T (Standard)
 L = LCP

Part Number		Product Description	
BG161		2.54mm Pitch Elevated Socket, Triple Row, Through Hole, Vertical	
Drawing Date		8th April 2007	
By	CC	Tolerances (Except as Noted)	Units:
Detail	BG161 C PCN	Length X. ± 0.30 X.X ± 0.20 X.XX ± 0.15 X.XXX ± 0.10	Metric (mm)
Revision	C1	Angle X° ± 5° X.X° ± 2° X.XX° ± 1° X.XXX° ± 0.5°	3rd Angle Projection
Date	20/11/17		



This drawing is confidential and copyright of Global Connector Technology, Ltd (GCT). This drawing must not be copied or disclosed without written consent. E & OE



Not to Scale	Drawn By BC	Sheet No. 1/1
--------------	-------------	---------------