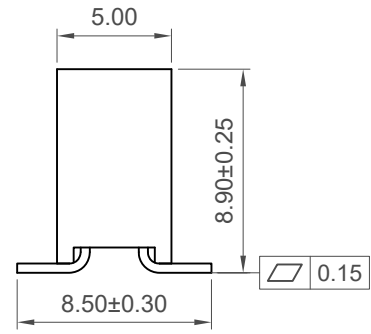
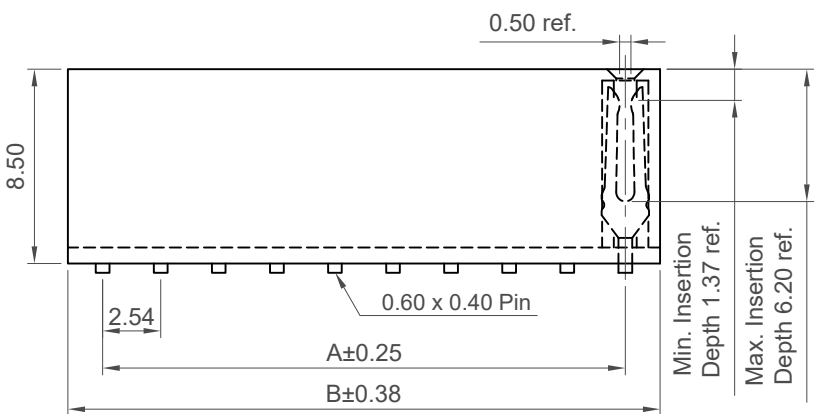
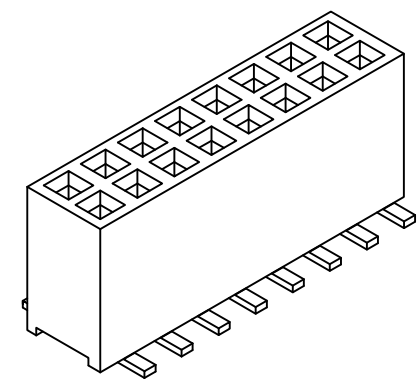
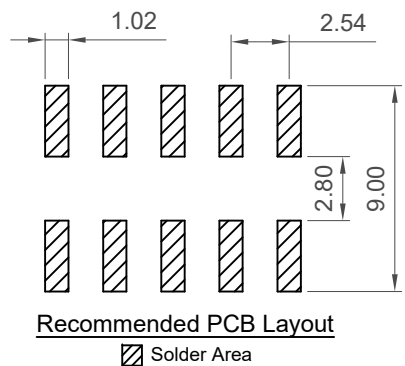
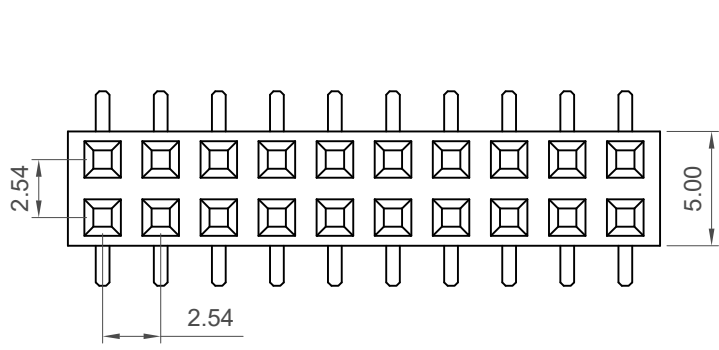


H
G
F
E
D
C
B
A



Specifications

Material
 Contact: Copper Alloy
 Insulator Material:
 Standard: Polyamide, Nylon 6T, UL 94V-0
 Options: Polymer, LCP, UL 94V-0

Plating
 See Ordering Grid

Electrical
 Current Rating: 3 Amp per pin
 Insulator Resistance: 1000 MΩ min.
 Contact Resistance: 20 mΩ max.
 Dielectric Withstanding: AC 600 V

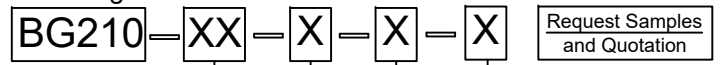
Environmental & Mechanical
 Operating Temperature: -40° to +105°C

Soldering Process:
 Nylon 6T (Standard) -
 IR Reflow: 260°C for 10 sec.
 Wave: 230°C for 5-10 sec.
 Manual Solder: 350°C for 3-5 sec
 LCP (Option) -
 IR Reflow: 260°C for 10 sec.
 Wave: 250°C for 5-10 sec.
 Manual Solder: 350°C for 3-5 sec

Mates with (Subject to pin length)
 BG025 BG040 BG041 BG045
 BG050 BG065 BG066 BG070
 BG085

No. of Contacts	Dimension	
	A	B
4	2.54	5.58
6	5.08	8.12
8	7.62	10.66
10	10.16	13.20
12	12.70	15.74
14	15.24	18.28
16	17.78	20.82
18	20.32	23.36
20	22.86	25.90
22	25.40	28.44
24	27.94	30.98
26	30.48	33.52
28	33.02	36.06
30	35.56	38.60
32	38.10	41.14
34	40.64	43.68
36	43.18	46.22
38	45.72	48.76
40	48.26	51.30
42	50.80	53.84
44	53.34	56.38
46	55.88	58.92
48	58.42	61.46
50	60.96	64.00
52	63.50	66.54
54	66.04	69.08
56	68.58	71.62
58	71.12	74.16
60	73.66	76.70
62	76.20	79.24
64	78.74	81.78
66	81.28	84.32
68	83.82	86.86
70	86.36	89.40
72	88.90	91.94
74	91.44	94.48
76	93.98	97.02
78	96.52	99.56
80	99.06	102.10

Ordering Grid



No. of Contacts
04 to 80

Packing Options

Contact Plating

A = Gold Flash All Over (Standard)
B = Selective Gold Flash Contact Area /Tin On Tail
C = Tin All Over
G = 10µ" Gold Contact Area/Tin On Tail
I = 30µ" Gold Contact Area/Tin On Tail

C = Tape and Reel with Film (Standard)
B = Tape and Reel with Cap
D = Tube
E = Tube with Cap
F = Tube with Film

Insulator Material

N = Nylon 6T (Standard)
L = LCP

Part Number BG210		Product Description 2.54mm Pitch Socket, Dual Row, Surface Mount, Vertical	
Drawing Date 30th October 2006			
By CC		Tolerances (Except as Noted)	Units: Metric (mm)
Detail BG210 C PCN		Length X ± 0.30	Angle X° ± 5°
Revision C3		X.X ± 0.20	X.X° ± 2°
Date 28/06/21		X.XX ± 0.15	X.XX° ± 1°
		X.XXX ± 0.10	X.XXX° ± 0.5°



This drawing is confidential and copyright of Global Connector Technology, Ltd (GCT). This drawing must not be copied or disclosed without written consent. E & OE



Not to Scale	Drawn By LYH	Sheet No. 1/1
--------------	-----------------	------------------