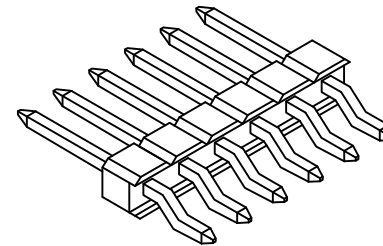


**Recommended PCB Layout**

General Tolerance:  $\pm 0.05$

Solder Area



**Specifications**

**Material**

Insulator: Polymer, LCP 30% glass filled,  
Natural, UL94V-0  
Contact: Copper Alloy

**Plating**

Underplating:  $30\mu$ "- $50\mu$ " Nickel all over  
Contact Area: See ordering grid

**Electrical**

Current Rating: 3A per pin  
Contact Resistance: 20 m $\Omega$  max.  
Insulating Resistance: 1000 M $\Omega$  min.  
Dielectric Withstand Voltage: 500V AC

**Mechanical & Environmental**

Operating Temperature:  $-40^{\circ}\text{C}$  to  $+105^{\circ}\text{C}$

**Soldering Process:**

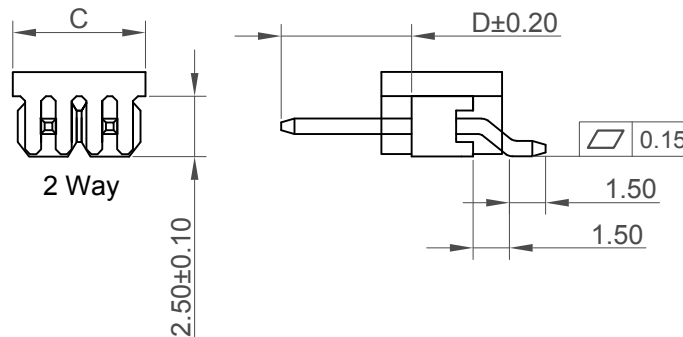
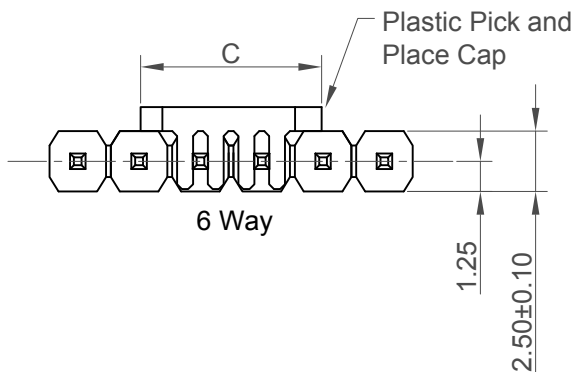
IR Reflow:  $260^{\circ}\text{C}$  for 10 secs  
Manual Solder:  $350^{\circ}\text{C}$  for 3-5 secs

**Mates with:**

BG300 - Horizontal mating - Choose 5.4mm header pin length  
BG306 - Perpendicular mating - Choose 4.0mm header pin length -  
Higher MOQ may apply

**NOTES:**

Standard black version BG301 is BG080



CONTACTS	DIMENSIONS		
	A	B	C
02	5.08	2.54	5.50
03	7.62	5.08	7.50
04	10.16	7.62	7.50
05	12.70	10.16	7.50
06	15.24	12.70	7.50

**Ordering Grid**

**BG301** - **XX** - **X** - **XXXX** - **L** - **B** Request Samples and Quotation

No. of Contacts: 02 to 06

**Contact Plating**  
A = Gold Flash All Over  
B = Selective Gold Flash Contact Area/  
Tin On Tail  
C = Tin All Over  
(Other plating options available on request)

**Packing Options**  
B = Tape and Reel with Cap  
(MOQ 1,000 pcs on 5.4mm post length)  
(check with GCT for MOQ on 4.0mm post length)

**Insulator Material**  
L = LCP (Natural)

**Dimension D - Post Length**  
**0400 = 4.00mm (Standard when mating with BG306)**  
**0540 = 5.40mm (Standard when mating with BG300)**  
or Specify Custom Post Length  
eg 0250 = 2.50mm  
(Maximum 3000=30.00mm)  
(Minimum 0100=1.00mm)

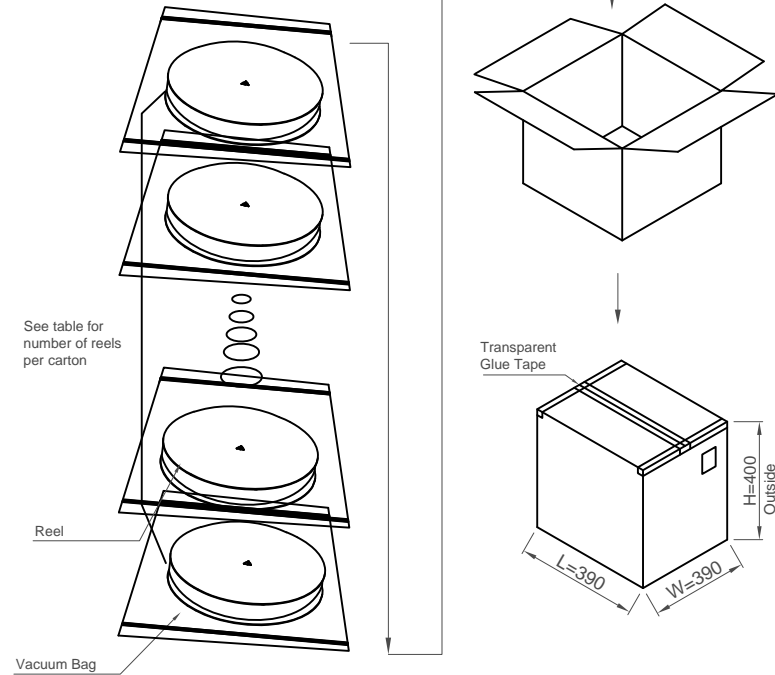
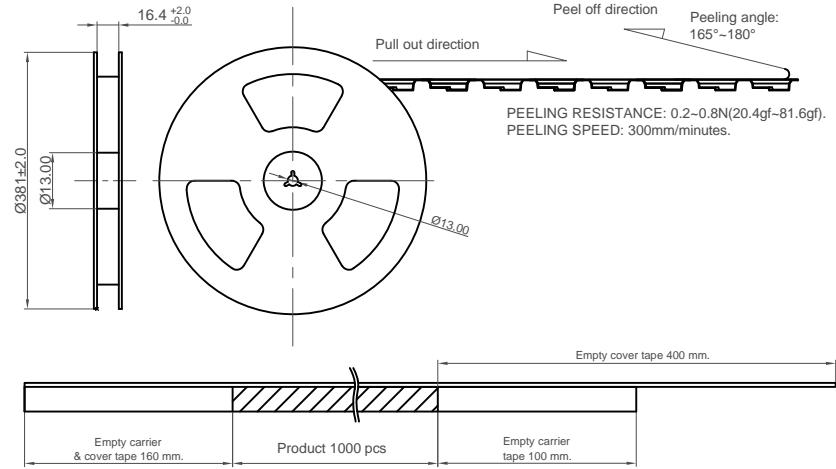
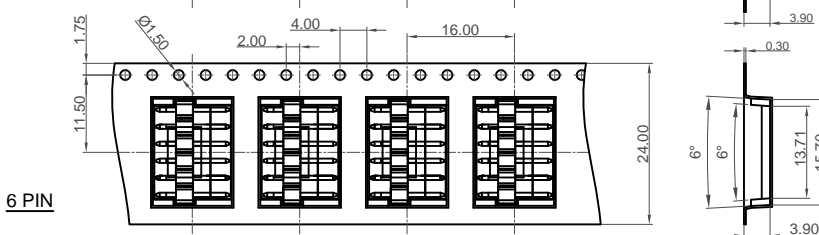
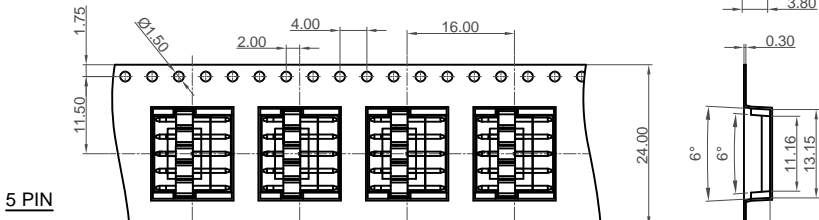
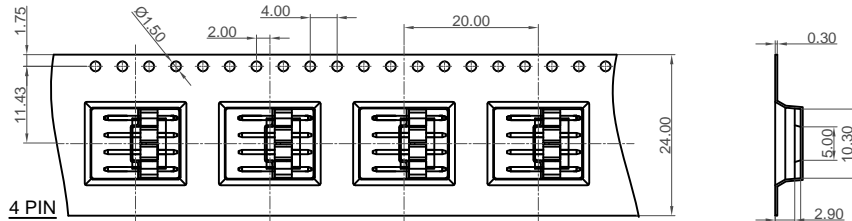
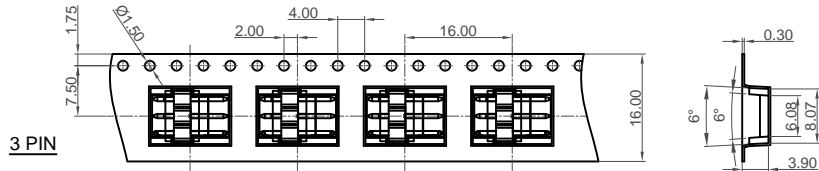
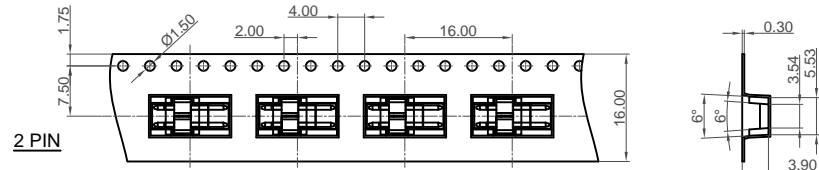
Part Number		Product Description	
BG301		2.54mm Pitch Pin Header, Single Row, Surface Mount, Horizontal, without Locating Peg, Natural LCP	
Drawing Date		7th December 2011	
By	CC	Tolerances (Except as Noted)	Units:
Detail	BG301 C PCN	Length Angle	Metric (mm)
Revision	C5	X.X $\pm 0.30$ X.XX $\pm 0.20$	<b>RoHS COMPLIANT 2011/65/UEU</b> Deca-BIDE
Date	24/02/21		This drawing is confidential and copyright of Global Connector Technology, Ltd (GCT). This drawing must not be copied or disclosed without written consent. E & OE



www.gct.co

Not to Scale	Drawn By CM	Sheet No. 1/2
--------------	----------------	------------------

FOR 5.40mm PIN LENGTH ONLY



PINS	UNITS/REEL	REELS PER CARTON	CARTON	TOTAL CARRIER TAPE LENGTH
2 & 3	1000 PCS	16	16,000	16.5 m
4	1000 PCS	10	10,000	20.7 m
5 & 6	1000 PCS	10	10,000	16.5 m

Part Number		Product Description	
BG301		2.54mm Pitch Pin Header, Single Row, Surface Mount, Horizontal, without Locating Peg, Natural LCP	
Drawing Date		7th December 2011	
By	CC	Tolerances (Except as Noted)	Units:
Detail	BG301 C PCN	Length	Metric (mm)
Revision	C5	Angle	3rd Angle Projection
Date	24/02/21		



This drawing is confidential and copyright of Global Connector Technology, Ltd (GCT). This drawing must not be copied or disclosed without written consent. E & OE



Not to Scale Drawn By CM Sheet No. 2/2