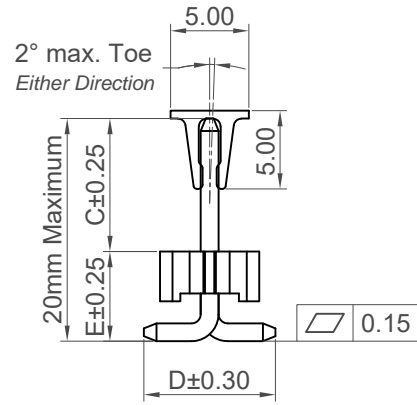
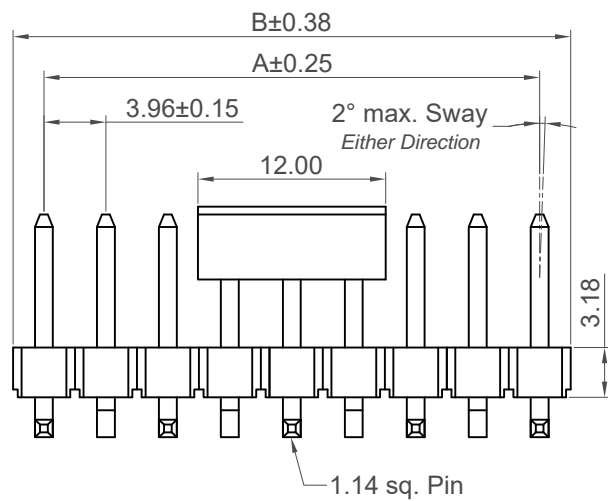


Number of Contacts	Dimensions	
	A	B
2	3.96	7.92
3	7.92	11.88
4	11.88	15.84
5	15.84	19.80
6	19.80	23.76
7	23.76	27.72
8	27.72	31.68
9	31.68	35.64
10	35.64	39.60
11	39.60	43.56
12	43.56	47.52
13	47.52	51.48
14	51.48	55.44
15	55.44	59.40
16	59.40	63.36
17	63.36	67.32
18	67.32	71.28

Recommended PCB Layout
General Tolerance ± 0.05
Solder Area



Specifications

Material
Insulator: LCP, UL94V-0
Contact: Brass

Plating
Contact: Tin All Over
Underplating: Nickel all over

Electrical
Current Rating: 7.9 Amp Per Pin
Contact Resistance: 30 mΩ max.
Insulation Resistance: 1000 MΩ min.
Dielectric Withstand Voltage: 1000 V AC

Mechanical & Environmental
Operating Temperature: -40°C to +105°C
Soldering Process
IR Reflow: 260°C for 10 sec.
Manual Solder: 350°C for 3-5 sec

Mates with (Subject to Pin Length)
BH015

Ordering Grid

BH010	XX	C	XXXX	XXXX	XXXX	X	Request Samples and Quotation
-------	----	---	------	------	------	---	-------------------------------

No. of Contacts
02 to 18

Contact Plating
C= Tin All Over

Dimension C (1/100mm) (Post Height)
0850 = 8.50mm (Standard)
Or specify Custom Post Height
(Maximum 1500=15.00mm)
(Minimum 0050=0.50mm)

Dimension E (1/100mm) (PCB to Top of Insulator)
0573 = 5.73mm (Standard)
Or specify custom dimension
(Minimum 0482=4.82mm)

Dimension D (1/100mm) (Footprint Width)
0840 = 8.40mm (Standard)
Or specify Custom Footprint Width (Tooling charge may apply)

Packing Options
E = Tube with Cap (Standard)
(Available from 3 contacts and above)
D = Tube (Available from 3 contacts and above)
G = Box

Part Number		Product Description	
BH010		3.96mm Pitch Pin Header, Single Row, Surface Mount, Vertical	
Drawing Date		10th August 2017	
By	CC	Tolerances (Except as Noted)	Units:
Detail	Drawing Release	Length: X. ± 0.30 X.X ± 0.25 X.XX ± 0.15 X.XXX ± 0.10	Metric (mm)
Revision	A1	Angle: X.° ± 5° X.X° ± 3° X.XX° ± 2° X.XXX° ± 1°	RoHS COMPLIANT 2011/65/UE Deca-BDE
Date	14/07/21	3rd Angle Projection	This drawing is confidential and copyright of Global Connector Technology, Ltd (GCT). This drawing must not be copied or disclosed without written consent. E & OE

GCT
www.gct.co

Not to Scale
Drawn By CC
Sheet No. 1/1