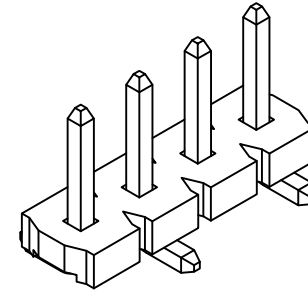
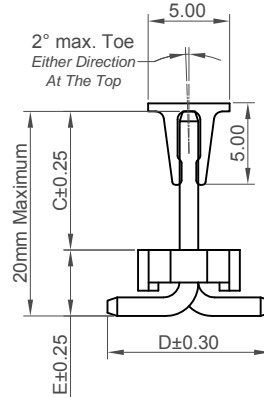
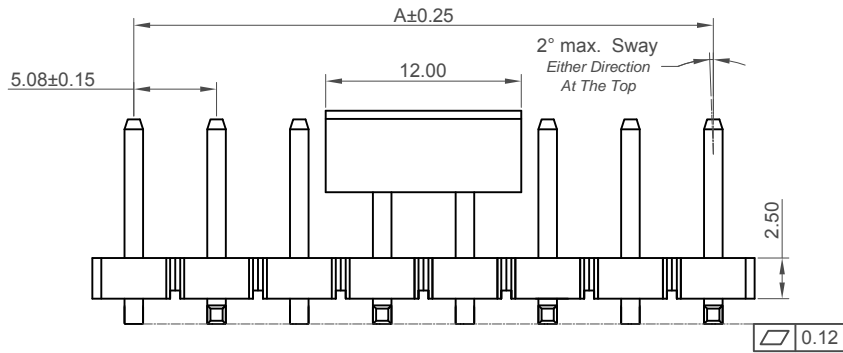


**Recommended PCB Layout**  
 General Tolerance  $\pm 0.05$   
 ▨ Solder Area



Number of Contacts	Dimensions	
	A	B
2	5.08	10.16
3	10.16	15.24
4	15.24	20.32
5	20.32	25.40
6	25.40	30.48
7	30.48	35.56
8	35.56	40.64
9	40.64	45.72
10	45.72	50.80
11	50.80	55.88
12	55.88	60.96
13	60.96	66.04
14	66.04	71.12
15	71.12	76.20



**Specifications**

**Material**  
 Insulator: LCP, UL94V-0  
 Contact: Brass

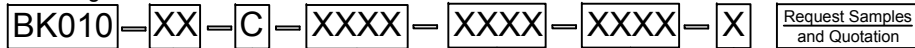
**Plating**  
 Contact: Tin All Over  
 Underplating: Nickel all over

**Electrical**  
 Current Rating: 7.9 Amp Per Pin  
 Contact Resistance: 30 mΩ max.  
 Insulation Resistance: 1500 MΩ min.  
 Dielectric Withstand Voltage: 1500 V AC

**Mechanical & Environmental**  
 Operating Temperature: -40°C to +105°C  
**Soldering Process**  
 IR Reflow: 260°C for 10 sec.  
 Manual Solder: 350°C for 3-5 sec

Mates with (Subject to Pin Length)  
 BK015

**Ordering Grid**



No. of Contacts  
 02 to 15

Contact Plating  
 C= Tin All Over

Dimension C (1/100mm) (Post Height)  
**0850 = 8.50mm (Standard)**  
 Or specify Custom Post Height  
 (Maximum 1500=15.00mm)  
 (Minimum 0050=0.50mm)

**Packing Options**

**E = Tube with Cap (Standard)**  
*(Available from 3 contacts and above)*  
**D = Tube (Available from 3 contacts and above)**  
**G = Box (Only available in 2 contacts)**

Dimension E (1/100mm) (PCB to Top of Insulator)  
**0405 = 4.05mm (Standard-Minimum)**  
 Or specify custom dimension

Dimension D (1/100mm) (Footprint Width)  
**1000 = 10.00mm (Standard)**  
 Or specify Custom Footprint Width  
 (Tooling charge may apply)

Part Number		Product Description	
BK010		5.08mm Pitch Pin Header, Single Row, Surface Mount, Vertical	
Drawing Date		10th August 2017	
By	CC	Tolerances (Except as Noted)	Units:
Detail	Drawing Release	Length X. ± 0.30 X.X ± 0.25 X.XX ± 0.15 X.XXX ± 0.10	Angle X.° ± 5° X.X° ± 3° X.XX° ± 2° X.XXX° ± 1°
Revision	A	Metric (mm)	
Date	16/08/17		

This drawing is confidential and copyright of Global Connector Technology, Ltd (GCT). This drawing must not be copied or disclosed without written consent. E & OE



Not to Scale	Drawn By CC	Sheet No. 1/1
--------------	----------------	------------------