

**Specifications 规格**

**Electrical 电气**

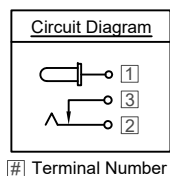
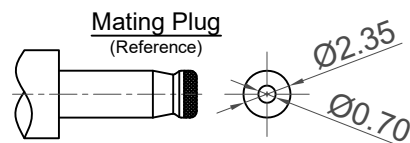
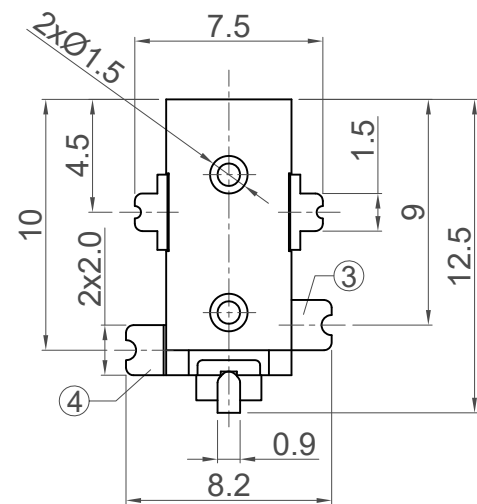
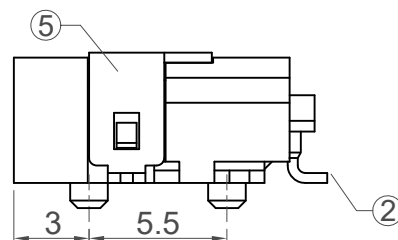
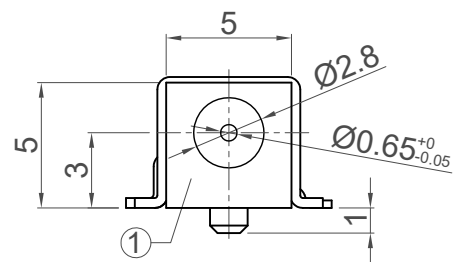
- Voltage Rating** 电压额定值: 16 V DC
- Current Rating** 电流额定值: 2.5 Amp
- Insulation Resistance** 绝缘电阻值: 100 MΩ min.
- Dielectric Withstanding** 耐电压: 500 V AC
- Contact Resistance** 接触电阻值: 50 mΩ max.

**Mechanical & Environmental 机械 & 环境**

- Operating Temperature** 工作温度: -20°C to +70°C
- Durability** 耐久性: 5,000 cycles min.

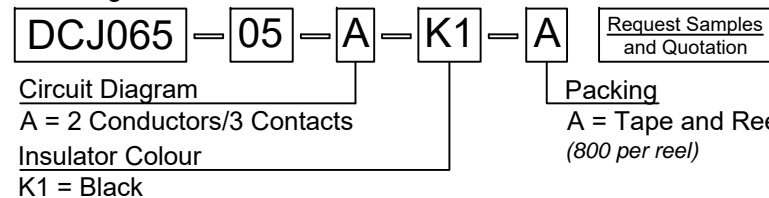
**Recommended PCB Layout**  
(Tolerance: ±0.05mm)

■ Solder Area □ Component Outline



No.	Description	Material	Q'ty
①	Housing	PA9T, UL94 V-0, Black	1
②	Centre Pin	① Brass, Silver plating	1
③	Tip Spring	② Stainless Steel, T=0.25mm, Silver plating	1
④	Shunt Terminal	③ Brass, T=0.4mm, Silver plating	1
⑤	Shell	④ Brass, T=0.4mm, Silver plating	1

**Ordering Grid**



Part Number DCJ065-05		Product Description DC Power Jack, SMT, Horizontal, w/Locating Pegs		<b>GCT</b> www.gct.co
Drawing Date 18th December 2014		Ø0.65mm Pin mates with Ø0.70mm Plug		
By AJO	Tolerances (Except as Noted) Length: ±0.3 Angle: ±2°	Units: Metric (mm)	  <small>This drawing is confidential and copyright of Global Connector Technology, Ltd (GCT). This drawing must not be copied or disclosed without written consent. E &amp; OE</small>	
Detail DCJ065-05 B PCN	Date 20/01/16	Not to Scale	Drawn By AJO	Sheet No. 1/2

Part Number	Pcs/Reel	Reels/Carton	Cartons/Box	Pcs/Box
DCJ065-05	800	12	6	9600

Net Weight/Carton: 5.568kg, Gross Weight/Carton: 10.42kg

Fig 1.

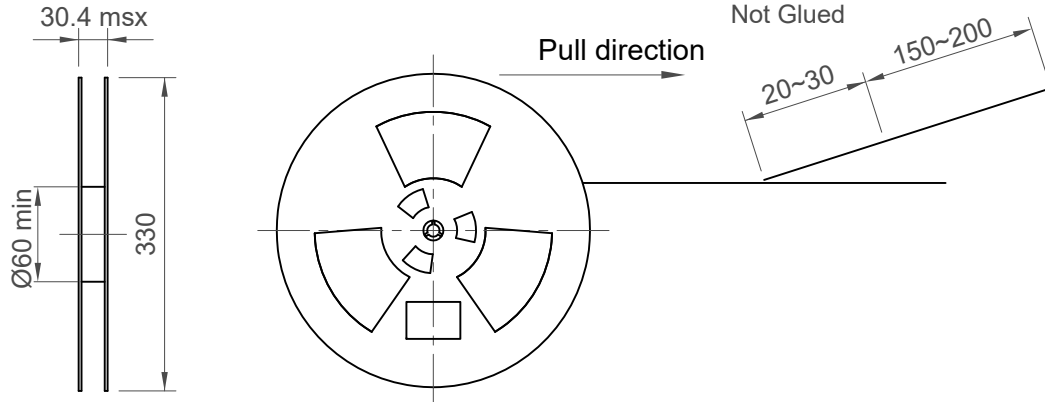
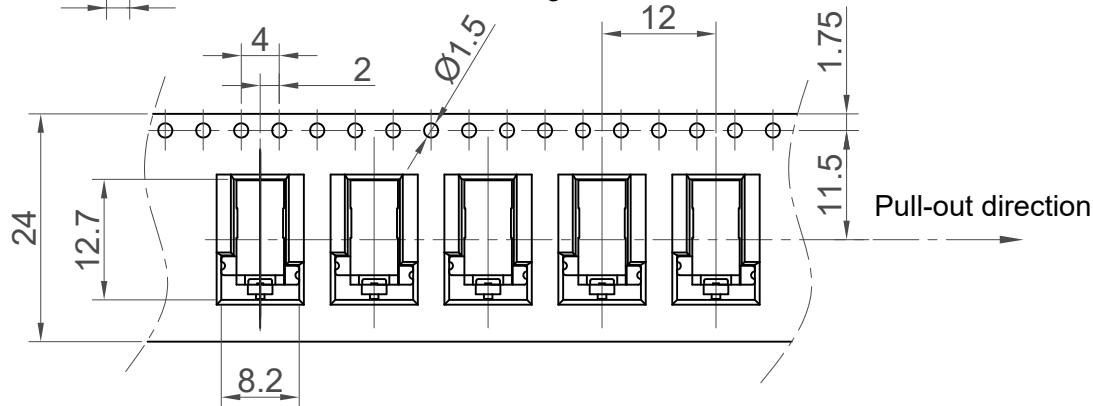


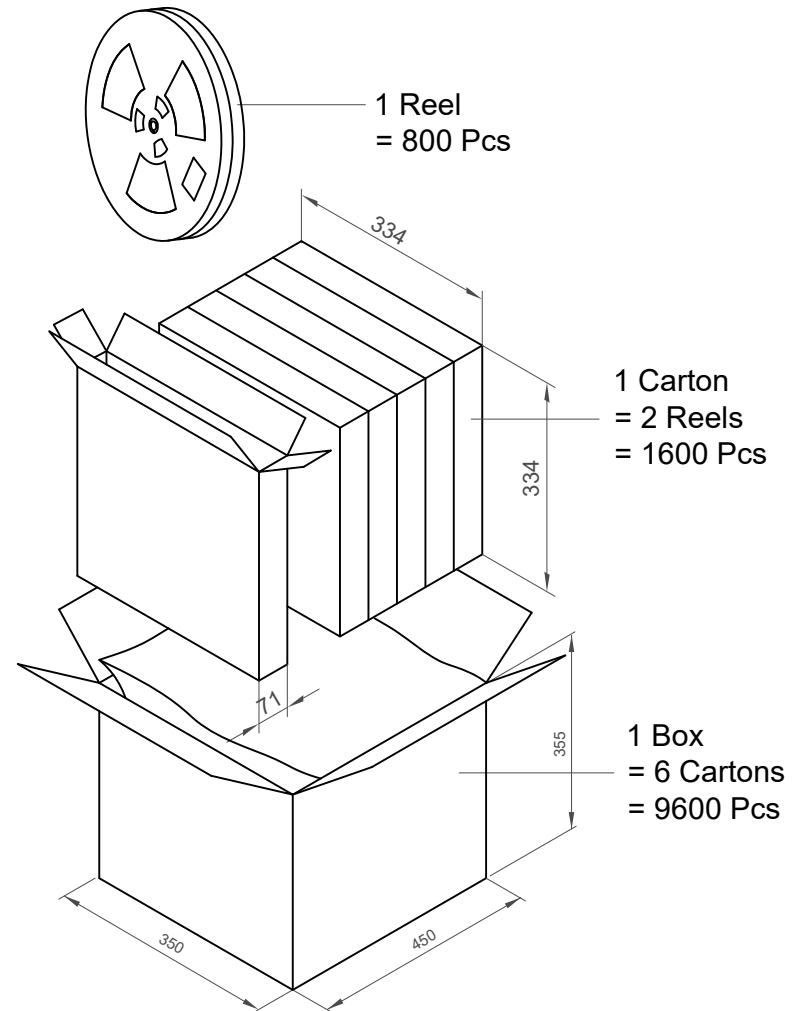
Fig 2.



**REMARK:**

- The connector can not be loaded on the position of length 240~360mm in the reel tape and lead tape. The cover tape with 20~30mm length shall not be adhesive on the lead tape and the cover tape is lead portion shall have 150~200mm length (Refer FIG 1).
- Tape shall turn on right direction.
- The direction of connector is fixed regarding the position of terminal, please refer outline drawing (Refer FIG 2).
- After winding, using the adhesive tape (30~50mm) to stick the leader of cover tape on the side of reel.
- One reel can be loaded 800 pcs connector.
- The label shall be pasted on the front side of reel (Refer FIG 3).
- Condition of 300mm per minute, the extraction strength of cover tape shall reach 20~150 gf.
- If the quantity is less than 6 reels per carton, the packing shall be able to resist shaking.

Fig 3.



Part Number DCJ065-05		Product Description DC Power Jack, SMT, Horizontal, w/Locating Pegs			www.gct.co
Drawing Date 18th December 2014		Ø0.65mm Pin mates with Ø0.70mm Plug			
By AJO	Tolerances (Except as Noted) Length Angle	Units: Metric (mm)	<p>This drawing is confidential and copyright of Global Connector Technology, Ltd (GCT). This drawing must not be copied or disclosed without written consent. E &amp; OE</p>		
Detail DCJ065-05 B PCN					
Revision B1					
Date 20/01/16					
Not to Scale		Drawn By AJO	Sheet No. 2/2		