

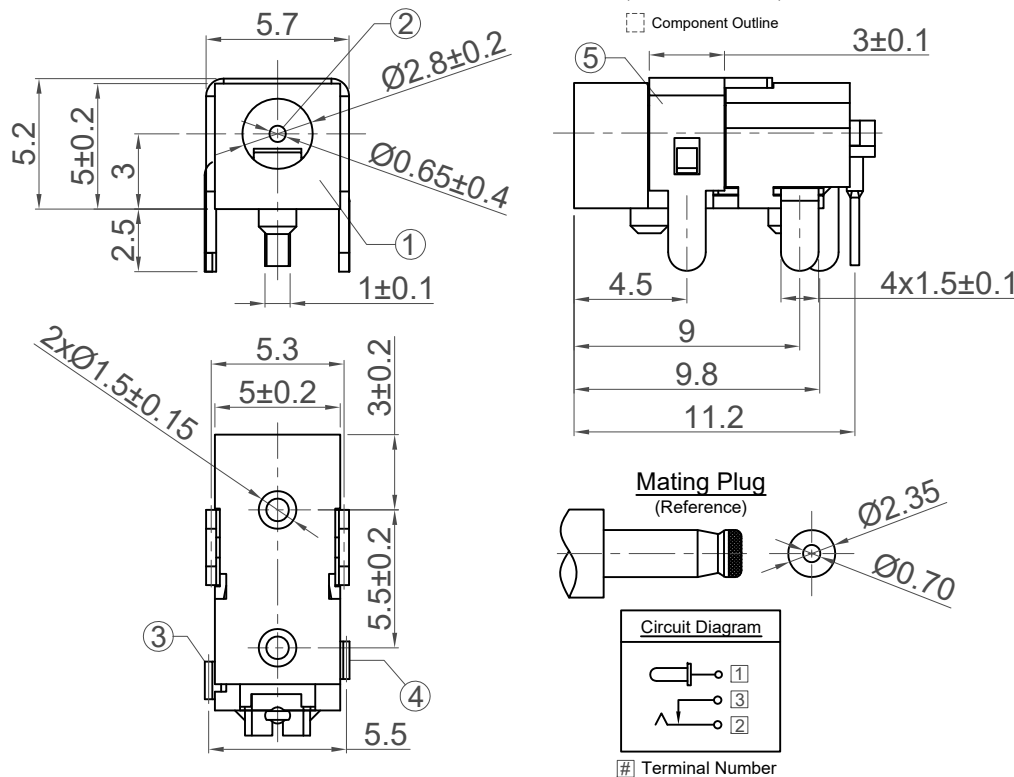
Specifications 规格

Electrical 电气规格

Voltage Rating 电压额定值: 16 V DC
 Current Rating 电流额定值: 2.5 Amp
 Insulation Resistance 绝缘电阻值: 100 MΩ min.
 Dielectric Withstanding 耐电压: 500 V AC
 Contact Resistance 接触电阻值: 30 mΩ max.

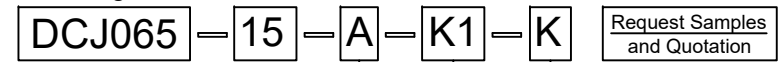
Mechanical & Environmental 机械 & 环境

Operating Temperature 工作温度: -20°C to +70°C
 Durability 耐久性: 5,000 cycles min.



No.	Description	Material	Q'ty
①	Housing	PBT, UL94 V-0, Black	1
②	Centre Pin	① Bronze, Silver plating	1
③	Tip Spring	② Stainless Steel, T=0.25mm, Silver plating	1
④	Shunt Terminal	③ Brass, T=0.3mm, Silver plating	1
⑤	Shell	④ Brass, T=0.4mm, Silver plating	1

Ordering Grid



Circuit Diagram

A = 2 Conductors/3 Contacts

Insulator Colour

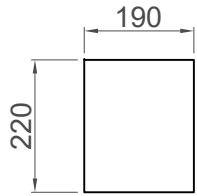
K1 = Black

Packing

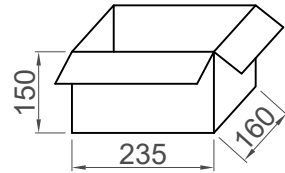
K = Bag
 (1000 per bag)

Part Number DCJ065-15		Product Description DC Power Jack, Thru-Hole, Horizontal, w/Locating Pegs		 www.gct.co
Drawing Date 22nd June 2015		Ø0.65mm Pin mates with Ø0.70mm Plug		
By AJO	Detail Drawing Release	Tolerances (Except as Noted) Length: ± 0.3	Angle: ± 2°	Units: Metric (mm)
Revision A	Date 22/06/15	 		This drawing is confidential and copyright of Global Connector Technology, Ltd (GCT). This drawing must not be copied or disclosed without written consent. E & OE
Not to Scale		Drawn By AJO	Sheet No. 1/2	

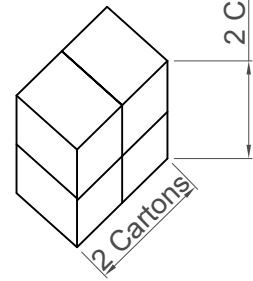
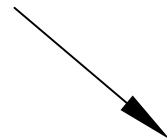
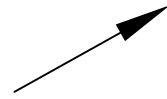
Part Number	Pcs/Bag	Bags/Carton	Cartons/Box	Pcs/Box
DCJ065-15	1000	5	4 or 6	20k or 30k



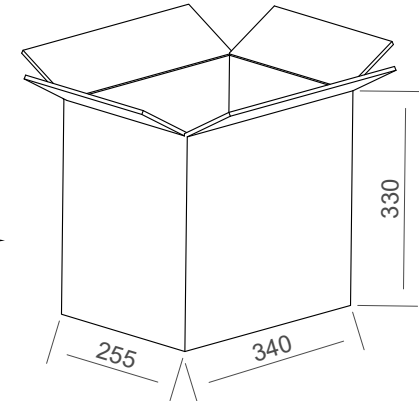
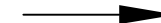
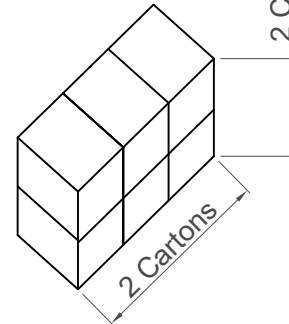
PE Bag = 1000pcs



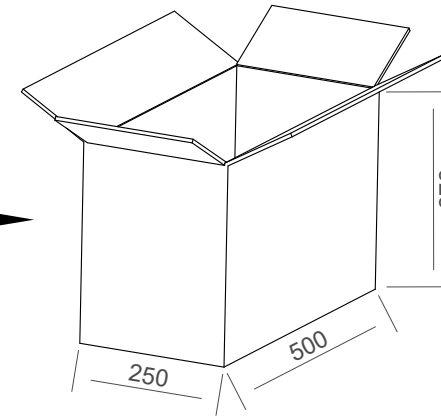
Carton
= 1000pcs x 5 bags
= 5000pcs







Packaged at
GCT's discretion



Box
= 4 cartons x 5000 pcs
= 20,000pcs



Box
= 6 cartons x 5000 pcs
= 30,000pcs

Part Number		Product Description		 www.gct.co
DCJ065-15		DC Power Jack, Thru-Hole, Horizontal, w/Locating Pegs		
Drawing Date		Ø0.65mm Pin mates with Ø0.70mm Plug		
22nd June 2015				
By	AJO	Tolerances (Except as Noted)	Units: Metric (mm)	  This drawing is confidential and copyright of Global Connector Technology, Ltd (GCT). This drawing must not be copied or disclosed without written consent. E & OE
Detail	Drawing Release			
Revision	A	 3rd Angle Projection		
Date	22/06/15			Not to Scale Drawn By AJO Sheet No. 2/2